

Technical Data

Specifications & Capacities

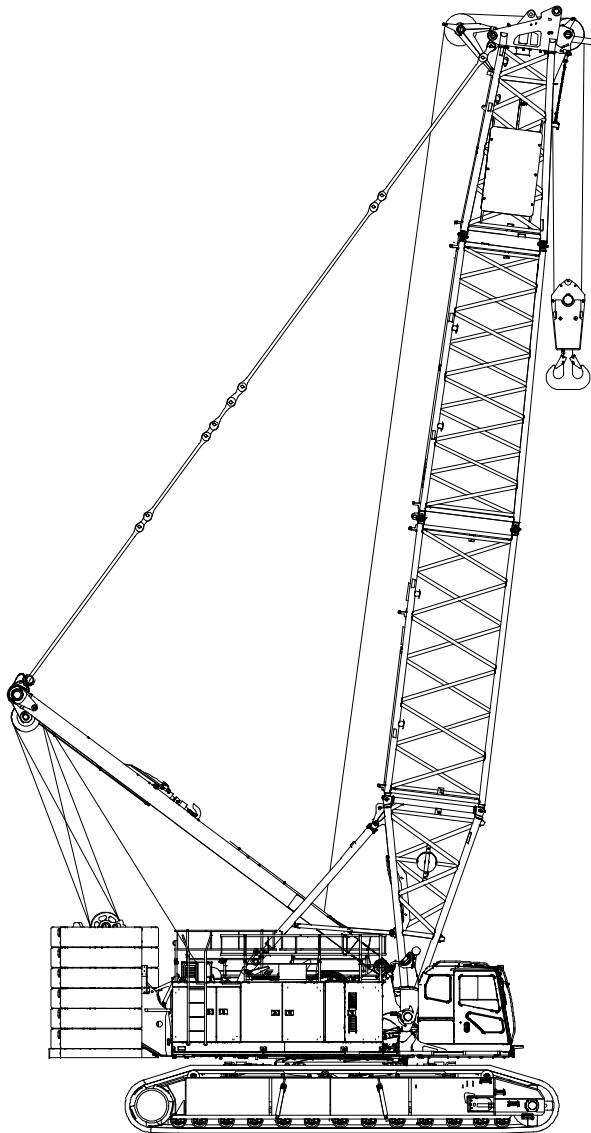
348

HYLAB

SERIES 2

Crawler Crane

300 Ton (272.16 metric ton)



CAUTION: This material is supplied for reference use only. Operator must refer to in- cab Crane Rating Manual and Operator's Manual to determine allowable crane lifting capacities and assembly and operating procedures.

Table Of Contents

Upper Structure	1
Frame	1
Engine	1
Hydraulic System	1
Load Hoist Drums	1
Optional Front- Mounted Third Hoist Drum	1
Boom Hoist Drum	2
Boom Hoist System	2
Swing System	2
Counterweight	2
Operator Cab	2
Rated Capacity Limiter System	2
Machinery Cab	2
Catwalks	2
Lower Structure	3
Carbody	3
Side Frames	3
Counterweight	3
Travel and Steering	3
Jack System	3
Attachment and Options	4
Heavy Duty Boom	4
Long Range Boom	4
Fixed Jib	4
Long Range Auxiliary Tip Extension	4
Heavy Duty Auxiliary Tip Extension	4
Luffing Attachment	4
Dimensions	5
Base Crane	6
Side Frames	6
Upper Counterweights	7
Lower Counterweights	8
Boom	9
Jib/Fixed Jib	12
Hook Balls	13
Hook Blocks	13
Assembly Diagram	16
Working Weights	16
Transport Weights	17
Transport Drawings	18
Load Hoist Performance	21
Working Areas	22
Attachments	23

Heavy Duty Boom	25
Boom Make- Up	25
Working Range Diagram - Heavy Duty Boom - Extended Gauge	26
Heavy Duty Boom Load Chart - Extended Gauge	27
Working Range Diagram - Heavy Duty Boom - Retracted Gauge	28
Heavy Duty Boom Load Chart - Retracted Gauge	29
Long Range Boom	30
Boom Make- Up	30
Working Range Diagram - Long Range Boom - Extended Gauge	31
Long Range Boom Load Chart - Extended Gauge	32
Working Range Diagram - Long Range Boom - Retracted Gauge	33
Long Range Boom Load Chart - Retracted Gauge	34
Jib Attachment Load Chart - Extended Gauge + 40 ft (12.9m)	35
Jib Attachment Load Chart - Extended Gauge + 100 ft (30.48m)	36
Jib Attachment Load Chart - Extended Gauge + 140 ft (42.67m)	37

Upper Structure

Frame

All welded steel frame with precision machined surfaces for mating parts.

Turntable Bearing

- Inner race with internal swing gear is bolted to lower frame.
- Outer race is bolted to upper frame.

Engine

Engine

Full pressure lubrication, oil filter, air cleaner, hour meter, throttle, and electric control shutdown.

Specification	Cummins QSL9	
	Tier 4f/ Stage IV ⁽¹⁾	Tier 3/ Stage IIIA ⁽²⁾
Emissions Compliance Level:		
Numbers of Cylinders	6	6
Cycle	4	4
Bore & Stroke: inch (mm)	4.49 x 5.69 (114 x 145)	4.49 x 5.69 (114 x 145)
Piston Displacement: in ³ (L)	543 (8.90)	543 (8.90)
Max. Brake Horsepower: hp (kW)	320 (239) @ 1,800 rpm	325 (242) @ 1,800 rpm
Peak Torque: ft lb (Nm)	1,050 (1 424) @ 1,500 rpm	1,050 (1 424) @ 1,500 rpm
Electrical System	24 volt	24 volt
Fuel Tank Capacity	134 gal (507L)	134 gal (507L)
Electric/starting systems: volts	12/12	12/12
Alternator: amps	160	160
Crankcase Capacity: qt (L)	24 (22.7)	24 (22.7)
<ul style="list-style-type: none"> • Water/fuel separator w/ heater and water in fuel (WIF) sensor • 120- volt block heater • Grid heater - 200 amp • ⁽¹⁾ Can only be sold and/or operated where Tier 4f and Stage IV off- high way emission standards are accepted. • ⁽²⁾ Can only be sold and/or operated where Tier 3 and Stage IIIA off- high way emission standards are accepted. 		

Fuel Tank

Equipped with fuel sight level gauges, flame arrester, and self- closing cap with locking eye for padlock.

Hydraulic System

Hydraulic Pumps

The pump arrangement is designed to provide hydraulically powered functions allowing positive, precise control with independent or simultaneous operation of all crane functions.

- Two variable displacement pumps operating at 4,553 psi (320kg/cm²) and 74 gal/min (280L/min) powers load hoist drums, boom hoist drum, optional third drum, live mast self assembly cylinder, and travel.
- One variable displacement pump operating at 4,480 psi (315kg/cm²) and 42.3 gal/min (160L/min) powers the swing motors, live mast flip, and counterweight removal, lower jacks, and side frame pinning.
- Dual fixed displacement gear type pump operating at 3,243 psi (228kg/cm²) and 15.9 gal/min (60L/min) powers the boom backstop, boom foot pinning, cab tilt, and drum brake cooling (optional) and 996 psi (70 kg/cm²) and 10.8 gal/min (41L/min) powers pilot.
- One fixed displacement gear type pump operating at 2,987 psi (210kg/cm²) and 8.5 gal/min (32L/min) powers the reeving winch (optional).
- One fixed displacement gear type pump operating at 1,427 psi (100kg/cm²) and 11.7 gal/min (44L/min) powers the oil cooler fan.

Hydraulic Reservoir

84.5 gal (320L), equipped with sight level gauge. Diffusers built in for deaeration.

Filtration

Ten micron, full flow, line filter in the control circuit. All oil is filtered prior to entering the reservoir.

Counterbalance Valves

All hoist motors are equipped with counterbalance valves to provide positive load lowering and prevent accidental load drop if the hydraulic pressure is suddenly lost.

Load Hoist Drums

Each drum contains an axial piston, variable speed hydraulic motor with individual automatic winch motor brakes.

- Power up/down operation modes
- Optional wet- type free- fall brake system
- Automatic brake mode (spring applied, hydraulically released, wet type brake)
- Drum lagging grooved for wire rope
- Drum pawl controlled manually
- Electronic drum rotation indicators
- Drum rotation direction indicators
- Mounted on anti- friction bearings
- 24.46 in (0.62m) root diameter
- 41.34 in (1.05m) flange diameter
- 35.30 in (0.90m) width

The optional free- fall operation mode is designed to prevent load lowering even if the free- fall switch is accidentally activated.

The automatic brake mode meets all OSHA requirements for personnel handling.

Optional Front- Mounted Third Hoist Drum

The hydraulic winch is mounted in the boom base section and is used in conjunction with a deflector roller and three sheave assembly to run the wire rope over the boom top section.

- Power up/down operation mode
- Automatic brake mode (spring applied, hydraulically released)
- Drum lagging grooved for wire rope
- Electronic drum rotation indicator
- Mounted on anti- friction bearings
- High and low speed
- 18.69 in (475mm) root diameter
- 3.66 in (855mm) flange diameter
- 32.09 in (815mm) width

Boom Hoist Drum

Contains a pilot controlled, bi- directional, axial piston motor and a planetary gear reduction unit to provide positive control under all load conditions.

- Spring applied, hydraulically released, disc type brake controlled automatically
- Drum pawl controlled automatically
- Mounted on anti- friction bearings
- 24.17 in (614mm) root diameter
- 37.80 in (960mm) flange diameter
- 13.43 in (341mm) width

Boom Hoist System

Designed to lift off maximum boom or maximum boom plus jib and maximum luffing attachment unassisted. Operates up to a maximum boom angle of 83°. Boom hoist limit system limits maximum boom angle operation.

- 24- part reeving with 26mm wire rope
- Bridle assembly
- 32 ft (9.75m) Live mast
- Hydraulic tubular boom backstops
- Sheaves contain sealed anti- friction bearings
- Boom speed from 10° - 70° is 69 seconds with no load. Speed was determined using 100 ft (30.48m) of tube boom.

Swing System

Pilot controlled bi- directional axial piston motors and planetary gear reduction units to provide positive control under all load conditions.

- Spring applied, hydraulically released, 360° multi- plate brake
- Free swing mode when lever is in neutral position
- Four position positive house lock
- Two- speed swing
- Audio/Visual swing alarm
- Maximum swing speed is 1.5 rpm

Counterweight

Counterweight consists of a 13- piece upper counterweights that can be easily lowered to the ground using a hydraulic counterweight removal system.

- “A” upper counterweight consists of one, 36,100 lb (16 375kg) base slab, two 16,670 lb (7 560kg) and two 15,240 lb (6 910kg).
- “AB” counterweight consists of one, 36,100 lb (16 375kg) base slab, four, 16,670 lb (7 560kg) and four 15,240 lb (6 910kg).
- “ABC” counterweight consists of one, 36,100 lb (16 375kg) base slab, six 16,670 lb (7 560 kg) and six 15,240 lb (6 910kg).

Total combined upper counterweight, “ABC” with hardware is 227,560 lb (103 219kg).

Operator Cab

Fully enclosed modular steel compartment is independently mounted and padded to protect against vibration and noise.

- All tinted/tempered safety glass
- Folding hinge entry door and sliding front glass window
- 19,830 BTU hot water heater
- 15,360 BTU air conditioner
- Door and window locks
- Sun visor
- Six way adjustable cloth seat
- Defroster
- Windshield wipers and washer
- Dry chemical fire extinguisher
- Engine instrumentation panel (voltmeter, engine oil pressure, engine water temperature, fuel level, hydraulic oil temperature, hour meter, and service monitor system)
- Electronic drum rotation indicators for front and rear hoist drums
- Hand and foot throttle
- Fully adjustable single axis controls
- Swing lever with swing brake and horn located on handle
- Swing brake foot pedal
- Bubble type level
- Ergonomic gauge layout
- Controls shut off lever
- Control stand is adjustable for operator comfort
- Tilting cab (0° - 20°)

Rated Capacity Limiter System

The HSL-1 rated capacity limiter system is a boom hoist load cell system. This system provides the operator with useful geometrical data, to include:

- Main Boom Length
- Main Boom Angle
- Luffing Jib Length
- Luffing Jib Angle
- Operating Mode
- Load Radius
- Boom Tip Height
- Audible Alarm
- Pre- Warning Light
- Overload Light
- Load On Hook
- Function kick- outs including over load
- Operator settable stops (ramped stops)
- Anti- Two Block Indicator

Machinery Cab

Hinged doors (five on right side, four on left side) for machinery access. Equipped with rooftop access ladder and skid resistant finish on roof.

Catwalks

Standard on right and left sides. Catwalks fold and pin or are removable for reduced travel width.

Lower Structure

Carbody

Lower Frame

All welded high strength steel [100,000 psi (689.48MPa) yield] box construction frame with precision machined surfaces for turntable bearing and rotating joint.

- 11 ft 2 in (3.2m) overall width
- 17 ft 9 in (5.41m) overall length

Side Frames

Side Frames

All welded, precision machined. Lower frame cross axles positioned by guiding pins and held in place with adjustable bolt supports.

- 19 ft 2 in (5.84m) retracted gauge
- 22 ft 0 in (6.71m) extended gauge
- 30 ft 8 in (9.35m) overall length
- 50 in (1.27m) wide track shoes - standard
- 60 in (1.52m) wide track shoes - optional
- Sealed (oil filled) idler and drive planetaries
- Compact travel drives
- Hydraulic self- adjusting track tension system

Track Rollers

- Thirteen sealed (oil filled) track rollers per side frame
- Four sealed auxiliary (carrier roller) track rollers per side frame

Tracks

Heat treated, self- cleaning, multiple hinged track shoes joined by two- piece full floating pins; 60 shoes per side frame

Take Up Idlers

Cast steel, heat treated, self- cleaning, mounted on aluminum bushings, lubricated through the idler shaft.

- **Track Tension Adjustment** - Idler adjusted by means of automatic track tension device. Hydraulic cylinder provides proper track tension. Track tension determined by stop bolt.

Counterweight

Carbody Counterweight

Lower counterweight consist of a 4- piece design.

- Two base slab counterweights, 20,700 lb (9 389kg)
- Two top counterweights, 17,000 lb (7 711kg)

Total combined carbody counterweight, is 75,400 lb (34 201kg).

Travel and Steering

Travel and Steering

Each side frame contains a pilot controlled, bi- directional, axial piston motor and a planetary gear reduction unit to provide positive control under all load conditions.

- Individual control provides smooth, precise maneuverability including full counter- rotation.
- Spring applied, hydraulically released disc type brake controlled automatically
- Axial piston motor with reduction gear is located at inner drive end of each side frame. Each track is driven simultaneously or individually for straight- line, gradual turn, or pivot turn.
- Maximum travel speed is 0.75 mph (1.20km/h).
- Designed to 30% gradeability

Jack System

System contains four hydraulic cylinders individually mounted on swing- out beams.

- Individual jack cylinders are operated by remote control.
- Minimum height of carbody when resting on pontoons is 17.4 in (44.2cm).
- Maximum height of carbody when resting on pontoons is 44.0 in (111.8cm).

Attachment and Options

Heavy Duty Boom 70- 300 ft (21.34- 91.44m)

Basic Boom

70 ft (21.34m) four- piece design that utilizes a 15 ft (4.57m) base section, 20 ft (6.10m) base extension, 20 ft (6.10m) tapered extension, and 15 ft (4.57m) top section with in- line connecting pins on 95 in (2.41m) wide and 80 in (2.03m) deep centers.

- Boom foot on 56.50 in (1.44m) centers
- 6 in (15.24cm) diameter tubular chords on base section and top section
- 5.25 in (13.34cm) diameter tubular chords on extensions
- Boom walkway
- Offset head sheaves
- Heavy duty boom tip section also acts as luffing boom top section
- Permanent stands mounted on top section to protect head machinery
- Seven 23 in (0.58m) root diameter poly- midide sheaves mounted on sealed anti- friction bearings
- Tip extension and fixed jib and luffing jib connecting lugs on top section
- Mechanical boom angle indicator

Heavy Duty Boom Extensions

The following table provides the lengths available and the suggested quantity to obtain maximum boom.

Heavy Duty Tube Boom Extensions		Quantity For Max Boom
ft	m	
“JC” Heavy Duty Boom		
20	6.10	2
30	9.14	1
40	12.19	4

- Midpoint pendant connections are required at 165 ft (50.29m) for boom lengths 250 ft (76.20m) through 300 ft (91.44m).
- Polyamide wear blocks on top of each extension
- Appropriate length bar pendants stored on extension
- Maximum tip height of 305 ft (92.96m)
- Boom connecting pin storage on each extension

Long Range Boom 85- 355 ft (25.91- 108.20m)

Basic Boom

85 ft (25.91m) four- piece design that utilizes a 15 ft (4.57m) base section, 20 ft (6.10m) base extension, 20 ft (6.10m) tapered extension, and 30 ft (9.14m) long range top section with in- line connecting pins on 80 in (2.03m) wide and 68 in (1.73m) deep centers.

- Boom walkway
- Six 21 in (0.53m) root diameter poly- midide sheaves mounted on sealed anti- friction bearings
- Tip extension and fixed jib connecting lugs on top section
- Long range boom is luffing jib for luffing attachment

Long Range Boom Extensions

The following table provides the lengths available and the suggested quantity to obtain maximum boom.

Boom Extensions		
ft	m	Quantity For Max Boom
“JC” Heavy Duty Boom		
20	6.10	1
30	9.14	1
40	12.19	2
“FE” Long Range Boom		
10	3.05	1
20	6.10	1
30	9.14	1
40	12.19	2

- Midpoint pendant connections are required at 165 ft (50.29m) for boom lengths 225 ft (68.58m) through 355 ft (108.20m).
- Polyamide wear blocks on top of each extension
- Appropriate length bar pendants stored on extension
- Maximum tip height of 360 ft (109.73m)
- Boom connecting pin storage on each extension

Fixed Jib 40- 140 ft (12.19- 42.67m)

Basic Tube Jib

40 ft (12.19m) two- piece design that utilizes a 20 ft (6.10m) base section and a 20 ft (6.10m) top section with in- line connecting pins on 48 in (1.22m) wide and 39 in (0.99m) deep centers.

Jib Extensions		Quantity For Max Jib
ft	m	
20	6.10	5

- 3.00 in (7.62cm) diameter tubular chords
- One 23 in (0.58m) root diameter steel sheave mounted on sealed anti- friction bearings
- 20 ft (6.10) jib extensions are available to provide jib lengths of 40- 140 ft (12.19- 42.67m) in 20 ft (6.10m) increments
- Jib offset angles at 5°, 15°, and 30°
- The maximum tip height of tube boom + jib [275 ft + 140 ft (83.82 + 42.67m)] is 420 ft (128.02m).
- Can be used as fixed jib on luffing attachment

Long Range Auxiliary Tip Extension

Long range auxiliary tip extension can be mounted on the top section of the long range boom to provide clearance between working hoist lines. The extension is equipped with one polyamide 21 in (0.53m) root diameter sheaves mounted on sealed anti- friction bearings. Maximum capacity is 20 Tons (18.14mt).

Heavy Duty Auxiliary Tip Extension

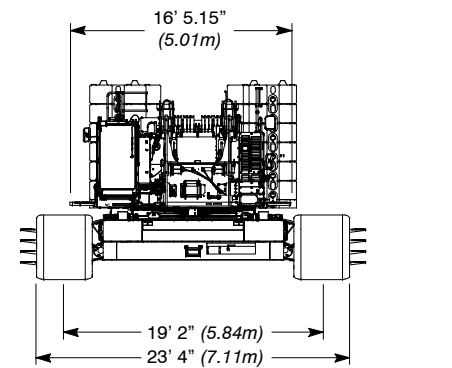
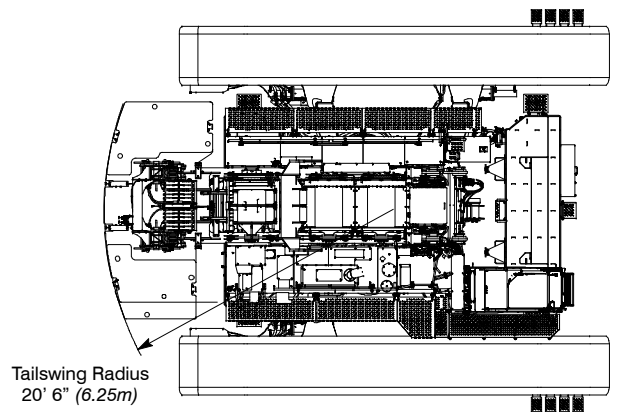
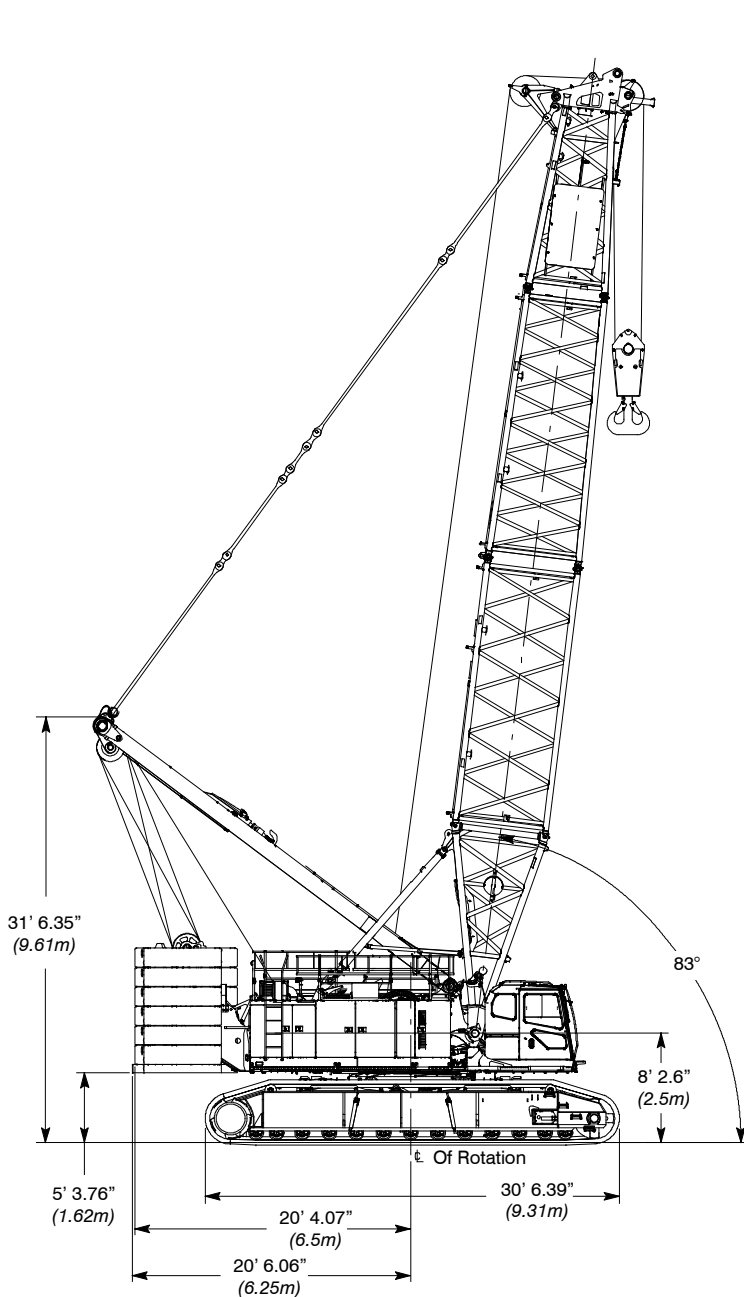
Option heavy duty auxiliary tip extension can be mounted on the top section of the heavy duty boom, to provide clearance between working hoist lines. The extension is equipped with one polyamide 23 in (0.58m) root diameter sheave mounted on sealed anti- friction bearings. Maximum capacity is 35 tons (31.75mt).

Luffing Attachment

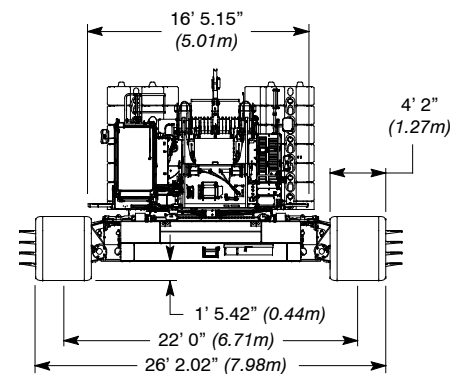
Under design

Dimensions

General Dimensions	English	Metric
Basic Boom	70 ft	21.34m
Minimum Load Radius	16.02 ft	4.88m
Maximum Boom Angle	83°	83°
Ground clearance (jacks)	1' 5.44"	0.44m
Track Shoe Width	50 in	1.27m
Optional track Shoe Width	60 in	1.52m



Retracted



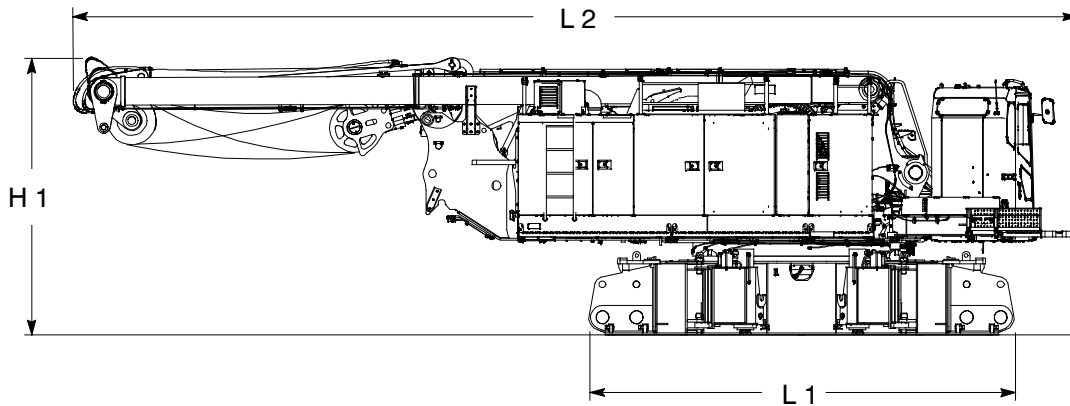
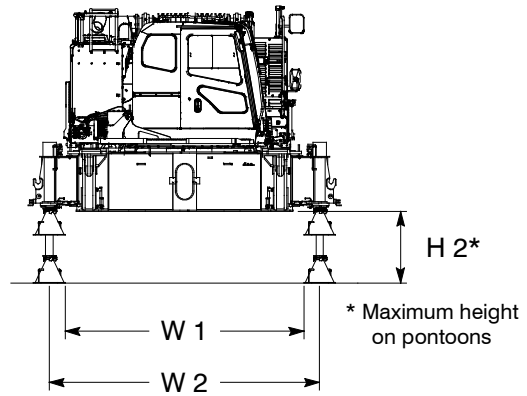
Extended

Base Crane

Base Crane ①

Length 1	17' ft 8.7"	(5.40m)
Length 2	41' ft 10.6"	(12.77m)
Width 1	12 ft 3.2 in	(3.74m)
Width 2	13 ft 10.9 in	(4.24m)
Height 1	11 ft 6.8 in	(3.52m)
Height 2	44.0 in	(1.12m)
Weight*	98,200 lb	(44 550kg)

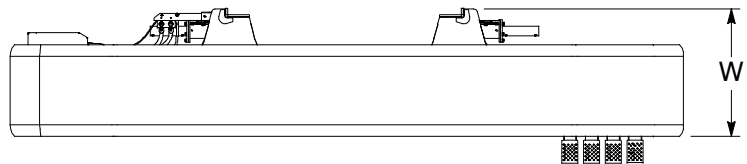
* Includes: 1,255 ft (382.52m) of 1.02 in (26mm) "LB" rope (boom hoist)
 1,060 ft (323.1m) of 1.10 in (28mm) "KC" rope (rear hoist)
 1,650 ft (502.9m) of 1.10 in (28mm) "KC" rope (front hoist)
 Add 2,600 lb (1 179kg) for free fall capable winches



Side Frames

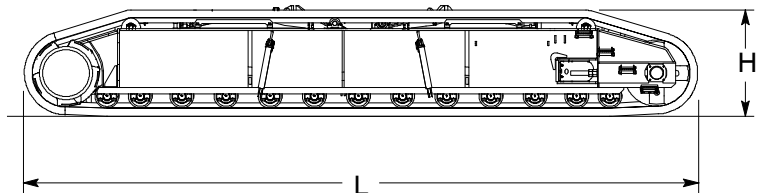
With 50 in (1.27m) Track Shoes ②

Length	30 ft 6 in	(9.31m)
Width	69.3 in	(1.76m)
Height	57.7 in	(1.47m)
Weight	45,000 lb	(20 412kg)



With 60 in (1.52m) Track Shoes ②

Length	30 ft 8 in	(8.16m)
Width	60 in	(1.52m)
Height	57.7 in	(1.47m)
Weight	48,000 lb	(2 177kg)

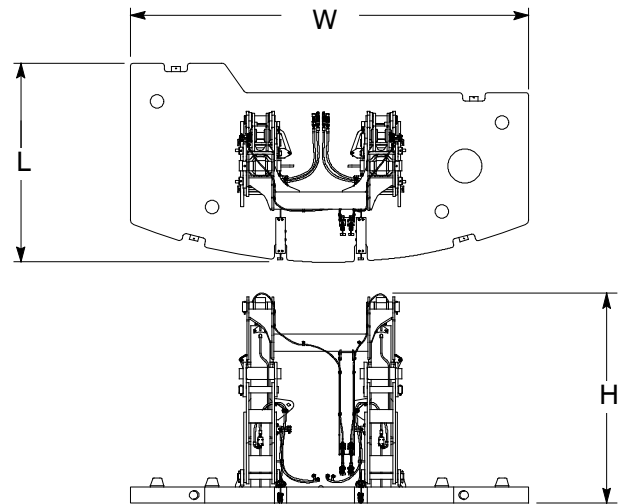


Number inside black circle "①" = # of components

Upper Counterweights

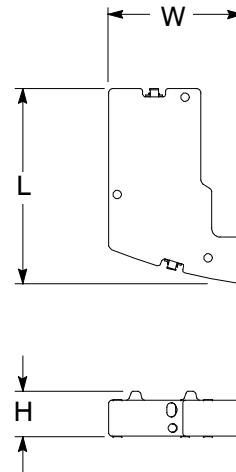
Base Counterweight ①

Length	7 ft 8.5 in	(2.35m)
Width	15 ft 5 in	(4.7m)
Height	7 ft 11.7 in	(2.43m)
Weight	36,100 lb	(16 375kg)



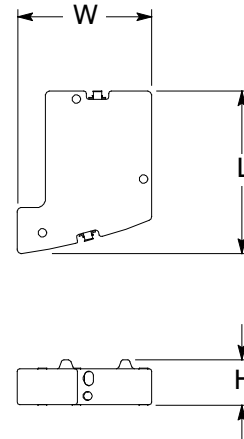
“A” “B” and “C” Left Wing Counterweights ⑥

Length	7 ft 6.3 in	(2.3m)
Width	5 ft 2 in	(1.6m)
Height	1 ft 9.1 in	(0.5m)
Weight	16,670 lb	(7 560kg)



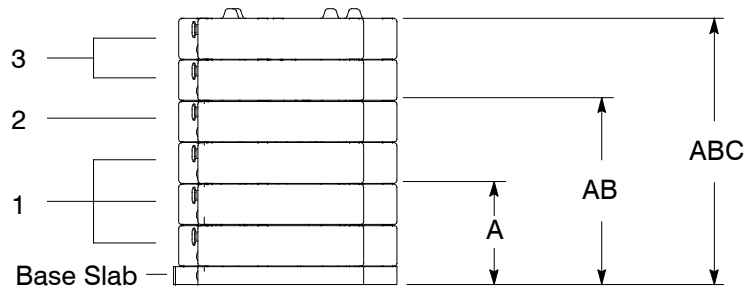
“A” “B” and “C” Right Wing Counterweights ⑥

Length	6 ft 4.3 in	(1.9m)
Width	5 ft 3.4 in	(1.6m)
Height	1 ft 9.1 in	(0.5m)
Weight	15,240 lb	(6 910kg)



Number inside black circle “①” = # of components

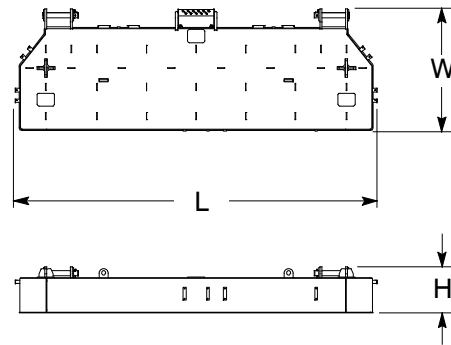
Upper Counterweight Configurations



Lower Counterweights

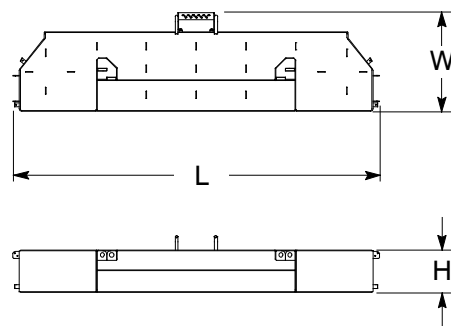
Base Counterweight ②

Length	13 ft 9.8 in	(4.21m)
Width	4 ft 8.7 in	(1.44m)
Height	1 ft 9.0 in	(0.53m)
Weight	20,700 lb	(9 389kg)



Top Counterweight ④

Length	13 ft 11.2 in	(4.25m)
Width	3 ft 9.0 in	(1.14m)
Height	1 ft 7.2 in	(0.49m)
Weight	17,000 lb	(7 711kg)



Boom

80 in (2.03m) x 95 in (2.41m)

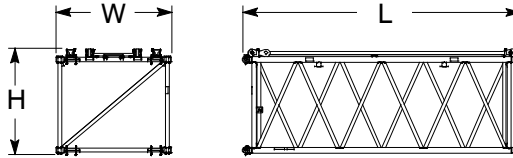
Heavy Duty Boom

Extensions “JC”

Weights Include Walkway, Pendants, and Hardware

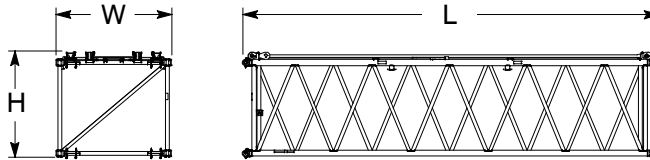
20 ft (6.10m) Extension

Length	20 ft 5.75 in	(6.24m)
Width	101.57 in	(2.58m)
Height	92.13 in	(2.34m)
Weight:	3,812 lb	(1 729kg)



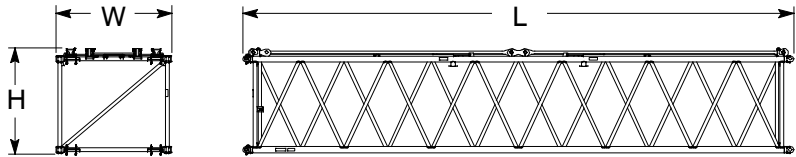
30 ft (9.14m) Extension

Length	30 ft 5.75 in	(9.29m)
Width	101.57 in	(2.58m)
Height	92.13 in	(2.34m)
Weight:	5,400 lb	(2 449kg)



40 ft (12.19m) Extension

Length	40 ft 5.75 in	(12.34m)
Width	101.57 in	(2.58m)
Height	92.13 in	(2.34m)
Weight:	6,976 lb	(3 164kg)



68 in (1.72m) x 80 in (2.03m)

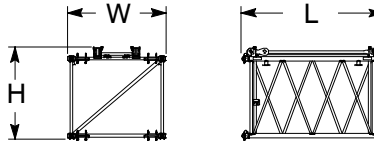
Long Range Boom

Extensions “FE”

Weights Include Walkway, Pendants, and Hardware

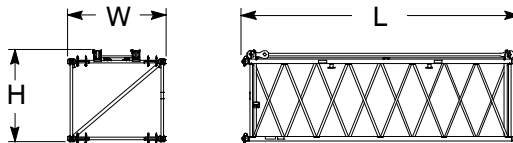
10 ft (3.05m) Extension

Length	10 ft 4.63 in	(3.17m)
Width	86.34 in	(2.19m)
Height	80.08 in	(2.04m)
Weight	1,425 lb	(646kg)



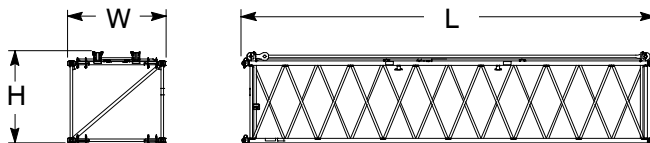
20 ft (6.10m) Extension

Length	20 ft 4.63 in	(6.21m)
Width	86.34 in	(2.19m)
Height	80.08 in	(2.04m)
Weight	2,280 lb	(1 034kg)



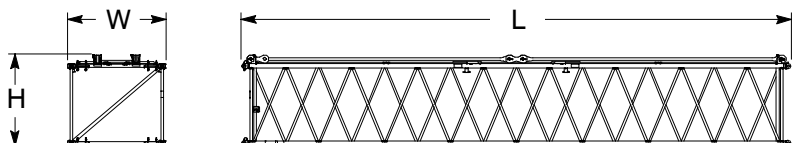
30 ft (9.14m) Extension

Length	30 ft 4.63 in	(9.26m)
Width	86.34 in	(2.19m)
Height	80.08 in	(2.04m)
Weight:	3,155 lb	(1 431kg)



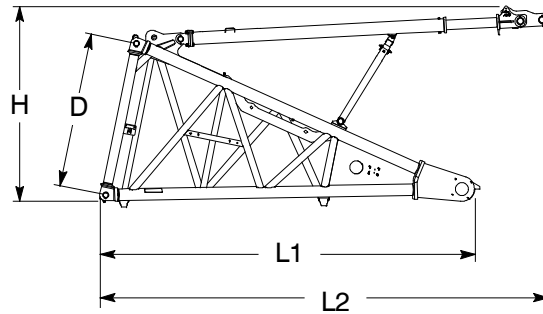
40 ft (12.19m) Extension

Length	40 ft 4.63 in	(12.31m)
Width	86.34 in	(2.19m)
Height	80.08 in	(2.04m)
Weight:	4,198 lb	(1 904kg)



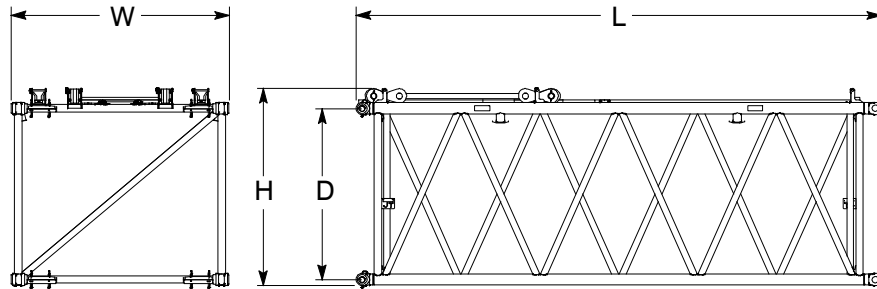
**15 ft (6.10m) Heavy Duty/
Long Range Boom
Base Section "N"** ①

Length 1	16 ft 1.7 in	(4.92m)
Length 2	19 ft 4.2 in	(5.90m)
Width	8 ft 6 in	(2.59m)
Deep	80 in	(2.03m)
Height	8 ft 4.5 in	(2.55m)
Weight	7,898 lb	(3 582kg)



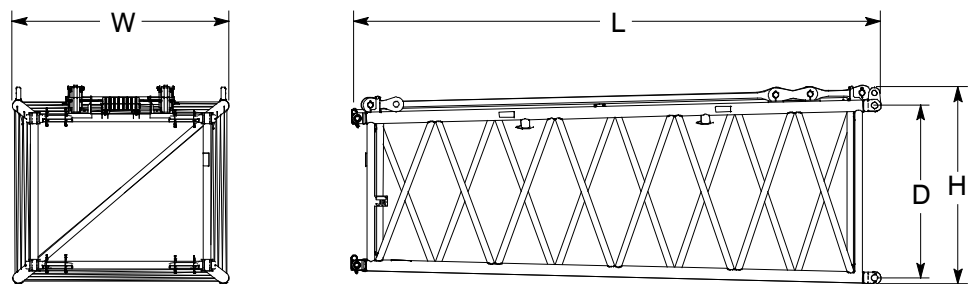
**20 ft (6.10m) Heavy Duty/
Long Range Boom
Base Extension "JT"** ①

Length	20 ft 5.8 in	(6.24m)
Width	8 ft 5.7 in	(2.58m)
Deep	80 in	(2.03m)
Height	7 ft 8.1 in	(2.34m)
Weight	3,873 lb	(1 757kg)



**20 ft (6.10m) Heavy Duty/
Long Range Boom
Tapered Extension "JR"** ①

Length	20 ft 5.2 in	(6.23m)
Width	8 ft 4.3 in	(2.55m)
Deep	80 in	(2.03m)
Height	7 ft 5.4 in	(2.27m)
Weight	4,817 lb	(2 185kg)

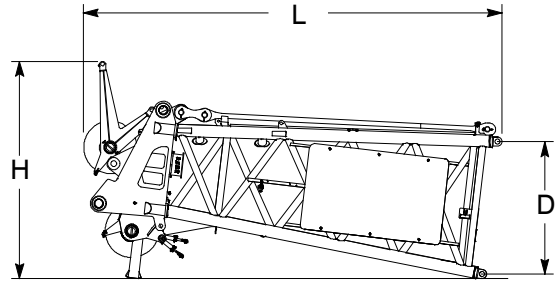
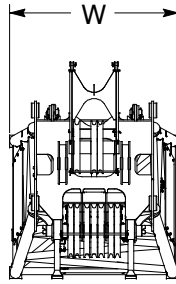


Number inside black circle "①" = # of components

* - Optional equipment

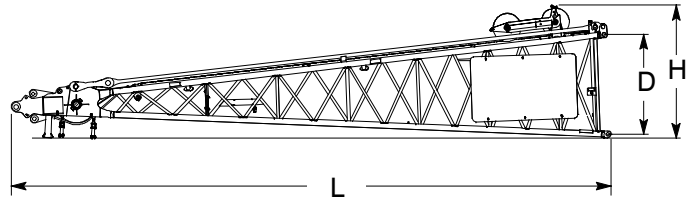
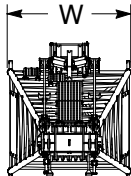
15 ft (4.57m) Heavy Duty Boom Top Section "N" ①

Length	17 ft 9.3 in	(5.42m)
Width	7 ft 2 in	(2.18m)
Deep	68.1 in	(1.73m)
Height	9 ft 2.9 in	(2.82m)
Weight	8,054 lb	(3 653kg)



30 ft (9.14m) Long Range Boom Top Section "G" ①

Length	33 ft 11.8 in	(10.36m)
Width	7 ft 0.3 in	(2.14m)
Deep	68 in	(1.73m)
Height	7 ft 5.5 in	(2.27m)
Weight	5,514 lb	(2 501kg)



Number inside black circle "①" = # of components
 * - Optional equipment

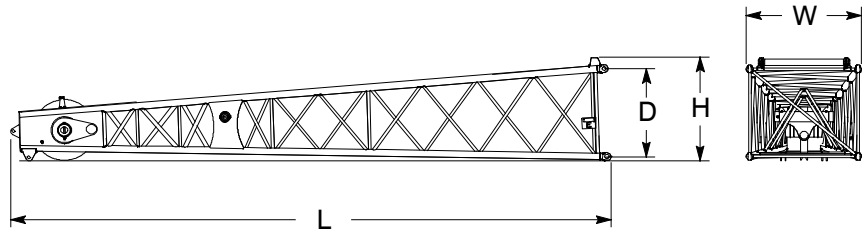
Jib/Fixed Jib

20 ft (6.10m) Jib/Fixed

Top Section "E"* 1

Length	22 ft 2.1 in	(6.76m)
Width	51.2 in	(1.30m)
Deep	39 in	(0.99m)
Height	3 ft 9.6 in	(1.16m)
Weight	1,684 lb	(764kg)

Weight includes jib top, 23 in (0.58m) head sheave, pendant links, ATB weight, and mounting hardware.

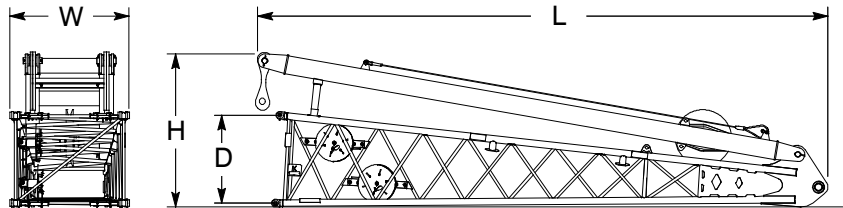


20 ft (6.10m) Jib/Fixed

Base Section "K"* 1

Length	21 ft 6 in	(6.42m)
Width	52.8 in	(1.34m)
Deep	39 in	(0.99m)
Height	5 ft 7.9 in	(1.72m)
Weight	2,677 lb	(1 214kg)

Weight includes base section, strut, and mounting hardware.

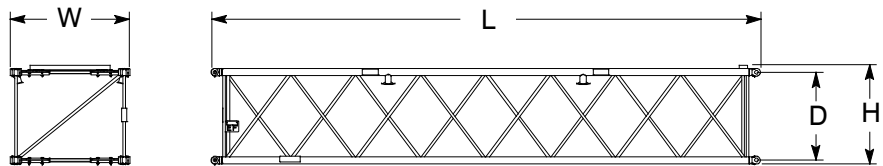


20 ft (6.10m) Jib/Fixed

Extensions "EF"* 1

Length	20 ft 3.5 in	(6.18m)
Width	52.8 in	(1.34m)
Deep	39 in	(0.99m)
Height	3 ft 7.9 in	(1.11m)
Weight	1,028 lb	(466kg)

Weights includes extension, pendants, wear bar, and mounting hardware.



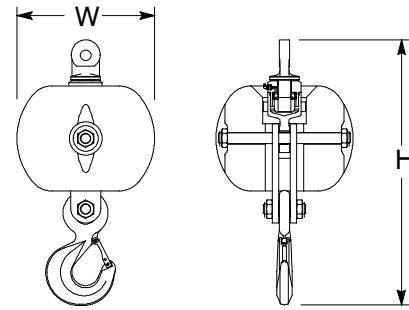
Number inside black circle "1" = # of components

* - Optional equipment

Hook Balls

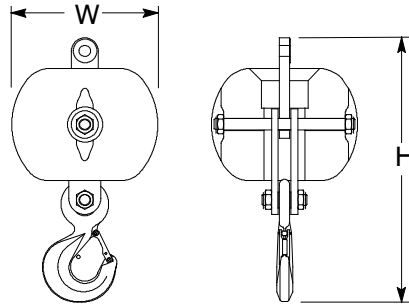
20 Ton (18.1mt) Swivel Hook Ball* ①

Width	21.75 in	(0.55m)
Height	41.75 in	(1.06m)
Weight	1,255 lb	(569kg)



20 Ton (18.1mt) Non- Swivel Hook Ball* ①

Width	21.75 in	(0.55m)
Height	39 in	(0.99m)
Weight	1,214 lb	(551kg)

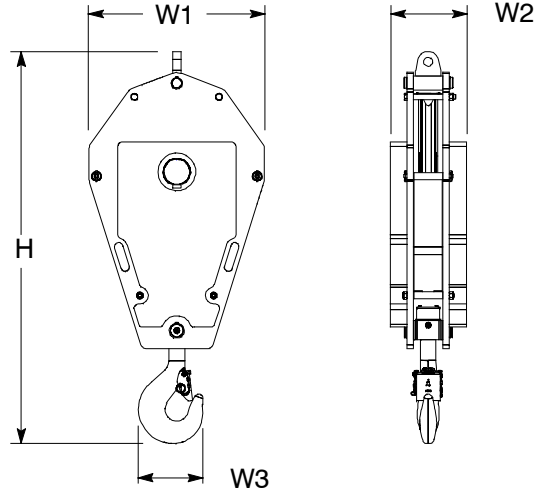


Hook Blocks

40 Ton (36.3mt)

1- Sheave Hook Block* ①

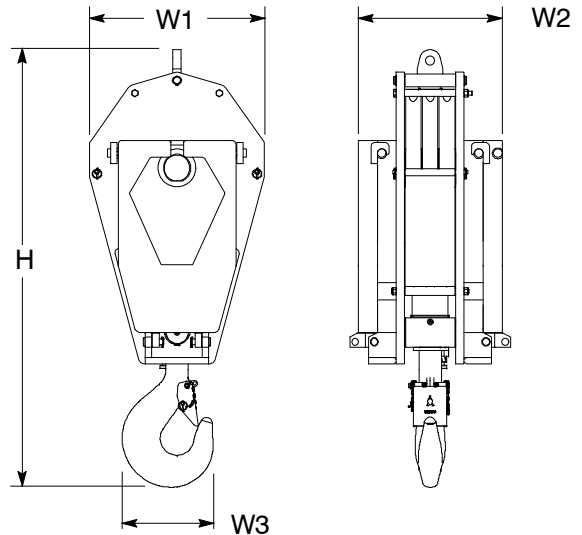
Width1	32.69 in	(0.83m)
Width2	14.19 in	(0.36m)
Width3	12.0 in	(0.30m)
Height	72.63 in	(1.84m)
Weight	2,274 lb	(1 031kg)



90 Ton (81.6mt)

3- Sheave Hook Block* ①

Width1	32.69 in	(0.83m)
Width2	26.94 in	(0.68m)
Width3	17.00 in	(0.43m)
Height	82.06 in	(2.08m)
Weight	4,631 lb	(2 101kg)



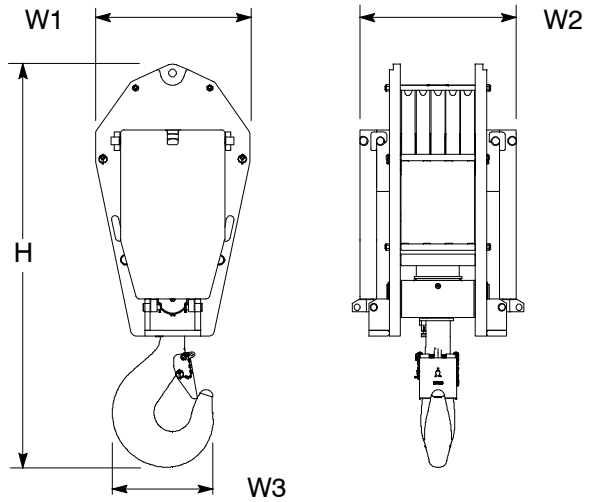
Number inside black circle "①" = # of components

* - Optional equipment

165 Ton (150mt)

5- Sheave Hook Block* ①

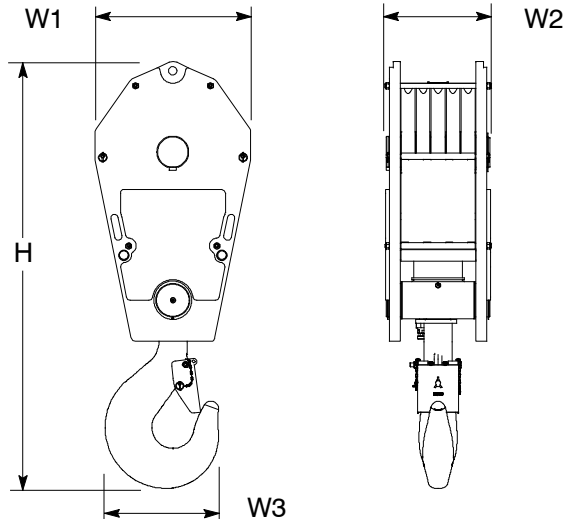
Width1	32.69 in	(0.83m)
Width2	33.25 in	(0.84m)
Width3	21.33 in	(0.54m)
Height	85.44 in	(2.17m)
Weight	5951 lb	(2 699kg)



200 Ton (181.4mt)

5- Sheave Hook Block* ①

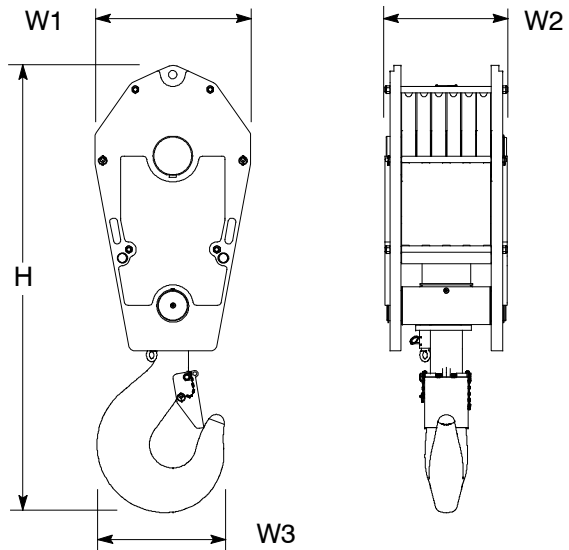
Width1	32.68 in	(0.83m)
Width2	25.67 in	(0.65m)
Width3	23.9 in	(0.61m)
Height	89.76 in	(2.28m)
Weight	5,951 lb	(2 699kg)



250 Ton (226.8mt)

6- Sheave Hook Block* ①

Width1	32.69 in	(0.83m)
Width2	25.06 in	(0.64m)
Width3	26.8 in	(0.68m)
Height	94.16 in	(2.39m)
Weight	6,281 lb	(2 849kg)

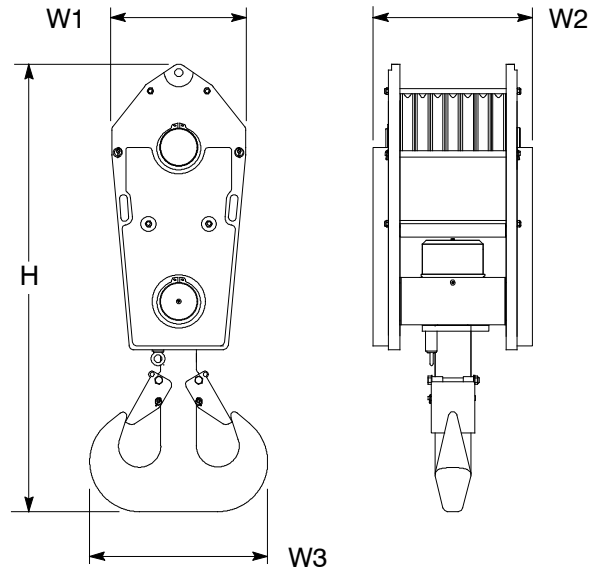


Number inside black circle "①" = # of components

* - Optional equipment

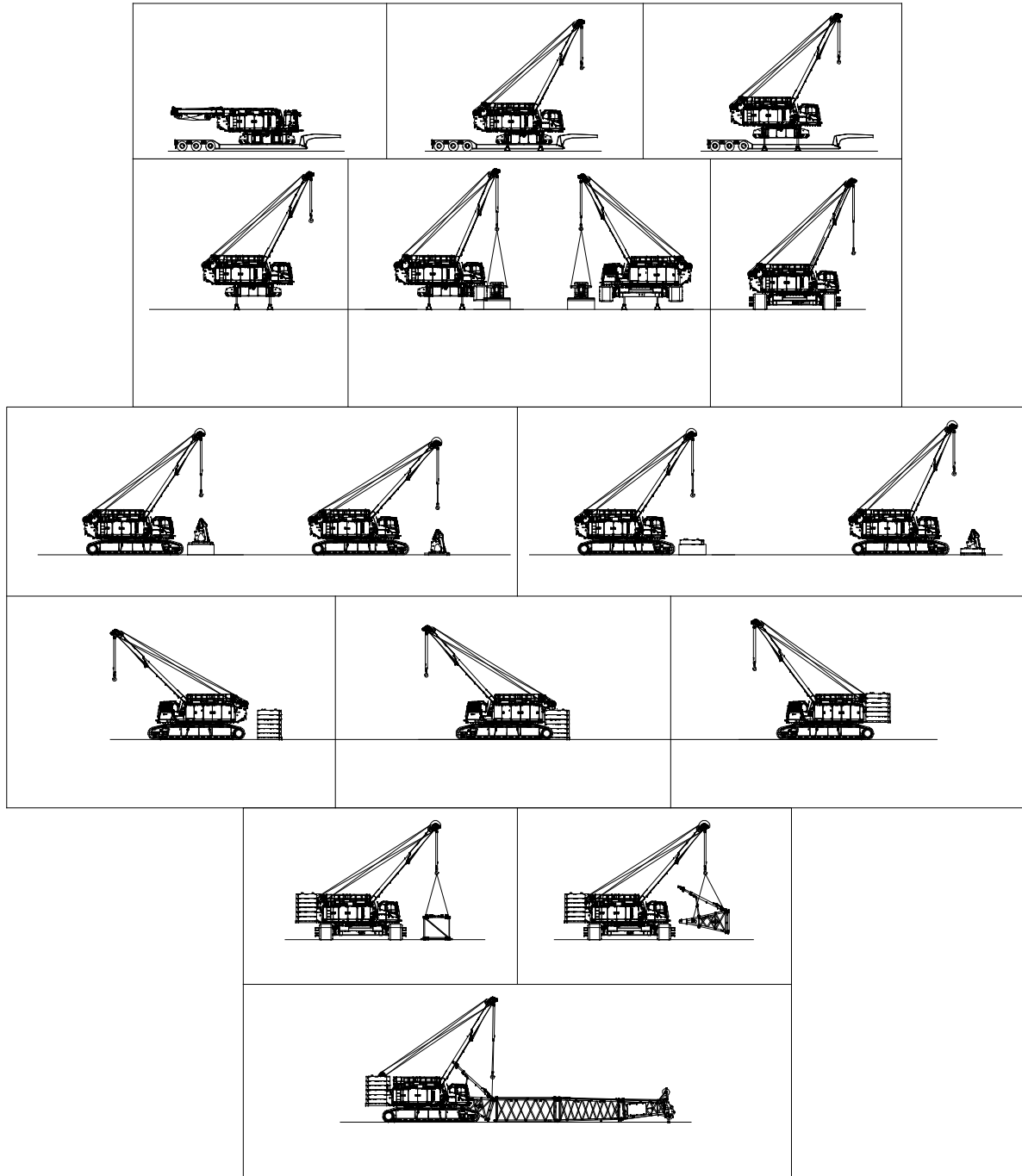
300 Ton (272.2mt)
7- Sheave Hook Block* ①

Width1	27.95 in	(0.71m)
Width2	33.15 in	(0.84m)
Width3	37.17 in	(0.94m)
Height	93.23 in	(2.37m)
Weight	6,500 lb	(2 948kg)



Number inside black circle “①” = # of components
 * - Optional equipment

Assembly Diagram



Working Weights

Based on basic crane including Cummins QSL9 diesel engine, turntable bearing, independent hydraulic powered drums, boom hoist limit device, independent hydraulic swing and travel, counterweight, swing brake, drum rotation indicators, crawler lower with 50 in (1.27m) track shoes, sealed carrier rollers, catwalks, and hydraulic boom foot pin removal. The following are also included:

Lifting crane - Base machine with live mast, 1,230 ft (374.9m) main rope, 940 ft (286.5m) auxiliary rope, 70 ft (21.3m) basic heavy duty boom, and 50 in (1.27m) side frames.

		A+A Cwt	AB+A Cwt	ABC+A Cwt
		lb (kg)	lb (kg)	lb (kg)
Lifting crane - Base machine with live mast, 1,230 ft (374.9m) main rope, 940 ft (286.5m) auxiliary rope, 70 ft (21.3m) basic heavy duty boom, and 50 in (1.27m) side frames.		388,312 lb (176 135kg)	452,245 lb (205 135kg)	516,178 lb (234 134kg)
Ground Bearing Pressure	psi	11.5	13.4	15.3
	kg/cm ²	0.81	0.94	1.08

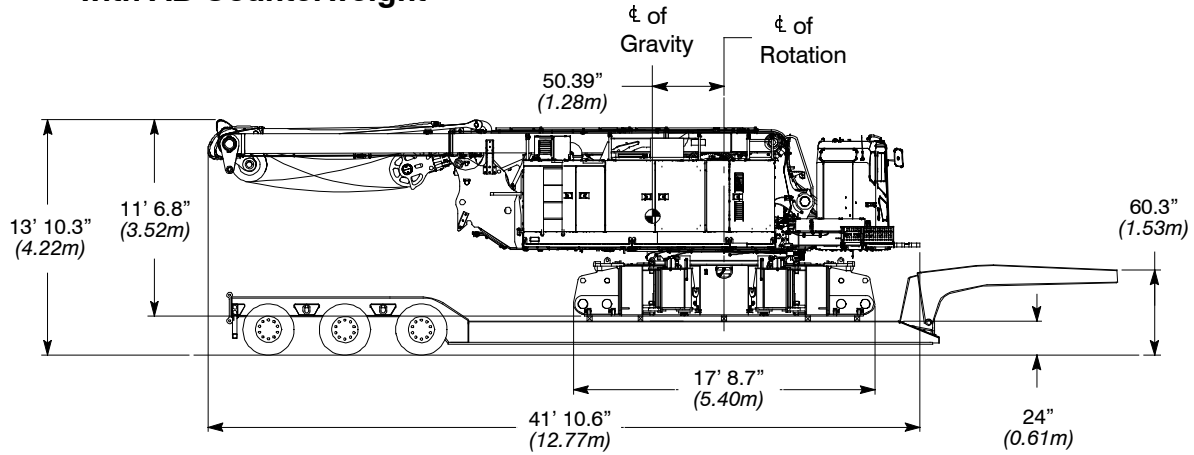
Transport Weights

Base Crane: Hydraulic backstops, 134 gal (507L) of fuel, carbody jacks, 32 ft (9.8m) live mast, bridle and bail with 24- part boom hoist reeving, 1,650 ft (502.9m) type "ZB" front drum rope, and 1,060 ft (323.1m) type "ZB" rear drum rope.

Item Description	Gross Weight		Transport Loads											
	lb	(kg)	#1	#2	#3	#4	#5	#6	#7	#8	#9	#10	#11	#12
Base crane	98,200	44 543	1											
Add Side Frame (50" shoes) - Two required	45,000	20 412		1	1									
Add Upper Base Cwt	36,100	16 375						1						
Add Upper Left Wing Cwt - Six Required	16,700	7 575							1	1	1	1	1	1
Add Upper Right Wing Cwt - Six Required	15,300	6 940							1	1	1	1	1	1
Add Lower Base Cwt - Two Required	20,600	9 344				1	1							
Add Lower Top Cwt - Two Required	17,000	7 711				1	1							
Add 30 ft (9.14m) "G" Top Section	5,514	2 501												
Add 15 ft (4.57m) "N" Top Section	8,054	3 653									1			
Add 20 ft (6.10m) "JC" Extension With Pins And Pendants	3,651	1 656									1			
Add 30 ft (9.14m) "JC" Extension With Pins And Pendants	5,187	2 353				1								
Add 40 ft (12.19m) "JC" Extension With Pins And Pendants	6,552	2 972					1		1					
Add 15 ft (4.57m) "N" Base Section With Backstops	7,898	3 582								1				
Add 20 ft (6.10m) "JT" Base Extension	3,873	1 757								1				
Add 20 ft (6.10m) "JR" Tapered Extension	5,009	2 272						1						
Add 10 ft (3.05m) "FE" Extension With Pins And Pendants	1,338	607												
Add 20 ft (6.10m) "FE" Extension With Pins And Pendants	2,162	981												
Add 30 ft (9.14m) "FE" Extension With Pins And Pendants	2,992	1 357												
Add 40 ft (12.19m) "FE" Extension With Pins And Pendants	3,823	1 734												
Add 40 ft (12.19m) Jib	6,116	2 774										1		
Add 20 ft (6.10m) Jib Extension	1,028	466						1						
Add Long Range Auxiliary Tip Extension	671	304												
Add Heavy Duty Auxiliary Tip Extension	1,043	473												
Add 20 Ton (18.1mt) Hook Ball	1,214	551							1					
Add 40 Ton (36.3mt) Hook Block	6,360	2 885							1					
Add 250 Ton (226.8mt) Hook Block	4,932	2 237										1		
Add free fall to base crane	2,600	1 179												
Remove carbody jacks	3,691	1 674												
Remove track spacers	1,000	454												
Add Hydraulic Third Drum Without Rope	2,809	1 274												
Remove Main Hoist Rope]1.10 in (28mm) x 1,650 ft (502.9m)[4,076	1 849												
Remove Auxiliary Wire Rope]1.10 in (28mm) x 940 ft (286.5m)[2,618	1 188												
Remove 50 Gal (189L) of Fuel	- 362	- 164												
Approximate Total Shipping Weight	lb		98,200	45,000	45,000	42,787	44,152	42,137	42,040	43,771	43,705	44,476	32,000	32,000
	kg		44 543	20 412	20 412	19 408	20 027	19 113	19 069	19 854	19 824	20 174	14 515	14 515

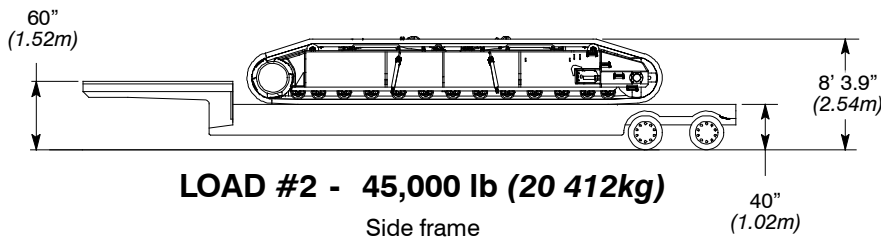
Transport Drawings

200 + 60 ft (60.96 + 18.29m)
with AB Counterweight



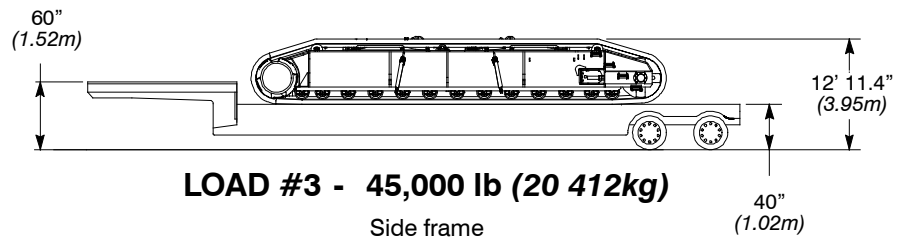
LOAD #1 - 98,200 lb (44 543kg)

Base crane



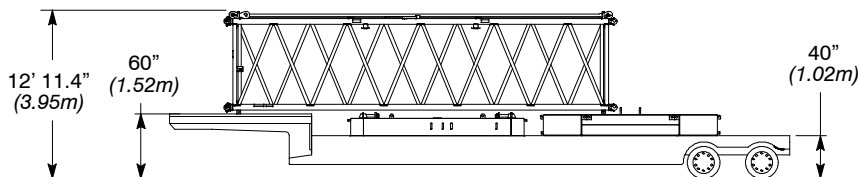
LOAD #2 - 45,000 lb (20 412kg)

Side frame



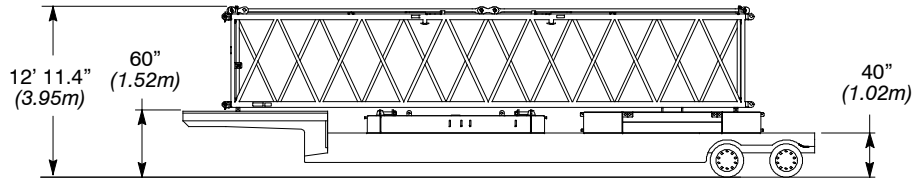
LOAD #3 - 45,000 lb (20 412kg)

Side frame



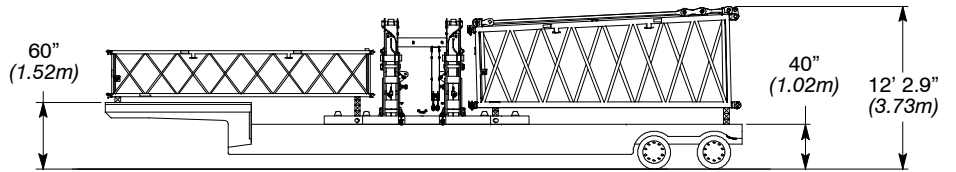
LOAD #4 - 42,787 lb (19 408kg)

Lower base counterweight, lower top counterweight, 30 ft (9.14m) "JC" boom extension with pins and pendants, and 60 Ton (54.4mt) hook block



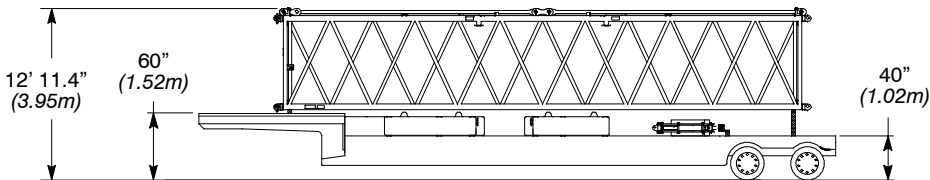
LOAD #5 - 44,152 lb (20 027kg)

Lower base counterweight, lower top counterweight, and 40 ft (12.19m) "JC" boom extension with pins and pendants



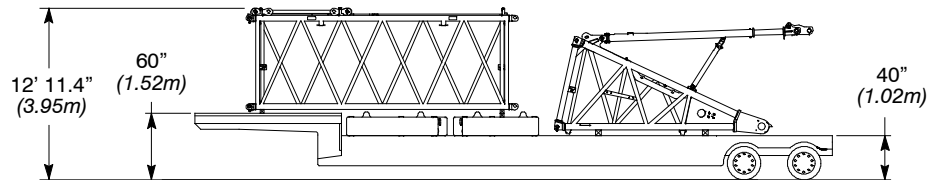
LOAD #6 - 42,137 lb (19 113kg)

Upper base counterweight, and 15 ft (4.57m) "N" boom top section, 20 ft (6.10m) "JR" tapered boom extension, and 20 ft (4.57m) jib extension



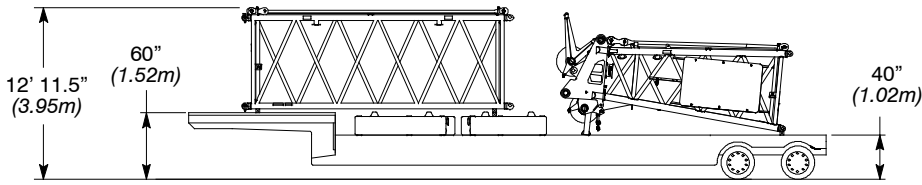
LOAD #7 - 42,040 lb (19 069kg)

One left wing counterweight, one right wing counterweight, 40 ft (12.19m) "JC" boom extension, and 20 Ton (18.1mt) hook ball



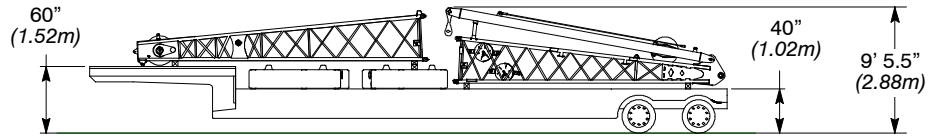
LOAD #8 - 43,771 lb (19 854kg)

One left wing counterweight, one right wing counterweight, 15 ft (4.57m) "N" base section with backstops, and 20 ft (6.10m) "JT" base extension



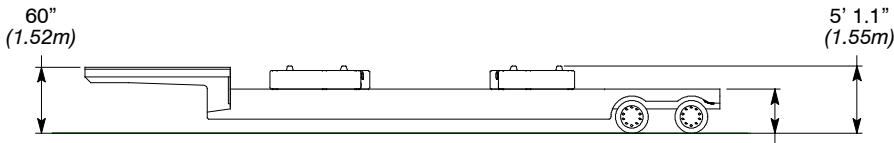
LOAD #9 - 43,705 lb (19 824kg)

One left wing counterweight, one right wing counterweight, 15 ft (4.57m) "N" top section boom extension with pins and pendants, and 20 ft (4.57m) "JC" boom extension



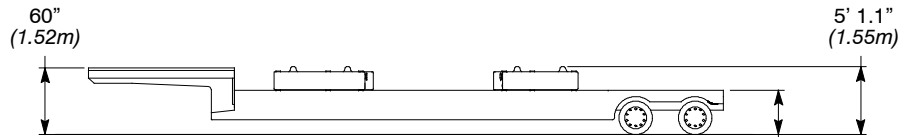
LOAD #10 - 44,476 lb (20 174kg)

One left wing counterweight, one right wing counterweight, 40 ft (12.19m) jib, and 250 Ton (226.8mt) hook block



LOAD #11 - 32,000 lb (14 515kg)

One upper left wing counterweight, one upper right wing counterweight



LOAD #12 - 32,000 lb (14 515kg)

One upper left wing counterweight, one upper right wing counterweight

Load Hoist Performance

Front & Rear Drums - 1.10 in (28mm) Wire Rope

Rope Layer	Maximum Line Pull		No Load Line Speed		Full Load Line Speed		Pitch Diameter		Layer		Total	
	lb	kg	ft/min	m/min	ft/min	m/min	in	mm	ft	m	ft	m
1	53,306	24,179	372.6	113.6	202.1	61.6	24.6	624.0	192.9	58.8	192.9	58.8
2	49,523	22,463	401.0	122.2	217.6	66.3	26.4	671.7	207.8	63.3	400.6	122.1
3	46,242	20,975	429.5	130.9	233.0	71.0	28.3	719.3	222.4	67.8	623.1	189.9
4	43,368	19,671	458.0	139.6	248.5	75.7	30.2	767.0	237.2	72.3	860.2	262.2
5	40,831	18,521	486.5	148.3	263.9	80.4	32.1	814.6	251.9	76.8	1,112.1	339.0
6	38,574	17,497	514.9	156.9	279.3	85.1	33.9	862.3	266.6	81.3	1,378.8	420.2
7	36,554	16,580	543.4	165.6	294.8	89.8	35.8	910.0	281.4	85.8	1,660.1	506.0

Boom Hoist Drums - 1.02 in (26mm) Wire Rope

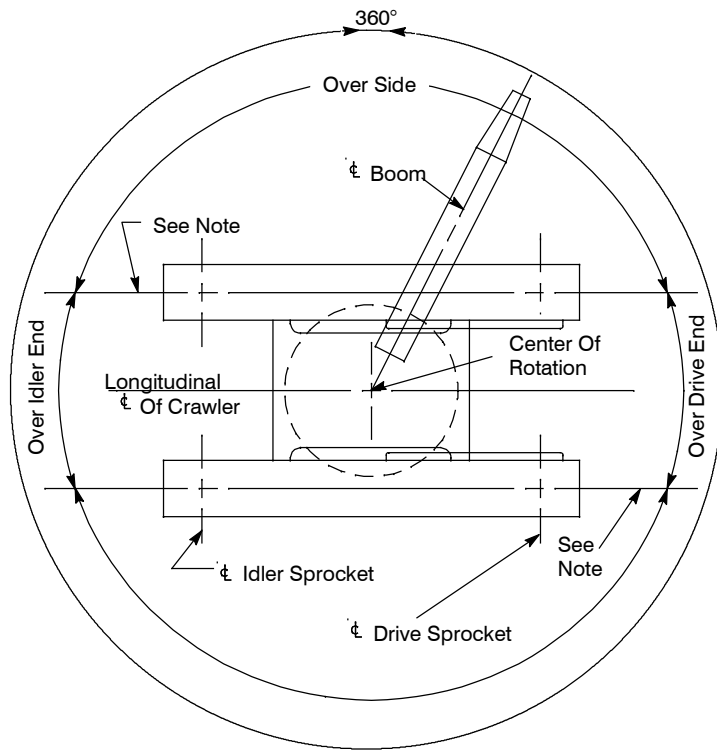
Rope Layer	Maximum Line Pull		No Load Line Speed		Full Load Line Speed		Pitch Diameter		Layer		Total	
	lb	kg	ft/min	m/min	ft/min	m/min	in	mm	ft	m	ft	m
1	104,499	47,400	101.4	30.9	200.1	61.0	25.2	640.0	158.5	48.3	158.5	48.3
2	97,885	44,400	108.6	33.1	214.6	65.4	26.9	684.3	169.3	51.6	327.4	99.8
3	91,932	41,700	115.5	35.2	228.0	69.5	28.7	728.5	180.1	54.9	507.9	154.8
4	86,641	39,300	122.7	37.4	242.1	73.8	30.4	772.8	191.3	58.3	698.8	213.0
5	82,011	37,200	129.6	39.5	255.9	78.0	32.2	817.0	202.1	61.6	900.9	274.6
6	77,823	35,300	136.5	41.6	269.4	82.1	33.9	861.3	212.9	64.9	1,114.2	339.6
7	ONLY WIND ROLL						35.6	905.5	224.1	68.3	1,338.3	407.9

Third Hoist Drum - 1 in (25.4mm) Wire Rope

Rope Layer	Maximum Line Pull		No Load Line Speed		Full Load Line Speed		Pitch Diameter		Layer		Total	
	lb	kg	ft/min	m/min	ft/min	m/min	in	mm	ft	m	ft	m
1	24,754	11,228	325	99.2	184	56.1	19.7	500	150	45.8	150	45.8
2	22,473	10,194	358	109.2	203	61.8	21.7	551	165	50.4	316	96.2
3	20,576	9,333	391	119.3	221	67.5	23.7	602	181	55.1	496	151.2
4	18,975	8,607	424	129.4	240	73.1	25.7	653	196	59.7	692	210.9
5	17,605	7,986	457	139.4	259	78.8	27.7	704	211	64.3	903	275.3

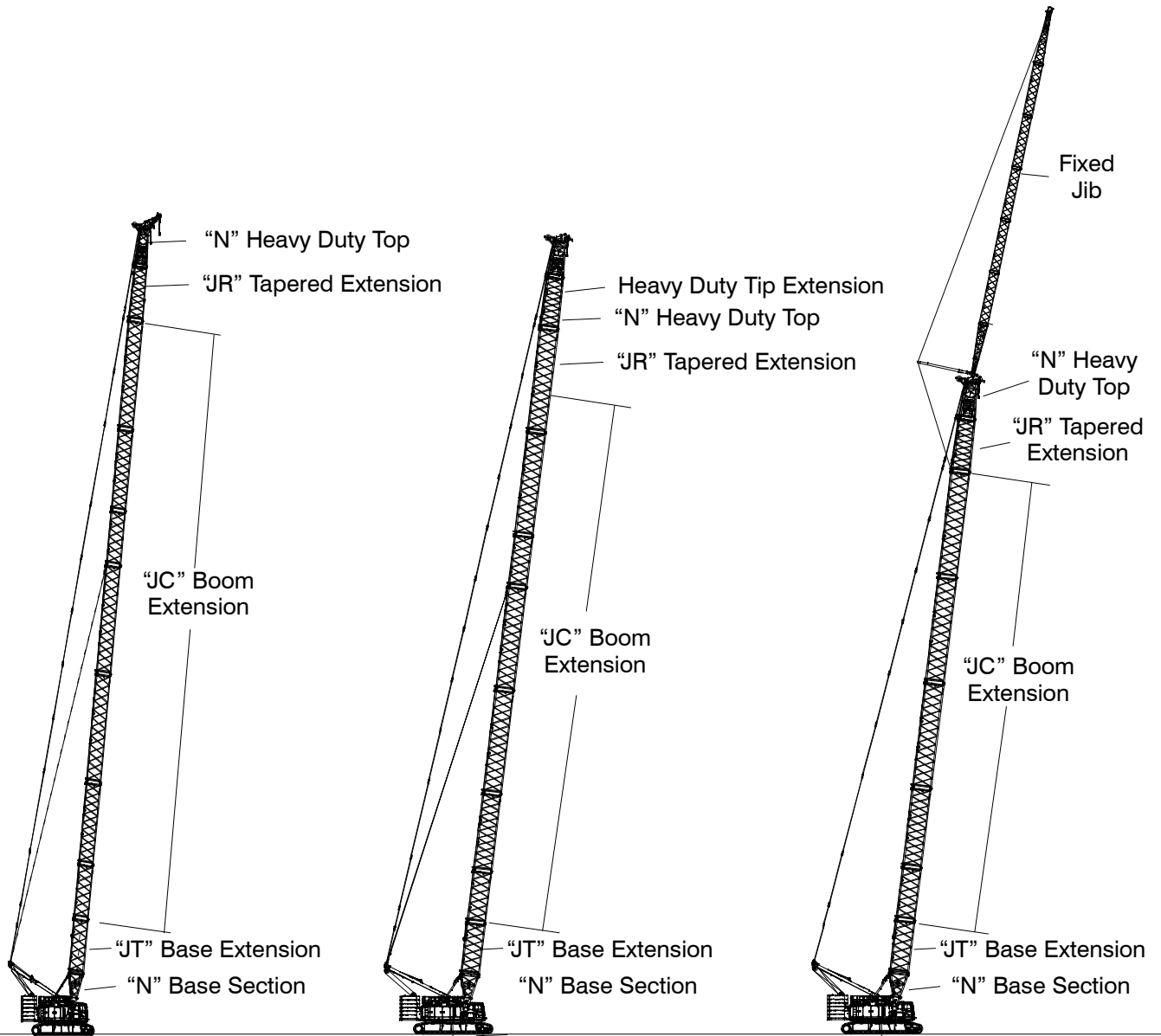
Wire Rope Application		Diameter		Type	Max. Permissible Load		Wire Rope Descriptions
		in	mm		lb	kg	
Main and Auxiliary Winches	Standard	1.10	28	KC	34,600	15 694	37 x 7, Category 1, E.E.I.P.S., Right Lang Lay, Galvanized
	Optional	1.10	28	EC	43,700	19 821	8 x 26, Compacted Strand, Swaged, Preformed, I.W.R.C., Preformed, Right Regular Lay
Boom Hoist	Standard	1.02	26	LB	32,500	14 741	6 Strand, Compacted Strand, Seale or Warrington Seale, I.W.R.C., Preformed, Right Regular Lay
Third Drum	Optional	1.0	25.4	KC	28,100	12 745	37 x 7, Category 1, E.E.I.P.S., Right Lang Lay

Working Areas



Note: These Lines Determine The Limiting Position Of Any Load For Operation Within Working Areas Indicated.

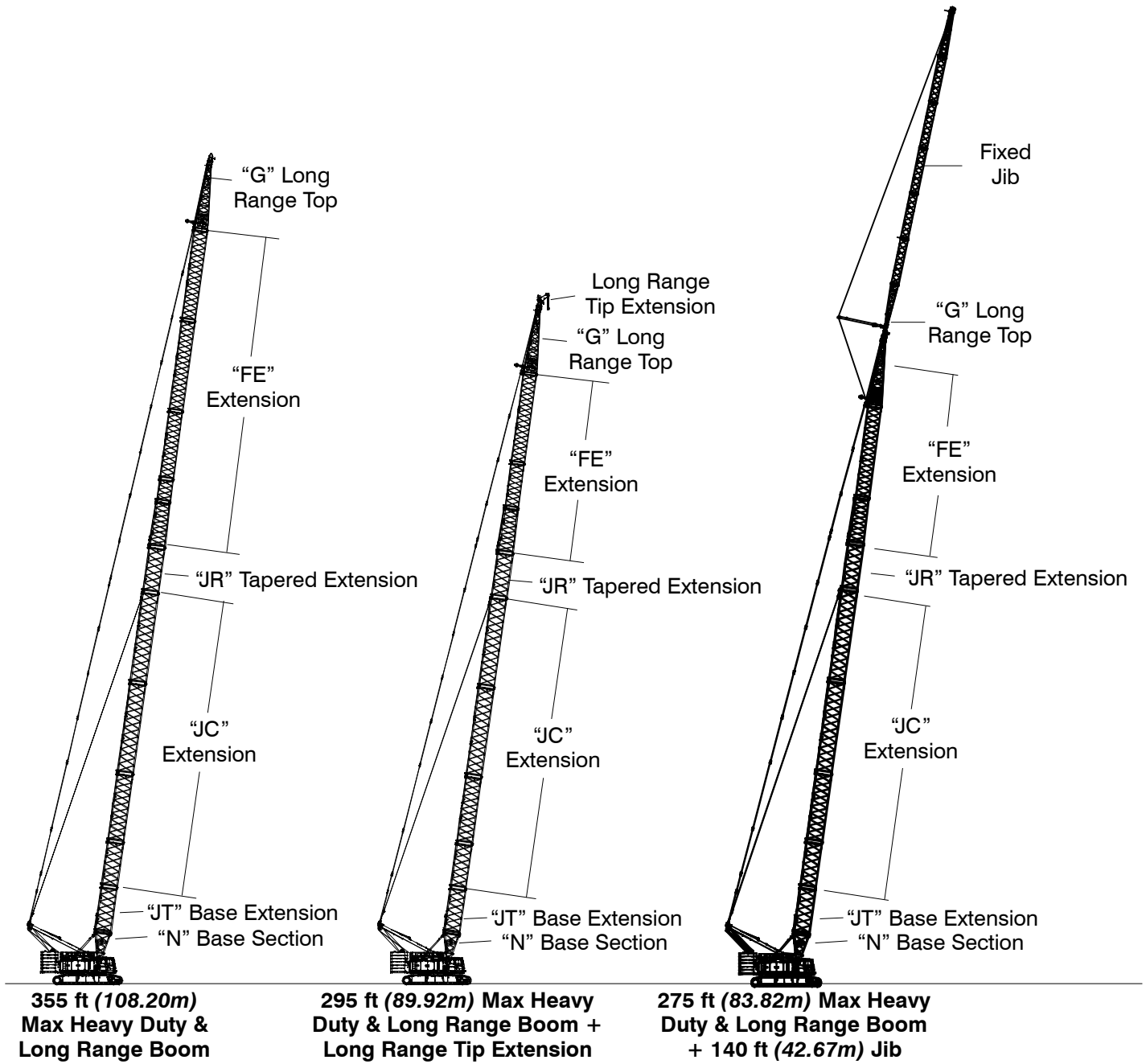
Attachments



300 ft (91.44m) Max Heavy Duty Boom

270 ft (82.30m) Max Heavy Duty Boom + Heavy Duty Tip Extension

240 ft (73.15m) Max Heavy Duty Boom + 140 ft (42.67m) Jib



Heavy Duty Boom

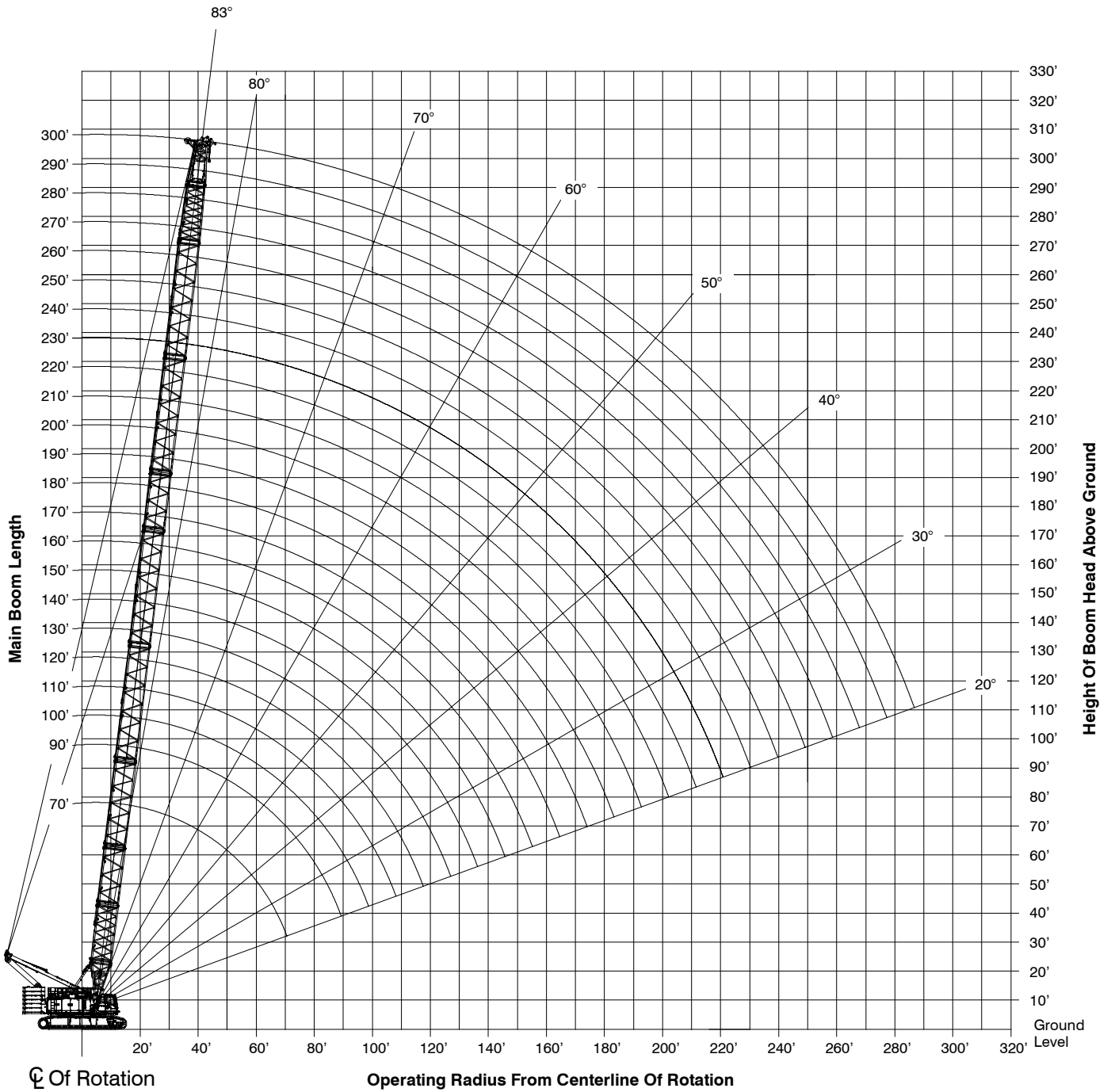
Boom Make- Up

Boom Length ft (m)	Boom Extensions - ft (m)						
	15 (4.57) "N" Base	20 (6.10) "JT" Ext	20 (6.10) "JC" Ext	30 (9.14) "JC" Ext	40 (12.19) "JC" Ext	20 (6.10) "JR" Taper	15 (4.57) "N" Top
70 (21.34)	1	1				1	1
80 (24.38)	Not Recommended						
90 (27.43)	1	1	1			1	1
100 (30.48)	1	1		1		1	1
110 (33.53)	1	1			1	1	1
120 (36.58)	1	1	1	1		1	1
130 (39.62)	1	1	1		1	1	1
140 (42.67)	1	1		1	1	1	1
150 (45.72)	1	1			2	1	1
160 (48.77)	1	1	1	1	1	1	1
170 (51.82)	1	1	1		2	1	1
180 (54.86)	1	1		1	2	1	1
190 (57.91)	1	1			3	1	1
200 (60.96)	1	1	1	1	2	1	1
210 (64.01)	1	1	1		3	1	1
220 (67.06)	1	1		1	3	1	1
230 (70.10)	1	1	2		3	1	1
240 (73.15)	1	1	1	1	3	1	1
250 (76.20)	1	1	2	2	2	1	1
260 (79.25)	1	1	2	1	3	1	1
270 (82.30)	1	1	1	2	3	1	1
280 (85.34)	1	1	1	1	4	1	1
290 (88.39)	1	1	2	2	3	1	1
300 (91.44)	1	1	2	1	4	1	1

Notes:

- Capacities shown are in kips/metric tons (1 kip = 1,000 lb / 1 metric ton = 0.45 kips) and are not more than 75% of the tipping loads with the crane standing level on firm supporting surface. A deduction must be made from these capacities for weight of hook block, hook ball, sling, grapple, load weighing device, etc. When using main hook while jib or tip extension is attached, reduce capacities by values shown in Crane Rating Manual. See Operator's Manual for all limitations when raising or lowering attachment.
- The capacities in the shaded areas are based on structural strength. The capacities in the non- shaded areas are based on stability ratings.
- For recommended reeving, parts of line, wire rope type, and wire rope inspection, see Wire Rope Capacity Chart, Operator's Manual, and Parts Manual.
- Load ratings are based on freely suspended loads and make no allowances for such factors as the effect of the wind, ground conditions, and operating speeds. The operator shall therefore reduce load ratings in order to take these conditions into account. Refer to the Crane Rating Manual for Wind Speed Restrictions.
- The 30 ft (9.14m) live mast must be used for all capacities listed.
- The least stable rated condition is over the side.
- Booms must be erected and lowered over the end for maximum stability.
- Main boom length must not exceed 300 ft (91.44m).
- Do not operate at radii and boom lengths where the Crane Rating Manual lists no capacity. Do not use longer booms or jibs than those listed in the Crane Rating Manual. Any of the above can cause a tipping condition, or boom and jib failure.
- These capacities are in compliance with ASME/ANSI B30.5 at date of manufacture.
- These capacities apply only to the crane as originally manufactured and normally equipped by Link-Belt Construction Equipment Company.

Working Range Diagram - Heavy Duty Boom - Extended Gauge



Notes:

1. Boom geometry shown is for unloaded condition and crane standing level on firm supporting surface. Boom deflection, subsequent radius, and boom angle change must be accounted for when applying load to hook.

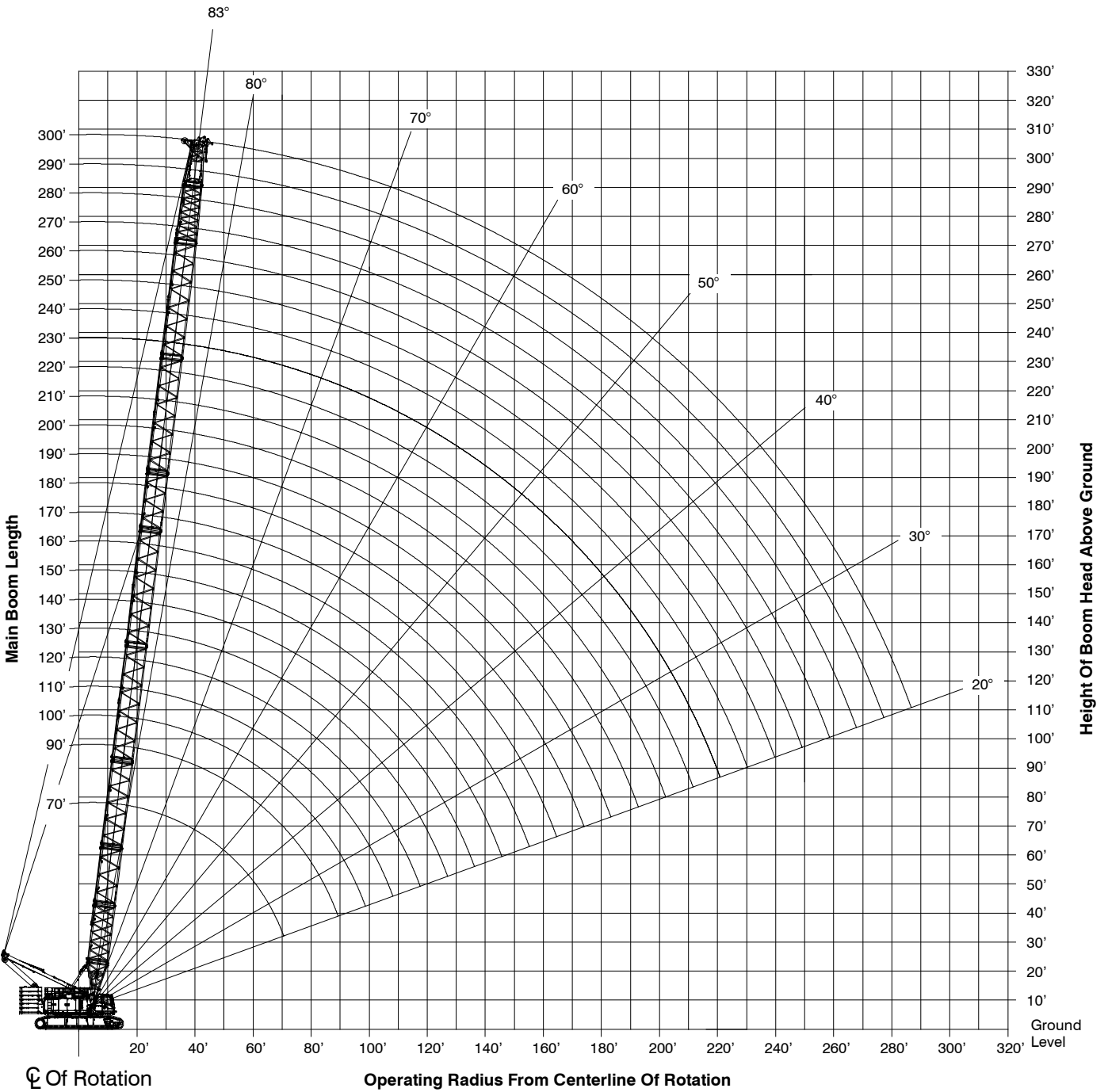
Heavy Duty Boom Load Chart - Extended Gauge

Heavy Duty Boom With Combo Top - Extended Gauge (22') - 360° Rotation
ABC + A [227,560 + 75,400 lb (103 219 + 34 207kg)] Counterweight
 [All capacities are listed in kips (m)]

Load Radius ft (m)	Boom Length ft (m)													Load Radius ft (m)
	70 (21.3)	90 (27.4)	110 (33.5)	130 (39.6)	150 (45.7)	170 (51.8)	190 (57.9)	210 (64.0)	230 (70.1)	250 (76.2)	270 (82.3)	290 (88.4)	300 (91.4)	
16.0 (4.88)	600.0 (272.16)													16.0 (4.88)
17.0 (5.18)	569.1 (258.14)													17.0 (5.18)
18.0 (5.49)	539.8 (244.85)	522.9 (237.18)												18.0 (5.49)
19.0 (5.79)	513.4 (232.87)	509.0 (230.88)												19.0 (5.79)
20.0 (6.10)	489.5 (222.03)	485.4 (220.17)	461.7 (209.42)											20.0 (6.10)
30.0 (9.14)	331.1 (150.18)	328.9 (149.19)	326.3 (148.01)	323.3 (146.65)	320.2 (145.24)	315.3 (143.02)	279.2 (126.64)							30.0 (9.14)
40.0 (12.19)	240.0 (108.86)	239.7 (108.73)	239.1 (108.45)	238.3 (108.09)	237.4 (107.68)	236.5 (107.27)	234.3 (106.28)	231.0 (104.78)	189.3 (85.87)	154.6 (70.13)	128.5 (58.29)			40.0 (12.19)
50.0 (15.24)	174.5 (79.15)	174.2 (79.02)	173.5 (78.70)	172.7 (78.34)	171.7 (77.88)	170.7 (77.43)	169.7 (76.97)	168.6 (76.48)	167.5 (75.98)	152.6 (69.22)	126.9 (57.56)	106.5 (48.31)	96.7 (43.86)	50.0 (15.24)
60.0 (18.29)	135.7 (61.55)	135.5 (61.46)	134.8 (61.14)	133.9 (60.74)	133.3 (60.46)	132.3 (60.01)	131.2 (59.51)	130.2 (59.06)	129.1 (58.56)	128.1 (58.11)	120.4 (54.61)	101.0 (45.81)	91.8 (41.64)	60.0 (18.29)
70.0 (21.34)	109.9 (49.85)	110.0 (49.90)	109.3 (49.58)	108.4 (49.17)	107.4 (48.72)	106.3 (48.22)	105.2 (47.72)	104.1 (47.22)	102.9 (46.67)	101.8 (46.18)	100.6 (45.63)	91.4 (41.46)	84.1 (38.15)	70.0 (21.34)
80.0 (24.38)		91.8 (41.64)	91.3 (41.41)	90.4 (41.00)	89.4 (40.55)	88.4 (40.10)	87.3 (39.60)	86.1 (39.05)	85.0 (38.56)	83.8 (38.01)	82.6 (37.47)	81.5 (36.97)	76.6 (34.75)	80.0 (24.38)
90.0 (27.43)		78.0 (35.38)	77.6 (35.20)	76.8 (34.84)	75.7 (34.34)	74.6 (33.84)	73.5 (33.34)	72.3 (32.79)	71.1 (32.25)	69.8 (31.66)	68.7 (31.16)	67.5 (30.62)	66.9 (30.35)	90.0 (27.43)
100.0 (30.48)			67.1 (30.44)	66.4 (30.12)	65.5 (29.71)	64.4 (29.21)	63.3 (28.71)	62.2 (28.21)	61.0 (27.67)	59.7 (27.08)	58.5 (26.54)	57.4 (26.04)	56.8 (25.76)	100.0 (30.48)
110.0 (33.53)			59.2 (26.85)	57.9 (26.26)	57.0 (25.85)	55.9 (25.36)	54.8 (24.86)	53.6 (24.31)	52.4 (23.77)	51.1 (23.18)	49.9 (22.63)	48.7 (22.09)	48.1 (21.82)	110.0 (33.53)
120.0 (36.58)				50.9 (23.09)	50.0 (22.68)	49.0 (22.23)	47.8 (21.68)	46.7 (21.18)	45.5 (20.64)	44.1 (20.00)	42.9 (19.46)	41.7 (18.91)	41.0 (18.60)	120.0 (36.58)
130.0 (39.62)				46.2 (20.96)	44.2 (20.05)	43.2 (19.60)	42.1 (19.10)	40.9 (18.55)	39.7 (18.01)	38.2 (17.33)	37.0 (16.78)	35.8 (16.24)	35.2 (15.97)	130.0 (39.62)
140.0 (42.67)					39.3 (17.83)	38.3 (17.37)	37.2 (16.87)	36.0 (16.33)	34.8 (15.79)	33.3 (15.10)	32.7 (14.83)	31.5 (14.29)	30.9 (14.02)	140.0 (42.67)
150.0 (45.72)						34.1 (15.47)	33.3 (15.10)	32.2 (14.61)	31.1 (14.11)	29.6 (13.43)	28.5 (12.93)	27.3 (12.38)	26.7 (12.11)	150.0 (45.72)
160.0 (48.77)							30.7 (13.93)	29.7 (13.47)	28.6 (12.97)	27.4 (12.43)	26.0 (11.79)	24.8 (11.25)	23.6 (10.70)	160.0 (48.77)
170.0 (51.82)								26.5 (12.02)	25.4 (11.52)	24.2 (10.98)	22.8 (10.34)	21.6 (9.80)	20.4 (9.25)	170.0 (51.82)
180.0 (54.86)								23.6 (10.70)	22.5 (10.21)	21.4 (9.71)	19.9 (9.03)	18.7 (8.48)	17.5 (7.94)	180.0 (54.86)
190.0 (57.91)									20.0 (9.07)	18.9 (8.57)	17.4 (7.89)	16.2 (7.35)	15.0 (6.80)	190.0 (57.91)
200.0 (60.96)									17.7 (8.03)	16.6 (7.53)	15.1 (6.85)	14.0 (6.35)	12.7 (5.76)	200.0 (60.96)
210.0 (64.01)										14.6 (6.62)	13.1 (5.94)	11.9 (5.40)	10.7 (4.85)	210.0 (64.01)
220.0 (67.06)											12.7 (5.76)	11.3 (5.13)	10.1 (4.58)	220.0 (67.06)
230.0 (70.10)												9.6 (4.35)	8.4 (3.81)	230.0 (70.10)
240.0 (73.15)													8.0 (3.63)	240.0 (73.15)
250.0 (76.20)													5.5 (2.49)	250.0 (76.20)
260.0 (79.25)													4.2 (1.91)	260.0 (79.25)

This material is supplied for reference use only. Operator must refer to in- cab Crane Rating Manual and Operator's Manual to determine allowable crane lifting capacities and assembly and operating procedures.

Working Range Diagram - Heavy Duty Boom - Retracted Gauge



Notes:

1. Boom geometry shown is for unloaded condition and crane standing level on firm supporting surface. Boom deflection, subsequent radius, and boom angle change must be accounted for when applying load to hook.

Heavy Duty Boom Load Chart - Retracted Gauge

Heavy Duty Boom With Combo Top - Retracted Gauge (19' 2") - 360° Rotation												
AB+A [163,740 + 75,400 lb (72 271 + 34 201kg)] Counterweight												
[All capacities are listed in kips (mt)]												
Load Radius ft (m)	Boom Length ft (m)											Load Radius ft (m)
	70 (21.3)	90 (27.4)	110 (33.5)	130 (39.6)	150 (45.7)	170 (51.8)	190 (57.9)	210 (64.0)	230 (70.1)	250 (76.2)	260 (79.2)	
16.0 (4.88)	547.8 (248.48)											16.0 (4.88)
17.0 (5.18)	518.8 (235.32)											17.0 (5.18)
18.0 (5.49)	492.1 (223.21)	476.6 (216.18)										18.0 (5.49)
19.0 (5.79)	467.9 (212.24)	464.1 (210.51)										19.0 (5.79)
20.0 (6.10)	445.8 (202.21)	442.3 (200.62)	420.7 (190.83)									20.0 (6.10)
30.0 (9.14)	258.9 (117.44)	258.8 (117.39)	258.4 (117.21)	257.8 (116.94)	257.2 (116.66)	256.5 (116.35)	247.1 (112.08)					30.0 (9.14)
40.0 (12.19)	168.5 (76.43)	168.2 (76.29)	167.9 (76.16)	167.2 (75.84)	166.4 (75.48)	165.5 (75.07)	164.6 (74.66)	163.7 (74.25)	162.8 (73.84)	154.6 (70.13)	141.6 (64.23)	40.0 (12.19)
50.0 (15.24)	123.2 (55.88)	123.0 (55.79)	122.3 (55.47)	121.5 (55.11)	120.6 (54.70)	119.6 (54.25)	118.6 (53.80)	117.6 (53.34)	116.6 (52.89)	115.7 (52.48)	115.2 (52.25)	50.0 (15.24)
60.0 (18.29)	95.7 (43.41)	95.6 (43.36)	95.0 (43.09)	94.2 (42.73)	93.2 (42.27)	92.2 (41.82)	91.2 (41.37)	90.1 (40.87)	89.0 (40.37)	88.0 (39.92)	87.5 (39.69)	60.0 (18.29)
70.0 (21.34)	77.0 (34.93)	77.2 (35.02)	76.6 (34.75)	75.7 (34.34)	74.7 (33.88)	73.6 (33.38)	72.5 (32.89)	71.4 (32.39)	70.2 (31.84)	69.1 (31.34)	68.5 (31.07)	70.0 (21.34)
80.0 (24.38)		64.1 (29.08)	63.6 (28.85)	62.7 (28.44)	61.8 (28.03)	60.7 (27.53)	59.7 (27.08)	58.5 (26.54)	57.4 (26.04)	56.2 (25.49)	55.6 (25.22)	80.0 (24.38)
90.0 (27.43)		53.9 (24.45)	53.6 (24.31)	52.8 (23.95)	51.8 (23.50)	50.7 (23.00)	49.6 (22.50)	48.5 (22.00)	47.3 (21.45)	46.0 (20.87)	45.5 (20.64)	90.0 (27.43)
100.0 (30.48)			45.8 (20.77)	45.0 (20.41)	44.0 (19.96)	43.0 (19.50)	41.8 (18.96)	40.7 (18.46)	39.5 (17.92)	38.1 (17.28)	37.5 (17.01)	100.0 (30.48)
110.0 (33.53)			39.9 (18.10)	38.8 (17.60)	37.8 (17.15)	36.7 (16.65)	35.6 (16.15)	34.4 (15.60)	33.2 (15.06)	32.4 (14.70)	31.8 (14.42)	110.0 (33.53)
120.0 (36.58)				33.6 (15.24)	33.0 (14.97)	32.0 (14.51)	30.9 (14.02)	29.8 (13.52)	28.6 (12.97)	27.2 (12.34)	26.6 (12.07)	120.0 (36.58)
130.0 (39.62)				30.2 (13.70)	28.6 (12.97)	27.7 (12.56)	26.6 (12.07)	25.5 (11.57)	24.3 (11.02)	22.9 (10.39)	22.3 (10.12)	130.0 (39.62)
140.0 (42.67)					24.9 (11.29)	24.0 (10.89)	23.0 (10.43)	21.8 (9.89)	20.6 (9.34)	19.2 (8.71)	18.6 (8.44)	140.0 (42.67)
150.0 (45.72)						20.9 (9.48)	19.8 (8.98)	18.7 (8.48)	17.5 (7.94)	16.1 (7.30)	15.5 (7.03)	150.0 (45.72)
160.0 (48.77)						18.1 (8.21)	17.1 (7.76)	16.0 (7.26)	14.8 (6.71)	13.3 (6.03)	12.7 (5.76)	160.0 (48.77)
170.0 (51.82)							14.7 (6.67)	13.6 (6.17)	12.4 (5.62)	10.9 (4.94)	10.3 (4.67)	170.0 (51.82)
180.0 (54.86)							12.5 (5.67)	11.5 (5.20)	10.3 (4.67)	8.8 (3.99)	8.2 (3.72)	180.0 (54.86)
190.0 (57.91)								9.6 (4.35)	8.4 (3.81)	6.9 (3.13)	6.3 (2.86)	190.0 (57.91)
200.0 (60.96)								7.9 (3.58)	6.7 (3.04)	5.2 (2.36)	4.7 (2.13)	200.0 (60.96)
210.0 (64.01)									5.2 (2.36)	3.7 (1.68)	3.1 (1.41)	210.0 (64.01)
220.0 (67.06)									3.8 (1.72)	2.3 (1.04)		220.0 (67.06)

This material is supplied for reference use only. Operator must refer to in- cab Crane Rating Manual and Operator's Manual to determine allowable crane lifting capacities and assembly and operating procedures.

Long Range Boom

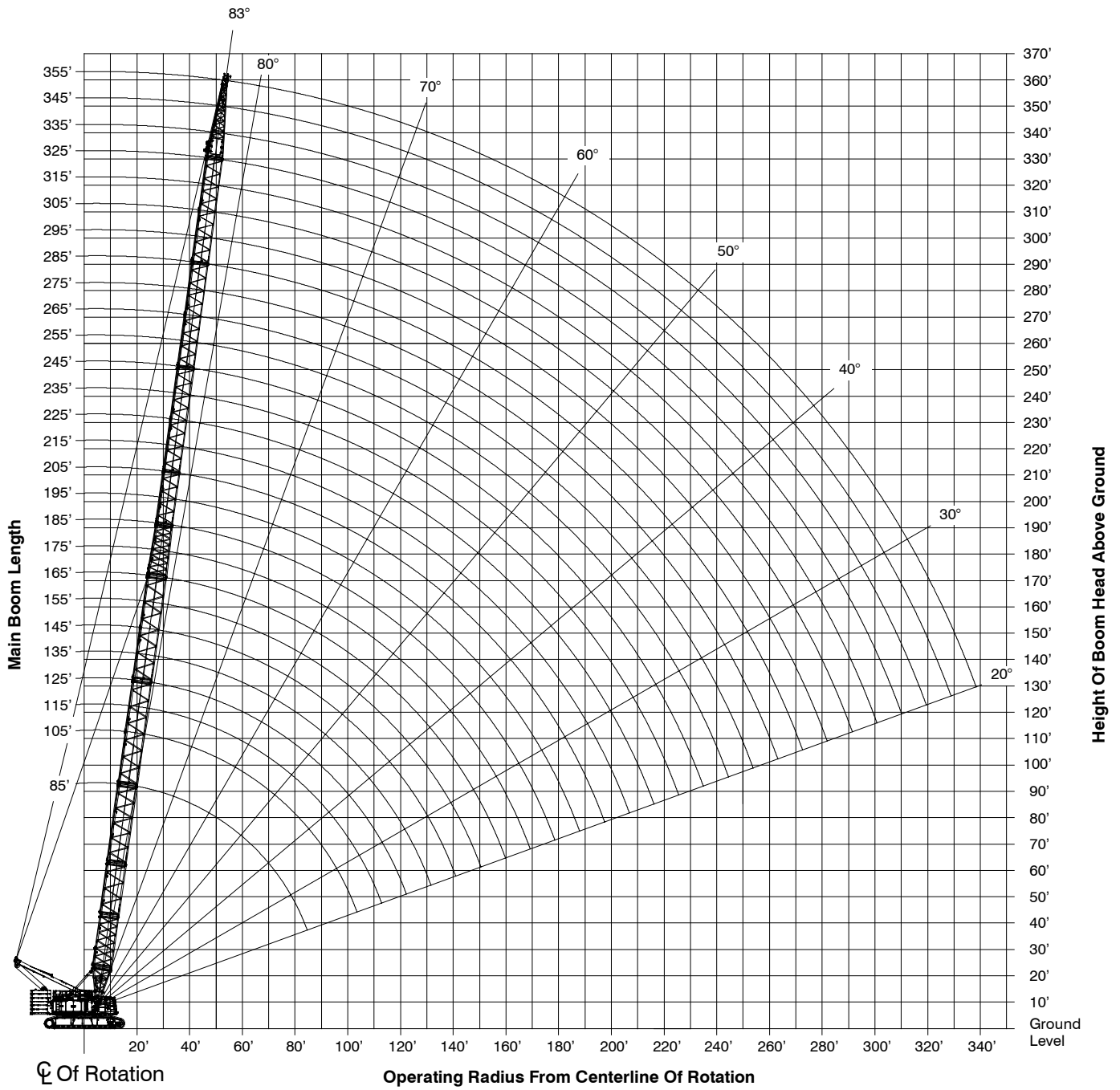
Boom Make- Up

Boom Length ft (m)	Boom Extensions - ft (m)										
	15 (4.57) "N" Base	20 (6.10) "JT" Base Ext	20 (6.10) "JC" Ext	30 (9.14) "JC" Ext	40 (12.19) "JC" Ext	20 (6.10) "JR" Tapered	10 (3.05) "FE" Ext	20 (6.10) "FE" Ext	30 (9.14) "FE" Ext	40 (12.19) "FE" Ext	30 (9.14) "G" Top
85 (25.91)	1	1				1					1
95 (28.96)	Not Recommended										
105 (32.00)	1	1	1			1					1
115 (35.05)	1	1		1		1					1
125 (38.10)	1	1			1	1					1
135 (41.15)	1	1	1	1		1					1
145 (44.20)	1	1	1		1	1					1
155 (47.24)	1	1		1	1	1					1
165 (50.29)	1	1			2	1					1
175 (53.34)	1	1	1	1	1	1					1
185 (56.39)	1	1	1		2	1					1
195 (59.44)	1	1		1	2	1					1
205 (62.48)	1	1	2		2	1					1
215 (65.53)	1	1	1	1	2	1					1
225 (68.58)	Not Recommended										
235 (71.63)	1	1	2	1	2	1					1
245 (74.68)	1	1	2	1	2	1	1				1
255 (77.72)	1	1	2	1	2	1		1			1
265 (80.77)	1	1	2	1	2	1			1		1
275 (83.82)	1	1	2	1	2	1				1	1
285 (86.87)	1	1	2	1	2	1	1			1	1
295 (89.92)	1	1	2	1	2	1		1		1	1
305 (92.96)	1	1	2	1	2	1			1	1	1
315 (96.01)	1	1	2	1	2	1				2	1
325 (99.06)	1	1	2	1	2	1	1			2	1
335 (102.11)	1	1	2	1	2	1		1		2	1
345 (105.16)	1	1	2	1	2	1			1	2	1
355 (108.20)	1	1	2	1	2	1	1		1	2	1

Notes:

- Capacities shown are in kips/metric tons (1 kip = 1,000 lb / 1 metric ton = 0.45 kips) and are not more than 75% of the tipping loads with the crane standing level on firm supporting surface. A deduction must be made from these capacities for weight of hook block, hook ball, sling, grapple, load weighing device, etc. When using main hook while jib or tip extension is attached, reduce capacities by values shown in Crane Rating Manual. See Operator's Manual for all limitations when raising or lowering attachment.
- The capacities in the shaded areas are based on structural strength. The capacities in the non- shaded areas are based on stability ratings.
- For recommended reeving, parts of line, wire rope type, and wire rope inspection, see Wire Rope Capacity Chart, Operator's Manual, and Parts Manual.
- Load ratings are based on freely suspended loads and make no allowances for such factors as the effect of the wind, ground conditions, and operating speeds. The operator shall therefore reduce load ratings in order to take these conditions into account. Refer to the Crane Rating Manual for Wind Speed Restrictions.
- The 30 ft (9.14m) live mast must be used for all capacities listed.
- The least stable rated condition is over the side.
- Booms must be erected and lowered over the end for maximum stability.
- Main boom length must not exceed 355 ft (108.20m).
- Do not operate at radii and boom lengths where the Crane Rating Manual lists no capacity. Do not use longer booms or jibs than those listed in the Crane Rating Manual. Any of the above can cause a tipping condition, or boom and jib failure.
- These capacities are in compliance with ASME/ANSI B30.5 at date of manufacture.
- These capacities apply only to the crane as originally manufactured and normally equipped by Link-Belt Construction Equipment Company.

Working Range Diagram - Long Range Boom - Extended Gauge



Notes:

1. Boom geometry shown is for unloaded condition and crane standing level on firm supporting surface. Boom deflection, subsequent radius, and boom angle change must be accounted for when applying load to hook.

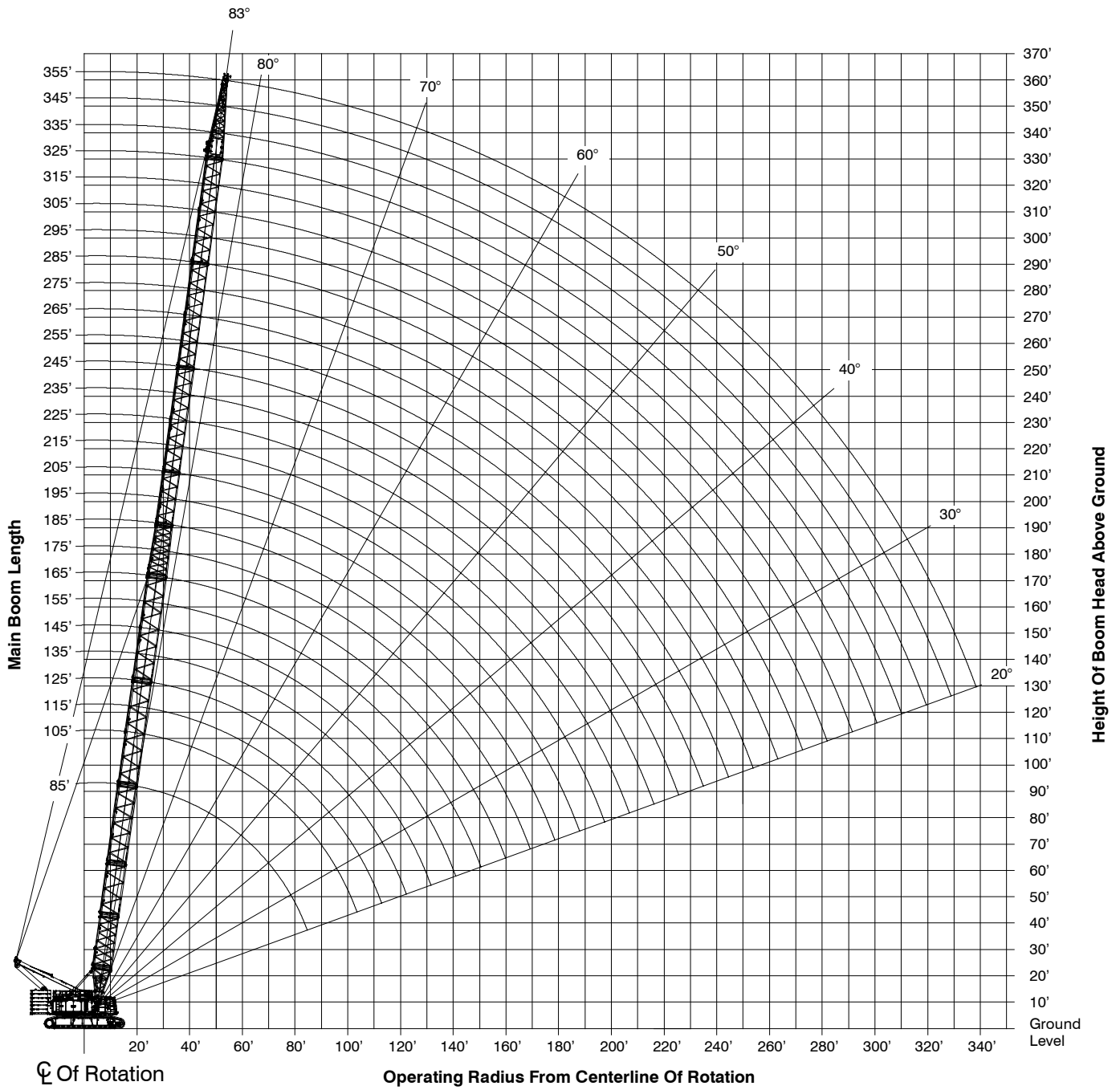
Long Range Boom Load Chart - Extended Gauge

Long Range Top - Extended Gauge (22') - 360° Rotation
 ABC + A [227,560 + 75,400 lb (103 219+ 34 201kg)] Counterweight
 [All capacities are listed in kips (mt)]

Load Radius ft (m)	Boom Length ft (m)															Load Radius ft (m)		
	85 (25.9)	105 (32.0)	125 (38.1)	145 (44.2)	165 (50.3)	185 (56.4)	205 (62.5)	215 (65.5)	245 (74.7)	265 (80.8)	285 (86.9)	305 (93.0)	325 (99.1)	345 (105.2)	355 (108.2)			
17.0 (5.18)	305.9 (138.75)															17.0 (5.18)		
18.0 (5.49)	297.5 (134.94)															18.0 (5.49)		
19.0 (5.79)	291.9 (132.40)															19.0 (5.79)		
20.0 (6.10)	285.5 (129.50)	282.8 (128.28)														20.0 (6.10)		
30.0 (9.14)	237.6 (107.77)	232.4 (105.41)	223.1 (101.20)	214.4 (97.25)	206.8 (93.80)											30.0 (9.14)		
40.0 (12.19)	203.3 (92.22)	196.8 (89.27)	187.7 (85.14)	179.7 (81.51)	172.7 (78.34)	165.0 (74.84)	158.4 (71.85)	155.1 (70.35)	147.4 (66.86)							40.0 (12.19)		
50.0 (15.24)	177.4 (80.47)	171.5 (77.79)	160.8 (72.94)	153.4 (69.58)	147.4 (66.86)	140.9 (63.91)	135.3 (61.37)	131.0 (59.42)	127.4 (57.79)	123.5 (56.02)	114.4 (51.89)	92.6 (42.00)				50.0 (15.24)		
60.0 (18.29)	139.6 (63.32)	138.9 (63.00)	137.9 (62.55)	134.5 (61.01)	126.9 (57.56)	121.3 (55.02)	116.0 (52.62)	113.5 (51.48)	112.0 (50.80)	110.3 (50.03)	105.4 (47.81)	89.7 (40.69)	70.6 (32.02)	56.6 (25.67)	50.9 (23.09)	60.0 (18.29)		
70.0 (21.34)	114.2 (51.80)	113.6 (51.53)	112.6 (51.07)	111.5 (50.58)	110.3 (50.03)	105.9 (48.04)	100.9 (45.77)	97.4 (44.18)	96.9 (43.95)	96.1 (43.59)	93.3 (42.32)	82.2 (37.29)	67.2 (30.48)	54.1 (24.54)	48.2 (21.86)	70.0 (21.34)		
80.0 (24.38)	96.1 (43.59)	95.6 (43.36)	94.7 (42.96)	93.7 (42.50)	92.5 (41.96)	91.3 (41.41)	87.0 (39.46)	84.8 (38.46)	85.2 (38.65)	84.8 (38.46)	82.5 (37.42)	73.1 (33.16)	61.7 (27.99)	50.6 (22.95)	45.6 (20.68)	80.0 (24.38)		
90.0 (27.43)		82.0 (37.19)	81.2 (36.83)	80.1 (36.33)	78.9 (35.79)	77.6 (35.20)	76.3 (34.61)	74.5 (33.79)	74.1 (33.61)	73.8 (33.48)	73.0 (33.11)	63.5 (28.80)	58.2 (26.40)	46.7 (21.18)	42.0 (19.05)	90.0 (27.43)		
100.0 (30.48)		71.5 (32.43)	70.6 (32.02)	69.5 (31.52)	68.3 (30.98)	67.1 (30.44)	66.2 (30.03)	64.4 (29.21)	64.0 (29.03)	63.8 (28.94)	63.4 (28.76)	56.6 (25.67)	53.5 (24.27)	43.1 (19.55)	38.6 (17.51)	100.0 (30.48)		
110.0 (33.53)			62.4 (28.30)	61.4 (27.85)	60.3 (27.35)	59.1 (26.81)	57.8 (26.22)	57.0 (25.85)	55.5 (25.17)	55.2 (25.04)	54.9 (24.90)	50.4 (22.86)	47.9 (21.73)	39.7 (18.01)	35.6 (16.15)	110.0 (33.53)		
120.0 (36.58)			55.5 (25.17)	54.5 (24.72)	53.4 (24.22)	52.2 (23.68)	50.9 (23.09)	50.2 (22.77)	48.6 (22.04)	48.3 (21.91)	47.9 (21.73)	44.8 (20.32)	43.0 (19.50)	35.7 (16.19)	31.6 (14.33)	120.0 (36.58)		
130.0 (39.62)				48.8 (22.14)	47.7 (21.64)	46.4 (21.05)	45.1 (20.46)	44.5 (20.18)	42.8 (19.41)	42.5 (19.28)	42.1 (19.10)	39.7 (18.01)	38.3 (17.37)	30.3 (13.74)	29.0 (13.15)	130.0 (39.62)		
140.0 (42.67)				43.9 (19.91)	42.8 (19.41)	41.6 (18.87)	40.3 (18.28)	39.6 (17.96)	37.9 (17.19)	37.6 (17.06)	37.2 (16.87)	35.1 (15.92)	34.1 (15.47)	26.8 (12.16)	25.6 (11.61)	140.0 (42.67)		
150.0 (45.72)					38.7 (17.55)	37.5 (17.01)	36.2 (16.42)	35.5 (16.10)	33.7 (15.29)	33.4 (15.15)	33.0 (14.97)	29.9 (13.56)	29.2 (13.24)	23.5 (10.66)	22.6 (10.25)	150.0 (45.72)		
160.0 (48.77)						33.9 (15.38)	32.4 (14.70)	30.7 (13.93)	30.6 (13.88)	30.4 (13.79)	30.0 (13.61)	26.5 (12.02)	25.9 (11.75)	20.6 (9.34)	19.9 (9.03)	160.0 (48.77)		
170.0 (51.82)							31.0 (14.06)	29.0 (13.15)	27.5 (12.47)	27.5 (12.47)	27.2 (12.34)	26.8 (12.16)	23.4 (10.61)	23.1 (10.48)	17.9 (8.12)	17.4 (7.89)	170.0 (51.82)	
180.0 (54.86)								26.1 (11.84)	24.6 (11.16)	24.7 (11.20)	24.3 (11.02)	23.8 (10.80)	20.6 (9.34)	20.4 (9.25)	15.5 (7.03)	15.0 (6.80)	180.0 (54.86)	
190.0 (57.91)								23.2 (10.52)	21.8 (9.89)	22.2 (10.07)	21.6 (9.80)	20.9 (9.48)	17.9 (8.12)	18.0 (8.16)	13.2 (5.99)	12.9 (5.85)	190.0 (57.91)	
200.0 (60.96)									19.4 (8.80)	19.5 (8.85)	19.0 (8.62)	18.4 (8.35)	15.6 (7.08)	15.8 (7.17)	11.2 (5.08)	10.8 (4.90)	200.0 (60.96)	
210.0 (64.01)										17.1 (7.76)	16.4 (7.44)	16.0 (7.26)	13.4 (6.08)	13.7 (6.21)	9.2 (4.17)	9.1 (4.13)	210.0 (64.01)	
220.0 (67.06)										14.7 (6.67)	14.1 (6.40)	13.8 (6.26)	11.4 (5.17)	11.8 (5.35)	7.6 (3.45)	7.4 (3.36)	220.0 (67.06)	
230.0 (70.10)										12.5 (5.67)	12.1 (5.49)	11.6 (5.26)	9.5 (4.31)	10.0 (4.54)	6.0 (2.72)	5.9 (2.68)	230.0 (70.10)	
240.0 (73.15)											10.0 (4.54)	9.8 (4.45)	7.9 (3.58)	8.4 (3.81)	4.5 (2.04)	4.5 (2.04)	240.0 (73.15)	
250.0 (76.20)												8.0 (3.63)	7.9 (3.58)	6.2 (2.81)	6.8 (3.08)	3.1 (1.41)	3.2 (1.45)	250.0 (76.20)
260.0 (79.25)													8.0 (3.63)	6.2 (2.81)	4.6 (2.09)	5.5 (2.49)	2.0 (0.91)	260.0 (79.25)
270.0 (82.30)														8.0 (3.63)	6.2 (2.81)	4.6 (2.09)	5.5 (2.49)	270.0 (82.30)
280.0 (85.34)																2.8 (1.27)		280.0 (85.34)

This material is supplied for reference use only. Operator must refer to in- cab Crane Rating Manual and Operator's Manual to determine allowable crane lifting capacities and assembly and operating procedures.

Working Range Diagram - Long Range Boom - Retracted Gauge



Notes:

1. Boom geometry shown is for unloaded condition and crane standing level on firm supporting surface. Boom deflection, subsequent radius, and boom angle change must be accounted for when applying load to hook.

Long Range Boom Load Chart - Retracted Gauge

Long Range Top - Retracted Gauge (19' 2") - 360° Rotation AB + A [163,740 + 75,400 lb (74 721 + 34 201kg)] Counterweight [All capacities are listed in kips (mt)]													
Load Radius ft (m)	Boom Length ft (m)												Load Radius ft (m)
	85 (25.9)	105 (32.0)	125 (38.1)	145 (44.2)	165 (50.3)	185 (56.4)	205 (62.5)	215 (65.5)	245 (74.7)	265 (80.8)	285 (86.9)	305 (93.0)	
17.0 (5.18)	305.9 (138.75)												17.0 (5.18)
18.0 (5.49)	295.7 (134.13)												18.0 (5.49)
19.0 (5.79)	291.9 (132.40)												19.0 (5.79)
20.0 (6.10)	285.5 (129.50)	282.8 (128.28)											20.0 (6.10)
30.0 (9.14)	237.6 (107.77)	232.4 (105.41)	223.1 (101.20)	214.4 (97.25)	206.8 (93.80)								30.0 (9.14)
40.0 (12.19)	171.8 (77.93)	171.2 (77.66)	170.3 (77.25)	169.3 (76.79)	168.2 (76.29)	165.0 (74.84)	158.4 (71.85)	147.5 (66.90)	147.4 (66.86)				40.0 (12.19)
50.0 (15.24)	126.9 (57.56)	126.2 (57.24)	125.3 (56.84)	124.3 (56.38)	123.2 (55.88)	122.0 (55.34)	120.9 (54.84)	120.3 (54.57)	119.1 (54.02)	118.9 (53.93)	114.4 (51.89)	92.6 (42.00)	50.0 (15.24)
60.0 (18.29)	99.7 (45.22)	99.1 (44.95)	98.2 (44.54)	97.2 (44.09)	96.0 (43.54)	94.9 (43.05)	93.7 (42.50)	93.0 (42.18)	91.8 (41.64)	91.5 (41.50)	91.2 (41.37)	89.7 (40.69)	60.0 (18.29)
70.0 (21.34)	81.4 (36.92)	80.8 (36.65)	79.9 (36.24)	78.8 (35.74)	77.6 (35.20)	76.4 (34.65)	75.1 (34.06)	74.5 (33.79)	73.1 (33.16)	72.8 (33.02)	72.4 (32.84)	72.0 (32.66)	70.0 (21.34)
80.0 (24.38)	68.2 (30.93)	67.7 (30.71)	67.1 (30.44)	66.0 (29.94)	64.9 (29.44)	63.7 (28.89)	62.4 (28.30)	61.8 (28.03)	60.3 (27.35)	60.1 (27.26)	59.8 (27.12)	59.4 (26.94)	80.0 (24.38)
90.0 (27.43)		58.0 (26.31)	57.2 (25.95)	56.1 (25.45)	55.0 (24.95)	53.8 (24.40)	52.5 (23.81)	51.8 (23.50)	50.3 (22.82)	50.0 (22.68)	49.7 (22.54)	49.3 (22.36)	90.0 (27.43)
100.0 (30.48)		50.3 (22.82)	49.5 (22.45)	48.4 (21.95)	47.3 (21.45)	46.0 (20.87)	44.8 (20.32)	44.1 (20.00)	42.5 (19.28)	42.2 (19.14)	41.8 (18.96)	41.4 (18.78)	100.0 (30.48)
110.0 (33.53)			43.3 (19.64)	42.3 (19.19)	41.1 (18.64)	39.9 (18.10)	38.6 (17.51)	37.9 (17.19)	36.2 (16.42)	35.9 (16.28)	35.5 (16.10)	35.1 (15.92)	110.0 (33.53)
120.0 (36.58)			38.2 (17.33)	37.2 (16.87)	36.1 (16.37)	34.8 (15.79)	33.5 (15.20)	33.3 (15.10)	31.7 (14.38)	31.5 (14.29)	31.1 (14.11)	30.7 (13.93)	120.0 (36.58)
130.0 (39.62)				33.2 (15.06)	32.1 (14.56)	31.0 (14.06)	29.7 (13.47)	29.1 (13.20)	27.4 (12.43)	27.2 (12.34)	26.8 (12.16)	26.4 (11.97)	130.0 (39.62)
140.0 (42.67)				29.5 (13.38)	28.5 (12.93)	27.4 (12.43)	26.1 (11.84)	25.5 (11.57)	23.8 (10.80)	23.5 (10.66)	23.2 (10.52)	22.8 (10.34)	140.0 (42.67)
150.0 (45.72)					25.4 (11.52)	24.3 (11.02)	23.0 (10.43)	22.4 (10.16)	20.7 (9.39)	20.4 (9.25)	20.1 (9.12)	19.7 (8.94)	150.0 (45.72)
160.0 (48.77)						21.6 (9.80)	20.4 (9.25)	19.7 (8.94)	18.0 (8.16)	17.7 (8.03)	17.4 (7.89)	16.9 (7.67)	160.0 (48.77)
170.0 (51.82)						19.2 (8.71)	18.0 (8.16)	17.4 (7.89)	15.7 (7.12)	15.4 (6.99)	15.0 (6.80)	14.6 (6.62)	170.0 (51.82)
180.0 (54.86)							15.9 (7.21)	15.3 (6.94)	13.6 (6.17)	13.3 (6.03)	12.9 (5.85)	12.5 (5.67)	180.0 (54.86)
190.0 (57.91)							14.1 (6.40)	13.4 (6.08)	11.7 (5.31)	11.4 (5.17)	11.1 (5.03)	10.6 (4.81)	190.0 (57.91)
200.0 (60.96)								11.8 (5.35)	10.0 (4.54)	9.8 (4.45)	9.4 (4.26)	9.0 (4.08)	200.0 (60.96)
210.0 (64.01)									8.5 (3.86)	8.3 (3.76)	7.9 (3.58)	7.5 (3.40)	210.0 (64.01)
220.0 (67.06)									7.2 (3.27)	6.9 (3.13)	6.5 (2.95)	6.1 (2.77)	220.0 (67.06)
230.0 (70.10)									5.9 (2.68)	5.7 (2.59)	5.3 (2.40)	4.9 (2.22)	230.0 (70.10)
240.0 (73.15)										4.5 (2.04)	4.2 (1.91)	3.8 (1.72)	240.0 (73.15)
250.0 (76.20)										3.5 (1.59)	3.2 (1.45)	2.7 (1.22)	250.0 (76.20)
260.0 (79.25)											2.2 (1.00)		260.0 (79.25)

This material is supplied for reference use only. Operator must refer to in-cab Crane Rating Manual and Operator's Manual to determine allowable crane lifting capacities and assembly and operating procedures.

Jib Attachment Load Chart - Extended Gauge + 40 ft (12.9m)

Heavy Duty Boom With Combo Top + 40 ft (12.9m) Offset Tube Jib - Extended Gauge (22") - 360° Rotation
ABC + A [227,560 + 75,400 lb (103 219 + 34 201kg)] Counterweight
 [All capacities are listed in kips (m)]

Load Radius ft (m)	5° Offset					Load Radius ft (m)	15° Offset					Load Radius ft (m)	30° Offset					Load Radius ft (m)
	Boom Length ft (m)						Boom Length ft (m)						Boom Length ft (m)					
	70 (21.3)	120 (36.6)	170 (51.8)	220 (67.1)	270 (82.3)		70 (21.3)	120 (36.6)	170 (51.8)	220 (67.1)	270 (82.3)		70 (21.3)	120 (36.6)	170 (51.8)	220 (67.1)	270 (82.3)	
30.0 (9.14)	128.0 (58.06)	128.0 (58.06)				30.0 (9.14)	128.0 (58.06)				30.0 (9.14)					30.0 (9.14)		
40.0 (12.19)	128.0 (58.06)	128.0 (58.06)	128.0 (58.06)			40.0 (12.19)	113.0 (51.26)	124.3 (56.38)			40.0 (12.19)	71.9 (32.61)				40.0 (12.19)		
50.0 (15.24)	123.9 (56.20)	128.0 (58.06)	127.5 (57.83)	120.9 (54.84)	89.1 (40.42)	50.0 (15.24)	97.7 (44.32)	114.6 (51.98)	119.3 (54.11)	114.1 (51.75)	50.0 (15.24)	65.9 (29.89)	69.8 (31.66)	73.3 (33.25)		50.0 (15.24)		
60.0 (18.29)	107.2 (48.63)	124.5 (56.47)	124.3 (56.38)	118.5 (53.75)	87.3 (39.60)	60.0 (18.29)	94.5 (42.86)	101.5 (46.04)	115.2 (52.25)	112.0 (50.80)	60.0 (18.29)	59.3 (26.90)	66.8 (30.30)	68.6 (31.12)	71.4 (32.39)	60.0 (18.29)		
70.0 (21.34)	94.0 (42.64)	109.7 (49.76)	106.7 (48.40)	103.8 (47.08)	85.5 (38.78)	70.0 (21.34)	74.6 (33.84)	93.4 (42.37)	104.8 (47.54)	106.1 (48.13)	81.9 (37.15)	70.0 (21.34)	54.2 (24.58)	62.0 (28.12)	66.7 (30.25)	67.7 (30.71)	70.0 (21.34)	
80.0 (24.38)	82.1 (37.24)	91.7 (41.59)	88.7 (40.23)	85.7 (38.87)	82.8 (37.56)	80.0 (24.38)	67.3 (30.53)	84.8 (38.46)	90.1 (40.87)	87.6 (39.73)	79.8 (36.20)	80.0 (24.38)	50.2 (22.77)	58.0 (26.31)	63.3 (28.71)	66.5 (30.16)	67.0 (30.39)	80.0 (24.38)
90.0 (27.43)	73.1 (33.16)	78.0 (35.38)	74.9 (33.97)	71.8 (32.57)	68.7 (31.16)	90.0 (27.43)	63.0 (28.58)	77.7 (35.24)	76.1 (34.52)	73.4 (33.29)	70.7 (32.07)	90.0 (27.43)	47.2 (21.41)	54.7 (24.81)	60.1 (27.26)	64.1 (29.08)	65.7 (29.80)	90.0 (27.43)
100.0 (30.48)	67.4 (30.57)	67.4 (30.57)	64.6 (29.30)	61.6 (27.94)	58.5 (26.54)	100.0 (30.48)	58.2 (26.40)	67.8 (30.75)	65.5 (29.71)	62.9 (28.53)	60.2 (27.31)	100.0 (30.48)	45.3 (20.55)	51.8 (23.50)	57.3 (25.99)	61.4 (27.85)	62.4 (28.30)	100.0 (30.48)
110.0 (33.53)	61.9 (28.08)	59.2 (26.85)	56.1 (25.45)	53.0 (24.04)	49.8 (22.59)	110.0 (33.53)	54.8 (24.86)	59.5 (26.99)	56.9 (25.81)	54.1 (24.54)	51.3 (23.27)	110.0 (33.53)		49.5 (22.45)	54.8 (24.86)	55.7 (25.27)	53.3 (24.18)	110.0 (33.53)
120.0 (36.58)		52.3 (23.72)	49.2 (22.32)	46.0 (20.87)	42.8 (19.41)	120.0 (36.58)		52.4 (23.77)	49.7 (22.54)	46.9 (21.27)	44.1 (20.00)	120.0 (36.58)		47.6 (21.59)	50.8 (23.04)	48.4 (21.95)	45.8 (20.77)	120.0 (36.58)
130.0 (39.62)		46.5 (21.09)	43.4 (19.69)	40.2 (18.23)	36.9 (16.74)	130.0 (39.62)		46.5 (21.09)	43.8 (19.87)	41.0 (18.60)	38.1 (17.28)	130.0 (39.62)		46.1 (20.91)	44.7 (20.28)	42.2 (19.14)	39.6 (17.96)	130.0 (39.62)
140.0 (42.67)		41.6 (18.87)	38.5 (17.46)	35.3 (16.01)	32.5 (14.74)	140.0 (42.67)		41.5 (18.82)	38.8 (17.60)	35.9 (16.28)	33.0 (14.97)	140.0 (42.67)		41.8 (18.96)	39.6 (17.96)	37.0 (16.78)	34.4 (15.60)	140.0 (42.67)
150.0 (45.72)		37.4 (16.96)	34.3 (15.56)	31.5 (14.29)	28.2 (12.79)	150.0 (45.72)		37.1 (16.83)	34.5 (15.65)	32.1 (14.56)	29.2 (13.24)	150.0 (45.72)			35.2 (15.97)	33.0 (14.97)	30.4 (13.79)	150.0 (45.72)
160.0 (48.77)			31.0 (14.06)	27.9 (12.66)	24.5 (11.11)	160.0 (48.77)			31.1 (14.11)	28.3 (12.84)	25.4 (11.52)	160.0 (48.77)			31.6 (14.33)	29.1 (13.20)	26.5 (12.02)	160.0 (48.77)
170.0 (51.82)			27.8 (12.61)	24.7 (11.20)	21.3 (9.66)	170.0 (51.82)			27.8 (12.61)	25.0 (11.34)	22.1 (10.02)	170.0 (51.82)			28.2 (12.79)	25.8 (11.70)	23.1 (10.48)	170.0 (51.82)
180.0 (54.86)			25.0 (11.34)	21.8 (9.89)	18.5 (8.39)	180.0 (54.86)			24.9 (11.29)	22.1 (10.02)	19.2 (8.71)	180.0 (54.86)			25.2 (11.43)	22.7 (10.30)	20.1 (9.12)	180.0 (54.86)
190.0 (57.91)			22.5 (10.21)	19.3 (8.75)	15.9 (7.21)	190.0 (57.91)			22.3 (10.12)	19.6 (8.89)	16.6 (7.53)	190.0 (57.91)				20.1 (9.12)	17.4 (7.89)	190.0 (57.91)
200.0 (60.96)			20.2 (9.16)	17.1 (15.10)	13.7 (6.21)	200.0 (60.96)			19.9 (9.03)	17.2 (7.80)	14.3 (6.49)	200.0 (60.96)				17.7 (8.03)	15.0 (6.80)	200.0 (60.96)
210.0 (64.01)				13.2 (5.99)	11.6 (5.26)	210.0 (64.01)				15.1 (6.85)	12.2 (5.53)	210.0 (64.01)				15.5 (7.03)	12.8 (5.81)	210.0 (64.01)
220.0 (67.06)				11.6 (5.26)	9.8 (4.45)	220.0 (67.06)				13.2 (5.99)	10.3 (4.67)	220.0 (67.06)				13.5 (6.12)	10.8 (4.90)	220.0 (67.06)
230.0 (70.10)				10.0 (4.54)	8.1 (3.67)	230.0 (70.10)				11.5 (5.22)	8.6 (3.90)	230.0 (70.10)					9.0 (4.08)	230.0 (70.10)
240.0 (73.15)					6.6 (2.99)	240.0 (73.15)				9.9 (4.49)	7.0 (3.18)	240.0 (73.15)					7.4 (3.36)	240.0 (73.15)
250.0 (76.20)					5.2 (2.36)	250.0 (76.20)				8.4 (3.81)	5.5 (2.49)	250.0 (76.20)					5.8 (2.63)	250.0 (76.20)
260.0 (79.25)					3.9 (1.77)	260.0 (79.25)					4.2 (1.91)	260.0 (79.25)					4.4 (2.00)	260.0 (79.25)
270.0 (82.30)					2.3 (1.04)	270.0 (82.30)					2.6 (1.18)	270.0 (82.30)						270.0 (82.30)

This material is supplied for reference use only. Operator must refer to in- cab Crane Rating Manual and Operator's Manual to determine allowable crane lifting capacities and assembly and operating procedures.

Jib Attachment Load Chart - Extended Gauge + 100 ft (30.48m)

Heavy Duty Boom With Combo Top + 100 ft (30.48m) Offset Tube Jib - Extended Gauge (22") - 360° Rotation
ABC + A [227,560 + 75,400 lb (103 219 + 34 201kg)] Counterweight
 [All capacities are listed in kips (mt)]

Load Radius ft (m)	5° Offset					Load Radius ft (m)	15° Offset					Load Radius ft (m)	30° Offset					Load Radius ft (m)
	Boom Length ft (m)						Boom Length ft (m)						Boom Length ft (m)					
	70 (21.3)	120 (36.6)	170 (51.8)	220 (67.1)	250 (76.2)		70 (21.3)	120 (36.6)	170 (51.8)	220 (67.1)	250 (76.2)		70 (21.3)	120 (36.6)	170 (51.8)	220 (67.1)	250 (76.2)	
40.0 (12.19)	59.3 (26.90)					40.0 (12.19)						40.0 (12.19)						40.0 (12.19)
50.0 (15.24)	55.6 (25.22)	57.3 (25.99)	56.5 (25.63)			50.0 (15.24)						50.0 (15.24)						50.0 (15.24)
60.0 (18.29)	52.0 (23.59)	54.8 (24.86)	55.1 (24.99)	52.9 (24.00)	50.7 (23.00)	60.0 (18.29)	48.2 (17.86)	49.5 (22.45)				60.0 (18.29)						60.0 (18.29)
70.0 (21.34)	48.8 (22.14)	52.1 (23.63)	53.5 (24.27)	52.5 (23.81)	50.3 (22.82)	70.0 (21.34)	43.3 (19.64)	47.3 (21.45)	47.9 (21.73)	47.7 (21.64)		70.0 (21.34)						70.0 (21.34)
80.0 (24.38)	46.0 (20.87)	49.6 (22.50)	51.5 (23.36)	51.3 (23.27)	50.0 (22.68)	80.0 (24.38)	38.5 (17.46)	43.9 (19.91)	46.2 (20.96)	46.3 (21.00)	43.4 (19.69)	80.0 (24.38)	28.7 (13.02)	30.3 (13.74)				80.0 (24.38)
90.0 (27.43)	42.4 (19.23)	47.4 (21.50)	49.5 (22.45)	50.2 (22.77)	49.2 (22.32)	90.0 (27.43)	34.6 (15.69)	40.0 (18.14)	44.2 (20.05)	44.9 (20.37)	43.0 (19.50)	90.0 (27.43)	26.2 (11.88)	28.2 (12.79)	29.5 (13.38)			90.0 (27.43)
100.0 (30.48)	38.0 (17.24)	45.3 (20.55)	47.7 (21.64)	48.6 (22.04)	48.2 (21.86)	100.0 (30.48)	33.3 (15.10)	36.7 (16.65)	40.9 (18.55)	43.6 (19.78)	42.6 (19.32)	100.0 (30.48)	24.1 (10.93)	26.3 (11.93)	27.8 (12.61)	28.9 (13.11)	27.2 (12.34)	100.0 (30.48)
110.0 (33.53)	34.4 (15.60)	43.2 (19.60)	46.0 (20.87)	47.1 (21.36)	47.1 (21.36)	110.0 (33.53)	30.4 (13.79)	33.9 (15.38)	38.1 (17.28)	41.4 (18.78)	42.2 (19.14)	110.0 (33.53)	22.3 (10.12)	24.7 (11.20)	26.4 (11.97)	27.6 (12.52)	27.0 (12.25)	110.0 (33.53)
120.0 (36.58)	33.0 (14.97)	39.6 (17.96)	44.4 (20.14)	45.8 (20.77)	45.8 (20.77)	120.0 (36.58)	27.9 (12.66)	33.4 (15.15)	35.6 (16.15)	39.0 (17.69)	40.7 (18.46)	120.0 (36.58)	20.9 (9.48)	23.3 (10.57)	25.0 (11.34)	26.3 (11.93)	26.8 (12.16)	120.0 (36.58)
130.0 (39.62)	30.3 (13.74)	36.5 (16.56)	42.9 (19.46)	42.7 (19.37)	40.8 (18.51)	130.0 (39.62)	25.9 (11.75)	31.2 (14.15)	33.4 (15.15)	36.7 (16.65)	38.5 (17.46)	130.0 (39.62)	19.6 (8.89)	22.1 (10.02)	23.9 (10.84)	25.2 (11.43)	25.9 (11.75)	130.0 (39.62)
140.0 (42.67)	27.9 (12.66)	33.8 (15.33)	40.6 (18.42)	37.7 (17.10)	35.8 (16.24)	140.0 (42.67)	24.1 (10.93)	29.2 (13.24)	33.3 (15.10)	34.8 (15.79)	36.5 (16.56)	140.0 (42.67)	18.5 (8.39)	21.0 (9.53)	22.8 (10.34)	24.2 (10.98)	24.9 (11.29)	140.0 (42.67)
150.0 (45.72)	25.9 (11.75)	33.3 (15.10)	36.6 (16.60)	33.5 (15.20)	32.1 (14.56)	150.0 (45.72)	22.6 (10.25)	27.5 (12.47)	31.7 (14.38)	33.0 (14.97)	33.7 (15.29)	150.0 (45.72)	17.7 (8.03)	20.0 (9.07)	21.9 (9.93)	23.3 (10.57)	24.0 (10.89)	150.0 (45.72)
160.0 (48.77)	24.2 (10.98)	31.1 (14.11)	32.8 (14.88)	30.4 (13.79)	28.4 (12.88)	160.0 (48.77)	21.4 (9.71)	25.9 (11.75)	30.0 (13.61)	31.9 (14.47)	30.4 (13.79)	160.0 (48.77)	17.1 (7.76)	19.2 (8.71)	21.0 (9.53)	22.4 (10.16)	23.2 (10.52)	160.0 (48.77)
170.0 (51.82)		29.2 (13.24)	30.2 (13.70)	27.1 (12.29)	25.1 (11.39)	170.0 (51.82)		24.6 (11.16)	28.5 (12.93)	28.5 (12.93)	26.9 (12.20)	170.0 (51.82)		18.4 (8.35)	20.2 (9.16)	21.7 (9.84)	22.4 (10.16)	170.0 (51.82)
180.0 (54.86)		27.5 (12.47)	27.4 (12.43)	24.3 (11.02)	22.3 (10.12)	180.0 (54.86)		23.4 (10.61)	27.2 (12.34)	25.5 (11.57)	23.9 (10.84)	180.0 (54.86)		17.8 (8.07)	19.5 (8.85)	21.0 (9.53)	21.7 (9.84)	180.0 (54.86)
190.0 (57.91)		26.0 (11.79)	24.9 (11.29)	21.7 (9.84)	19.7 (8.94)	190.0 (57.91)		22.4 (10.16)	25.6 (11.61)	22.9 (10.39)	21.2 (9.62)	190.0 (57.91)		17.3 (7.85)	18.9 (8.57)	20.3 (9.21)	21.1 (9.57)	190.0 (57.91)
200.0 (60.96)		24.6 (11.16)	22.6 (10.25)	19.5 (8.85)	17.4 (7.89)	200.0 (60.96)		21.5 (9.75)	23.2 (10.52)	20.5 (9.30)	18.8 (8.53)	200.0 (60.96)		17.0 (7.71)	18.4 (8.35)	19.7 (8.94)	20.5 (9.30)	200.0 (60.96)
210.0 (64.01)		23.5 (10.66)	20.6 (9.34)	17.4 (7.89)	15.3 (6.94)	210.0 (64.01)		20.8 (9.43)	21.1 (9.57)	18.3 (8.30)	16.7 (7.57)	210.0 (64.01)			17.9 (8.12)	19.2 (8.71)	18.4 (8.35)	210.0 (64.01)
220.0 (67.06)			18.7 (8.48)	15.6 (7.08)	13.5 (6.12)	220.0 (67.06)			19.1 (8.66)	16.4 (7.44)	14.7 (6.67)	220.0 (67.06)			17.5 (7.94)	17.7 (8.03)	16.3 (7.39)	220.0 (67.06)
230.0 (70.10)			17.1 (7.76)	13.9 (6.30)	11.8 (5.35)	230.0 (70.10)			17.4 (7.89)	14.6 (6.62)	12.9 (5.85)	230.0 (70.10)			17.1 (7.76)	15.8 (7.17)	14.3 (6.49)	230.0 (70.10)
240.0 (73.15)			15.5 (7.03)	12.3 (5.58)	10.2 (4.63)	240.0 (73.15)			15.7 (7.12)	13.0 (5.90)	11.3 (5.13)	240.0 (73.15)			16.2 (7.35)	14.0 (6.35)	12.5 (5.67)	240.0 (73.15)
250.0 (76.20)			14.1 (6.40)	10.9 (4.94)	8.8 (3.99)	250.0 (76.20)			14.2 (6.44)	11.5 (5.22)	9.8 (4.45)	250.0 (76.20)				12.4 (5.62)	10.9 (4.94)	250.0 (76.20)
260.0 (79.25)			12.8 (5.81)	9.6 (4.35)	7.5 (3.40)	260.0 (79.25)			12.8 (5.81)	10.1 (4.58)	8.4 (3.81)	260.0 (79.25)				10.9 (4.94)	9.4 (4.26)	260.0 (79.25)
270.0 (82.30)				8.4 (3.81)	6.3 (2.86)	270.0 (82.30)				8.8 (3.99)	7.1 (3.22)	270.0 (82.30)				9.4 (4.26)	8.0 (3.63)	270.0 (82.30)
280.0 (85.34)				7.3 (3.31)	5.2 (2.36)	280.0 (85.34)				7.6 (3.45)	5.9 (2.68)	280.0 (85.34)				8.1 (3.67)	6.7 (3.04)	280.0 (85.34)
290.0 (88.39)				6.3 (2.86)	4.1 (1.86)	290.0 (88.39)				6.5 (2.95)	4.8 (2.18)	290.0 (88.39)					5.4 (2.45)	290.0 (88.39)
300.0 (91.44)				5.2 (2.36)	3.1 (1.41)	300.0 (91.44)				5.3 (2.40)	3.7 (1.68)	300.0 (91.44)					4.3 (1.95)	300.0 (91.44)

This material is supplied for reference use only. Operator must refer to in- cab Crane Rating Manual and Operator's Manual to determine allowable crane lifting capacities and assembly and operating procedures.

Jib Attachment Load Chart - Extended Gauge + 140 ft (42.67m)

Heavy Duty Boom With Combo Top + 140 ft (42.67m) Offset Tube Jib - Extended Gauge (22") - 360° Rotation ABC + A [227,560 + 75,400 lb (103 219 + 34 201kg)] Counterweight [All capacities are listed in kips (m)]																		
Load Radius ft (m)	5° Offset					Load Radius ft (m)	15° Offset					Load Radius ft (m)	30° Offset					Load Radius ft (m)
	Boom Length ft (m)						Boom Length ft (m)						Boom Length ft (m)					
	70 (21.3)	120 (36.6)	160 (48.8)	200 (61.0)	240 (73.2)		70 (21.3)	120 (36.6)	160 (48.8)	200 (61.0)	240 (73.2)		70 (21.3)	120 (36.6)	160 (48.8)	200 (61.0)	240 (73.2)	
50.0 (15.24)	29.2 (13.24)	29.0 (13.15)				50.0 (15.24)						50.0 (15.24)					50.0 (15.24)	
60.0 (18.29)	28.7 (13.02)	28.5 (12.93)	28.2 (12.79)	27.6 (12.52)		60.0 (18.29)						60.0 (18.29)					60.0 (18.29)	
70.0 (21.34)	28.1 (12.75)	28.1 (12.75)	27.8 (12.61)	27.2 (12.34)	26.6 (12.07)	70.0 (21.34)	27.4 (12.43)					70.0 (21.34)					70.0 (21.34)	
80.0 (24.38)	27.5 (12.47)	27.6 (12.52)	27.4 (12.43)	27.0 (12.25)	26.3 (11.93)	80.0 (24.38)	25.6 (11.61)	26.7 (12.11)	26.5 (12.02)			80.0 (24.38)					80.0 (24.38)	
90.0 (27.43)	26.0 (11.79)	27.2 (12.34)	27.0 (12.25)	26.6 (12.07)	26.0 (11.79)	90.0 (27.43)	24.0 (10.89)	25.3 (11.48)	25.9 (11.75)	25.8 (11.70)	25.0 (11.34)	90.0 (27.43)					90.0 (27.43)	
100.0 (30.48)	24.3 (11.02)	26.8 (12.16)	26.7 (12.11)	26.4 (11.97)	25.7 (11.66)	100.0 (30.48)	22.5 (10.21)	24.0 (10.89)	24.8 (11.25)	25.3 (11.48)	24.8 (11.25)	100.0 (30.48)	18.9 (8.57)				100.0 (30.48)	
110.0 (33.53)	22.7 (10.30)	25.4 (11.52)	26.4 (11.97)	26.1 (11.84)	25.5 (11.57)	110.0 (33.53)	21.1 (9.57)	22.8 (10.34)	23.7 (10.75)	24.3 (11.02)	24.6 (11.16)	110.0 (33.53)	17.3 (7.85)	18.3 (8.30)	17.8 (8.07)		110.0 (33.53)	
120.0 (36.58)	21.3 (9.66)	24.0 (10.89)	25.6 (11.61)	25.8 (11.70)	25.2 (11.43)	120.0 (36.58)	19.8 (8.98)	21.7 (9.84)	22.7 (10.30)	23.4 (10.61)	23.8 (10.80)	120.0 (36.58)	16.0 (7.26)	17.1 (7.76)	17.8 (8.07)	16.6 (7.53)	15.5 (7.03)	120.0 (36.58)
130.0 (39.62)	19.9 (9.03)	22.8 (10.34)	24.5 (11.11)	25.6 (11.61)	25.1 (11.39)	130.0 (39.62)	18.6 (8.44)	20.6 (9.34)	21.7 (9.84)	22.5 (10.21)	23.0 (10.43)	130.0 (39.62)	14.8 (6.71)	16.1 (7.30)	16.8 (7.62)	16.6 (7.53)	15.4 (6.99)	130.0 (39.62)
140.0 (42.67)	18.7 (8.48)	21.6 (9.80)	23.4 (10.61)	24.7 (11.20)	24.8 (11.25)	140.0 (42.67)	17.5 (7.94)	19.6 (8.89)	20.8 (9.43)	21.7 (9.84)	22.2 (10.07)	140.0 (42.67)	13.8 (6.26)	15.1 (6.85)	15.9 (7.21)	16.5 (7.48)	15.4 (6.99)	140.0 (42.67)
150.0 (45.72)	17.6 (7.98)	20.5 (9.30)	22.3 (10.12)	23.7 (10.75)	24.6 (11.16)	150.0 (45.72)	16.5 (7.48)	18.7 (8.48)	19.9 (9.03)	20.9 (9.48)	21.5 (9.75)	150.0 (45.72)	12.9 (5.85)	14.3 (6.49)	15.1 (6.85)	15.8 (7.17)	15.3 (6.94)	150.0 (45.72)
160.0 (48.77)	16.5 (7.48)	19.5 (8.85)	21.4 (9.71)	22.8 (10.34)	23.8 (10.80)	160.0 (48.77)	15.6 (7.08)	17.8 (8.07)	19.1 (8.66)	20.1 (9.12)	20.8 (9.43)	160.0 (48.77)	12.1 (5.49)	13.5 (6.12)	14.4 (6.53)	15.1 (6.85)	15.3 (6.94)	160.0 (48.77)
170.0 (51.82)	15.5 (7.03)	18.5 (8.39)	20.4 (9.25)	21.9 (9.93)	23.0 (10.43)	170.0 (51.82)	14.8 (6.71)	17.0 (7.71)	18.3 (8.30)	19.4 (8.80)	20.1 (9.12)	170.0 (51.82)	11.4 (5.17)	12.9 (5.85)	13.7 (6.21)	14.5 (6.58)	15.0 (6.80)	170.0 (51.82)
180.0 (54.86)	14.7 (6.67)	17.6 (7.98)	19.5 (8.85)	21.1 (9.57)	22.2 (10.07)	180.0 (54.86)	14.0 (6.35)	16.2 (7.35)	17.6 (7.98)	18.7 (8.48)	19.5 (8.85)	180.0 (54.86)	10.9 (4.94)	12.3 (5.58)	13.1 (5.94)	13.9 (6.30)	14.5 (6.58)	180.0 (54.86)
190.0 (57.91)	13.9 (6.30)	16.8 (7.62)	18.7 (8.48)	20.3 (9.21)	21.5 (9.75)	190.0 (57.91)	13.4 (6.08)	15.5 (7.03)	16.9 (7.67)	18.0 (8.16)	18.9 (8.57)	190.0 (57.91)	10.4 (4.72)	11.7 (5.31)	12.6 (5.72)	13.3 (6.03)	13.9 (6.30)	190.0 (57.91)
200.0 (60.96)	13.2 (5.99)	16.0 (7.26)	17.9 (8.12)	19.5 (8.85)	19.2 (8.71)	200.0 (60.96)	12.9 (5.85)	14.9 (6.76)	16.3 (7.39)	17.4 (7.89)	18.3 (8.30)	200.0 (60.96)	10.1 (4.58)	11.2 (5.08)	12.1 (5.49)	12.8 (5.81)	13.5 (6.12)	200.0 (60.96)
210.0 (64.01)		15.2 (6.89)	17.1 (7.76)	18.8 (8.53)	17.1 (7.76)	210.0 (64.01)		14.3 (6.49)	15.7 (7.12)	16.8 (7.62)	17.7 (8.03)	210.0 (64.01)		10.8 (4.90)	11.7 (5.31)	12.4 (5.62)	13.0 (5.90)	210.0 (64.01)
220.0 (67.06)		14.6 (6.62)	16.4 (7.44)	17.7 (8.03)	15.2 (6.89)	220.0 (67.06)		13.7 (6.21)	15.1 (6.85)	16.2 (7.35)	16.7 (7.57)	220.0 (67.06)		10.5 (4.76)	11.3 (5.13)	12.0 (5.44)	12.6 (5.72)	220.0 (67.06)
230.0 (70.10)		13.9 (6.30)	15.8 (7.17)	16.0 (7.26)	13.5 (6.12)	230.0 (70.10)		13.3 (6.03)	14.6 (6.62)	15.7 (7.12)	14.9 (6.76)	230.0 (70.10)		10.2 (4.63)	10.9 (4.94)	11.6 (5.26)	12.2 (5.53)	230.0 (70.10)
240.0 (73.15)		13.4 (6.08)	15.2 (6.89)	14.5 (6.58)	12.0 (5.44)	240.0 (73.15)		14.1 (6.40)	15.2 (6.89)	13.2 (5.99)		240.0 (73.15)		10.0 (4.54)	10.6 (4.81)	11.2 (5.08)	11.8 (5.35)	240.0 (73.15)
250.0 (76.20)		13.0 (5.90)	14.6 (6.62)	13.1 (5.94)	10.6 (4.81)	250.0 (76.20)		13.7 (6.21)	13.9 (6.30)	11.7 (5.31)		250.0 (76.20)			10.3 (4.67)	10.9 (4.94)	10.9 (4.94)	250.0 (76.20)
260.0 (79.25)			14.1 (6.40)	11.8 (5.35)	9.3 (4.22)	260.0 (79.25)		13.3 (6.03)	12.5 (5.67)	10.3 (4.67)		260.0 (79.25)			10.1 (4.58)	10.6 (4.81)	9.5 (4.31)	260.0 (79.25)
270.0 (82.30)			13.0 (5.90)	10.6 (4.81)	8.0 (3.63)	270.0 (82.30)		12.9 (5.85)	11.2 (5.08)	9.0 (4.08)		270.0 (82.30)			9.9 (4.49)	10.4 (4.72)	8.2 (3.72)	270.0 (82.30)
280.0 (85.34)			11.9 (5.40)	9.4 (4.26)	6.9 (3.13)	280.0 (85.34)		12.1 (5.49)	10.0 (4.54)	7.8 (3.54)		280.0 (85.34)				10.2 (4.63)	6.9 (3.13)	280.0 (85.34)
290.0 (88.39)			10.9 (4.94)	8.4 (3.81)	5.9 (2.68)	290.0 (88.39)		10.9 (4.94)	8.9 (4.04)	6.7 (3.04)		290.0 (88.39)				9.7 (4.40)	5.7 (2.59)	290.0 (88.39)
300.0 (91.44)				7.4 (3.36)	4.8 (2.18)	300.0 (91.44)			7.8 (3.54)	5.6 (2.54)		300.0 (91.44)				8.5 (3.86)	4.6 (2.09)	300.0 (91.44)
310.0 (94.49)				6.5 (2.95)	3.6 (1.63)	310.0 (94.49)			6.8 (3.08)	4.4 (2.00)		310.0 (94.49)					3.6 (1.63)	310.0 (94.49)
320.0 (97.54)				5.7 (2.59)	2.6 (1.18)	320.0 (97.54)			5.9 (2.68)	3.2 (1.45)		320.0 (97.54)						320.0 (97.54)

This material is supplied for reference use only. Operator must refer to in- cab Crane Rating Manual and Operator's Manual to determine allowable crane lifting capacities and assembly and operating procedures.

This Page Intentionally Blank

This Page Intentionally Blank

Link-Belt Cranes Lexington, Kentucky www.linkbelt.com

®Link-Belt is a registered trademark. Copyright 2022. We are constantly improving our products and therefore reserve the right to change designs and specifications.