

Technical Data

Specifications & Capacities

175 | AT

Telescopic Boom All Terrain Crane
175 US ton
150 metric ton



CAUTION: This material is supplied for reference use only. Operator must refer to in-cab Crane Rating Manual and Operator's Manual to determine allowable crane lifting capacities and assembly and operating procedures.

Table Of Contents

Boom, Attachments, and Upper Structure	1
Boom	1
Boom Wear Pads	1
Boom Head	1
Boom Elevation	1
Auxiliary Lifting Sheave – Optional	1
Hook Blocks and Balls – Optional	1
Fly – Optional	1
Fly Extensions – Optional	1
Upper Operator’s Cab and Controls	2
Swing	3
Central Lubrication System	3
Electrical	3
Hydraulic System	3
Pump Drive	3
Load Hoist System	4
Load Hoist Performance	4
Main (Front) and Optional Auxiliary (Rear) Winches	4
Counterweight	4
Carrier	6
General	6
Outriggers	6
Steering and Axles	6
Suspension	6
Ground Control Outrigger/Suspension Controls	6
Tires and Wheels	7
Brakes	7
Central Lubrication System	7
Electrical	7
Transmission	7
Fuel Tank	7
Engine	7
Hydraulic System	7
Pump Drive	7
Carrier Speeds and Gradeability	8
Lower Cab and Controls	9
Additional Equipment	10
Transport Scenarios – Axle Loads	11
Transport Scenarios – 3–Axle Boom Dolly	12
≤ 23,000 Per Axle Scenario:	12
≤ 20,000 Per Axle Scenario:	12
General Dimensions	13
Counterweights	14
Working Range Diagram – Main Boom	16
Working Range Diagram – Main Boom + Fly	17
Boom Extend Modes	18

Main Boom Lift Capacity Charts – Optional	19
90,000 lb Counterweight - Fully Extended Outriggers - 360° Rotation	19
81,200 lb Counterweight - Fully Extended Outriggers - 360° Rotation	20
Main Boom Lift Capacity Charts – Standard	21
37,200 lb Counterweight - Fully Extended Outriggers - 360° Rotation	21
28,400 lb Counterweight - Fully Extended Outriggers - 360° Rotation	22
19,600 lb Counterweight - Fully Extended Outriggers - 360° Rotation	23
15,200 lb Counterweight - Fully Extended Outriggers - 360° Rotation	24
10,800 lb Counterweight - Fully Extended Outriggers - 360° Rotation	25
6,400 lb Counterweight - Fully Extended Outriggers - 360° Rotation	26
0/2,000 lb Counterweight - Fully Extended Outriggers - 360° Rotation	27
Manual & Hydraulic Offset Fly Attachment Lift Capacity Charts – Optional	28
90,000 lb Counterweight - Fully Extended Outriggers - 360° Rotation	28
Main Boom + 10 ft Offset Fly (Manual Offsets 0°, 15°, 30°, 45° & Hydraulic Offsets 0°-2°, 2.1°- 45°)	28
81,200 lb Counterweight - Fully Extended Outriggers - 360° Rotation	30
Main Boom + 10 ft Offset Fly (Manual Offsets 0°, 15°, 30°, 45° & Hydraulic Offsets 0°-2°, 2.1°- 45°)	30
Manual Offset Fly Attachment Lift Capacity Charts – Optional	32
90,000 lb Counterweight - Fully Extended Outriggers - 360° Rotation	32
197.2 ft Main Boom Length + 32.5 ft & 55 ft Manual Offset Fly	32
90,000 lb Counterweight - Fully Extended Outriggers - 360° Rotation	33
197.2 ft Main Boom Length + 73 ft, 91 ft, & 109 ft Manual Offset Fly	33
81,200 lb Counterweight - Fully Extended Outriggers - 360° Rotation	34
197.2 ft Main Boom Length + 32.5 ft & 55 ft Manual Offset Fly	34
81,200 lb Counterweight - Fully Extended Outriggers - 360° Rotation	35
197.2 ft Main Boom Length + 73 ft, 91 ft, & 109 ft Manual Offset Fly	35
Hydraulic Offset Fly Attachment Lift Capacity Charts – Optional	36
90,000 lb Counterweight - Fully Extended Outriggers - 360° Rotation	36
197.2 ft Main Boom Length + 32.5 ft & 55 ft Hydraulic Offset Fly	36
90,000 lb Counterweight - Fully Extended Outriggers - 360° Rotation	37
197.2 ft Main Boom Length + 73 ft, 91 ft, & 109 ft Hydraulic Offset Fly	37
81,200 lb Counterweight - Fully Extended Outriggers - 360° Rotation	38
197.2 ft Main Boom Length + 32.5 ft & 55 ft Hydraulic Offset Fly	38
81,200 lb Counterweight - Fully Extended Outriggers - 360° Rotation	39
197.2 ft Main Boom Length + 73 ft, 91 ft, & 109 ft Hydraulic Offset Fly	39
Main Boom Lift Capacity Charts – Metric 85% – Optional	40
41mt Counterweight - Fully Extended Outriggers - 360° Rotation	40
37mt Counterweight - Fully Extended Outriggers - 360° Rotation	41
17mt Counterweight - Fully Extended Outriggers - 360° Rotation	42
13mt Counterweight - Fully Extended Outriggers - 360° Rotation	43
9mt Counterweight - Fully Extended Outriggers - 360° Rotation	44
5mt Counterweight - Fully Extended Outriggers - 360° Rotation	45
3mt Counterweight - Fully Extended Outriggers - 360° Rotation	46
0/1mt Counterweight - Fully Extended Outriggers - 360° Rotation	47

Boom, Attachments, and Upper Structure

■ Boom

Design — Six section, formed construction of extra high tensile steel consisting of one base section and five telescoping sections. The two plate design of each section has multiple longitudinal bends for superior strength. Each telescoping section extends independently by means of one double – action, single stage hydraulic cylinder with integral holding valves.

Boom

- 42.7 – 197.3 ft (13 – 60.1m) six section boom
- Integral boom dolly connection
- Three pinned positions of 0%, 50%, and 100% on each boom section
- Mechanical boom angle indicator
- Wind speed indicator
- Seven boom extend modes (EM1 – EM7), controlled from the operator's cab, provide superior capacities by varying the extension of the telescoping sections:
 - EM1 extends to 197.3 ft (60.1m)
 - EM2 extends to 182.7 ft (55.7m)
 - EM3 extends to 165.9 ft (50.6m)
 - EM4 extends to 150.9 ft (46.0m)
 - EM5 extends to 136.3 ft (41.6m)
 - EM6 extends to 121.8 ft (37.1m)
 - EM7 extends to 106.7 ft (32.5m)
- Maximum tip height for each extend mode is:
 - EM1 is 207 ft (63.1m)
 - EM2 is 192.6 ft (58.7m)
 - EM3 is 176 ft (53.7m)
 - EM4 is 161.2 ft (49.1m)
 - EM5 is 146.8 ft (44.8m)
 - EM6 is 132.4 ft (40.4m)
 - EM7 is 117.6 ft (35.9m)

Boom Wear Pads

- Wear pads with Teflon inserts that self – lubricate the boom sections, inserts are universal for the boom.
- Bottom rear wear pads are universal for all boom sections.
- Bottom front wear pads are common for base, T1, and T2 boom sections.
- Bottom front wear pads are common for T3 and T4 boom sections.
- Top front wear pads are universal for all boom sections.
- Top rear wear pads are common for T2, T3, T4, and T5 boom sections.

Boom Head

- Six 16.5 in (41.9cm) root diameter nylon sheaves to handle up to 14 parts of line with auxiliary lifting sheave
- Easily removable hinged wire rope guards
- Rope dead end lugs on either side of the boom head
- Boom head is designed for quick–reeve of the hook block

Boom Elevation

- One hydraulic cylinder with integral holding valve
- Boom elevation: -2.1° to 81°

Auxiliary Lifting Sheave – Optional

- Single 16.5 in (41.9cm) root diameter nylon sheave
- Easily removable wire rope guards
- Does not affect erection of the fly or use of the main head sheaves
- Can be stored on right side of the boom without removal

Hook Blocks and Balls – Optional

- 27 ton (24.5t) 1 sheave quick–reeve hook block with safety latch
- 60 ton (54.4t) 3 sheave quick–reeve hook block with safety latch
- 88 ton (79.8t) 5 sheave quick–reeve hook block with safety latch
- 110 ton (99.8t) 6 sheave quick–reeve hook block with safety latch
- 176 ton (159.6t) 10 sheave quick–reeve twin hook block with safety latch
- 10 ton (9.07t) swivel hook ball with safety latch
- 8.5 ton (7.7t) swivel hook ball with safety latch

Fly – Optional

- 10-32.5-55 ft (3-9.9-16.8m) three piece bi-fold lattice fly, stowable, offsettable to 0° , 15° , 30° , and 45° . Maximum tip height is 261.9 ft (79.8m). Minimum of 10,800 lb (5mt) of counterweight required.
- 10-32.5-55 ft (3-9.9-16.8m) three piece bi-fold lattice fly, stowable hydraulically offsettable to 0° through 45° . Maximum tip height is 261.9 ft (79.8m). Minimum of 10,800 lb (5mt) of counterweight required.

Fly Extensions – Optional

- One 18 ft (5.5m) lattice extension to be mounted between the boom head and fly options. Maximum tip height of 279.6 ft (85.2m). Minimum of 37,200 lb (17mt) of counterweight required.
- Two 18 ft (5.5m) lattice extensions to be mounted between the boom head and fly options. Maximum tip height of 297.4 ft (90.6m). Minimum of 37,200 lb (17mt) of counterweight required.
- Three 18 ft (5.5m) lattice extensions to be mounted between the boom head and fly options. Maximum tip height of 315.1 ft (96.1m). Minimum of 37,200 lb (17mt) of counterweight required.

■ Upper Operator's Cab and Controls

Environmental Cab – Fully enclosed, one person cab of tubular and sheet steel structure with formed plastic interior panels.

Equipped with:

- Tinted and tempered glass windows
- Extra—large fixed front window with time delayed windshield wiper and washer
- Swing up roof window with windshield wiper and washer
- Sliding left side door with large fixed window
- Sliding right side window and pop—out rear window for ventilation
- Six way adjustable, cushioned seat with seat belt and storage compartment
- Diesel fired warm—water heater with ten air ducts for front windshield defroster and cab floor
- Air Conditioning – Integral with cab heating system utilizing the same ventilation outlets and automatic temperature control (ATC)
- Adjustable sun screen
- Dome lights with red nighttime reading LED's
- Cup holder
- Fire extinguisher
- Two position travel swing lock
- AM/FM Bluetooth radio

Armrest Controls – Two dual axis electronic joystick controllers or optional single axis electronic controllers for:

- Swing hoist
- Boom hoist
- Main (front) winch
- Auxiliary (rear) winch – optional
- Winch high/low speed switch(es)
- Warning horn button
- Swing park brake switch
- Engine throttle lock switch
- Engine set/resume switch
- Cab tilt
- Counterweight removal
- Hydraulic offset fly – optional

Foot Controls

- Boom telescope
- Swing brake
- Engine throttle

Upper Right Console – Controls and indicators for:

- | | |
|-------------------------------------|--------------------------------|
| • Engine ignition | • Radio |
| • Engine stop | • DRI on/off selection |
| • Function lockout | • HVAC controller |
| • Front windshield wiper and washer | • 360 swing lock – optional |
| • Cab lights and upper frame lights | • Boom floodlights |
| • Horn | • Rotating beacon/Strobe light |
| • Dome light with switch | • Top hatch wiper washer |
| • E—stop switch | • Winch(es) disable |
| | • Engine indicator gauge |

Rear Right Side Panel

- 12V accessory outlet (10amp)
- USB charge port

Camera Display – Located on the right A—post with an adjustable mount

- Displays right side of upper
- Displays main and auxiliary winches

Diagnostic Center – Located on the right rear wall behind the seat.

- Engine diagnostic
- RCL CANBUS diagnostic
- Boom CANBUS diagnostic
- Outrigger CANBUS diagnostic

Fuse & Relay Panel – Located on the left rear wall behind the seat.

Link-Belt Pulse 2.0 – The Link-Belt in-house designed, total crane operating system that utilizes a 10 in touch screen color display with integrated RCL and engine data, advanced diagnostics and systems monitoring, Wi-Fi capable for remote software updates, operator customizable, and a readout and operator interface for the following systems:

- **Rated capacity limiter** – LCD graphic audio – visual warning system integrated into the dash with anti – two block and function limiter. Operating data includes:
 - RCL controller USB diagnostic
 - Crane configuration
 - Boom length and angle
 - Boom head height
 - Allowed load and percent of allowed load
 - RCL light bar
 - Boom angle
 - Radius of load
 - Actual load
 - Wind speed
 - Highlighted unit of measurement on working screen
 - Telescope operation displayed in real time
 - Outrigger position sensing
 - Drum rotation direction indication
 - Third wrap indicator – optional
 - Diagnostics
 - Counterweight detection system
 - Operator settable alarms (include):
 - Maximum and minimum boom angles
 - Maximum tip height
 - Maximum boom length
 - Swing left/right positions
 - Operator defined area (imaginary plane)
- **Cab Instrumentation**

• Tachometer	• Swing park brake light
• Engine water temperature	• Engine speed
• Fuel level	• Engine oil pressure
• Hydraulic oil temperature	• Battery voltage
• Stop engine	• Fuel rate (gal/hr)
• Check engine	• Engine load
• Wait to start	• Engine Diagnostics
• Diesel exhaust fluid (DEF) level	
• Engine air filter high restriction light	
• Regeneration light	
• Regeneration inhibit switch	
• Regeneration initiate switch	
• High exhaust temperature light	
• Regeneration disabled light	
- **Telematics** – Cellular based data logging and monitoring system that provides:
 - Location and operational settings
 - Routine maintenance
 - Crane and engine monitoring
 - Diagnostic and fault codes

Internal RCL Light Bar – Visually informs the operator when crane is approaching maximum load capacity with a series of green, yellow, and red lights.

Integrated Third Wrap Function Kickout – Link-Belt Pulse 2.0 color display visually and audibly warns the operator when the wire rope is on the first/bottom layer and provides a function kickout when the wire rope is down to the last three wraps.

External RCL Light Bar – Optional – Visually informs the ground crew when crane is approaching maximum load capacity with a series of green, yellow, and red lights.

■ Swing

Motor/Planetary – Two bi-directional hydraulic swing motors mounted to planetary reduction units for 360° continuous smooth swing at 1.5 rpm.

Swing Park Brake – 360°, electric over hydraulic, (spring applied/hydraulic released) multi-disc brake mounted between the speed reducer and the motor. Operated by a switch in the operator's cab.

Swing Brake – 360°, foot operated, hydraulic.

Swing Lock – Two – position swing lock (boom over the front or rear) operated from the operator's cab.

360° Positive Swing Lock – Optional – Meets New York City requirement.

■ Central Lubrication System

Automated lubrication unit that injects grease into the turntable bearing, house lock (2–position). Activated by a timer on the ignition switch.

■ Electrical

Swing Alarm – Audio/Visual warning device signals when the upper is swinging.

Lights

- Two LED working lights on the front of the cab
- Work Lighting Package
 - Includes six (6) LED lights
 - Working light on top of the cab
 - Right side of superstructure facing forward
 - Left upper work platform
 - Left & right sides of superstructure facing down
- Two amber strobe beacons on top of the upper rear winches
- Boom floodlight – Dual
- Boom floodlight – High intensity wirelessly remote controlled

Power Panel – Sealed power panel containing:

- Fuses, circuit breakers, relays, diodes, resistors
- Control modules

■ Hydraulic System

Main Pumps

- One piston pump for boom hoist, telescope, and main and auxiliary winches
- One pump for swing gear
- One piston pump for counterweight removal, hydraulic fly option, cab tilt, and fly storage
- One gear pump for cab A/C

Hydraulic Reservoir – 161 gal (609L) capacity equipped with sight level gauge and magnetic drain plug.

Filtration

- One, 5 – micron filter inside hydraulic reservoir, accessible for easy replacement with an in-cab indicator light.
- One, 3 – micron filter for the pilot circuit located in the main valve area with an in-cab indicator light.

Load Holding Valves – Boom extend cylinder and boom hoist cylinder are equipped with load holding valves to provide load lowering and prevents accidental load drop when hydraulic power is suddenly reduced.

Hydraulic Oil Cooler – Mounted on left side. Removes heat from the hydraulic oil.

Boom Hoist Float Valves – For transporting the boom over the rear of the crane with a boom dolly. Allows hydraulic oil within the boom hoist cylinder to flow between piston side and case side.

Swing Brake Release Valve – For transporting the boom over the rear of the crane with a boom dolly. Holds the 360° swing park brake in the released position allowing free rotation of the upper structure.

■ Pump Drive

All pumps are mechanically driven by the diesel engine in the lower.

■ Load Hoist System

Load Hoist Performance

Main (Front) and Auxiliary (Rear) Winches — 3/4 in (19mm) Rope										
Layer	Maximum Line Pull		Normal Line Speed		High Line Speed		Layer		Total	
	lb	kN	ft/min	m/min	ft/min	m/min	ft	m	ft	m
1	23,622	105.1	169	51.5	271	82.6	144	43.9	144	43.9
2	21,606	96.1	184	56.1	296	90.2	157	47.9	300	91.4
3	19,908	88.6	200	61.0	321	97.8	170	51.8	471	143.6
4	18,457	82.1	216	65.8	347	105.8	184	56.1	654	199.3
5	17,203	76.5	232	70.7	372	113.4	197	60.0	852	259.7
6	16,109	71.7	247	75.3	397	121.0	210	64.0	1,062	323.7

Wire Rope Application		Diameter		Type	Maximum Permissible Load	
		in	mm		lb	kN
Main	Standard	3/4	19	37x7 rotation resistant — right regular lay (Type KC)	16,000	71.18
	Optional	3/4	19	34x7 rotation resistant — right regular lay (Type YB)	16,000	71.17
	Optional	3/4	19	35x7 rotation resistant — right regular lay (Type CC)	17,160	76.33
Auxiliary	Standard	3/4	19	37x7 rotation resistant — right regular lay (Type KC)	16,000	71.18
	Optional	3/4	19	34x7 rotation resistant — right regular lay (Type YB)	16,000	71.17
	Optional	3/4	19	35x7 rotation resistant — right regular lay (Type CC)	17,160	76.33

Main (Front) and Optional Auxiliary (Rear) Winches

- Axial piston, full and half displacement (2-speed) motors driven through planetary reduction unit for positive control under all load conditions
- Grooved lagging
- Power up/down mode of operation
- Hoist drum cable followers — optional
- Drum rotation indicators
- Drum diameter: 15 in (38.1cm)
- Rope diameter: 3/4 in (19mm)
- Rope length:
 - Main (Front) 900 ft (274.3m)
 - Auxiliary (Rear) 670 ft (204.2m) or 900 ft (274.3m) — optional
- Maximum rope storage: 1,062 ft (323.7m)
- Terminator style socket and wedge
- Last layer and third wrap function kick-out

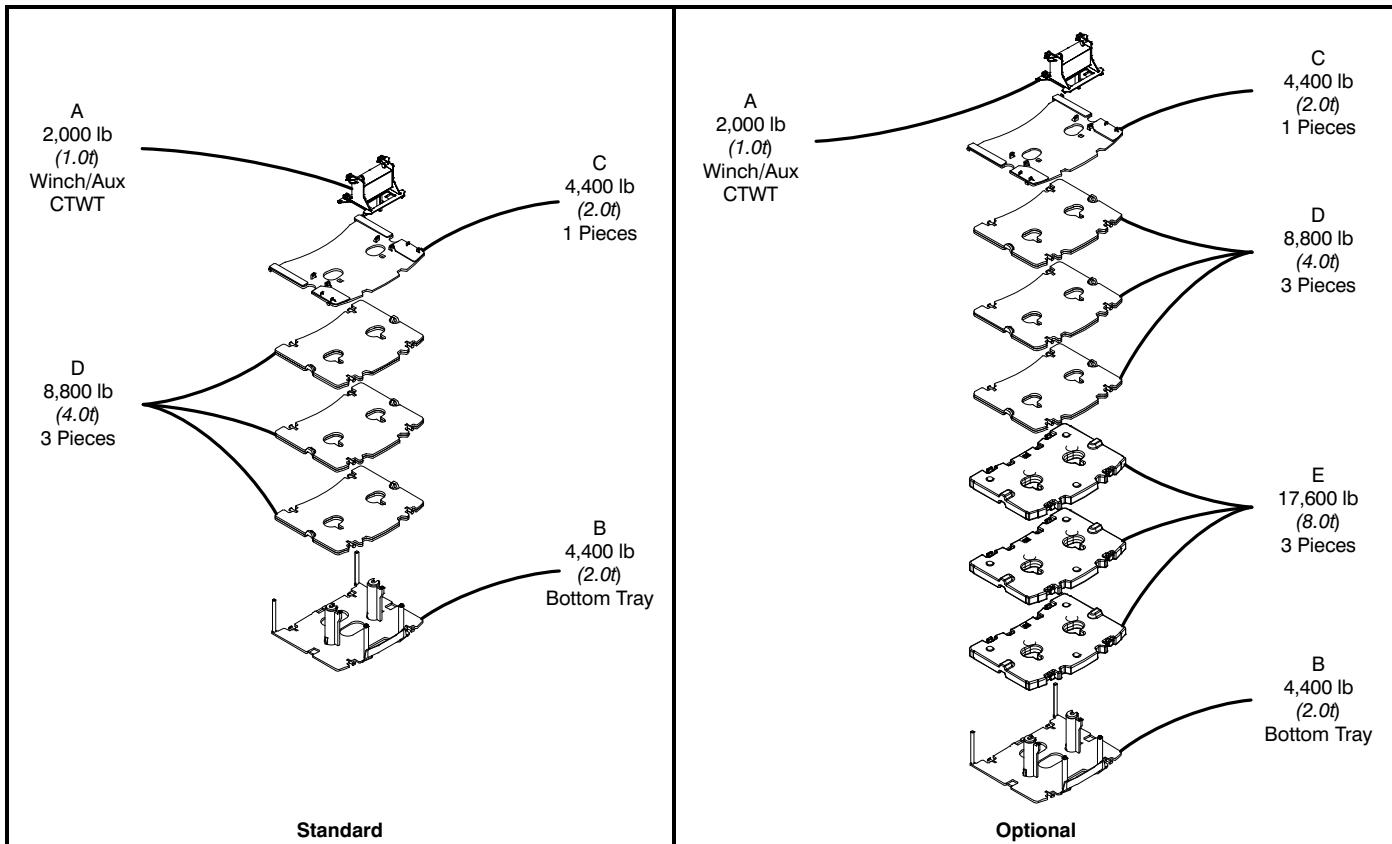
■ Counterweight

Standard — Total of 37,200 lbs (17.0t) of total counterweight consisting of auxiliary winch or 2,000 lb (1.0t) counterweight and four hydraulically removable counterweights. Assembled and disassembled by hydraulic cylinders controlled from the operator's cab with capacities for:

- 0 lb (0t) or 2,000 lb (1.0t) counterweight
- 6,400 lb (3.0t) counterweight
- 10,800 lb (5.0t) counterweight
- 15,200 lb (7.0t) counterweight
- 19,600 lb (9.0t) counterweight
- 24,000 lb (11.0t) counterweight
- 28,400 lb (13.0t) counterweight
- 32,800 lb (15.0t) counterweight
- 37,200 lb (17.0t) counterweight

Optional — 52,800 lb (24.0t) in addition to standard counterweight for a total of 90,000 lb (41.0t) counterweight for additional capacities for:

- 41,600 lb (19.0t) counterweight
- 46,000 lb (21.0t) counterweight
- 54,800 lb (25.0t) counterweight
- 63,600 lb (29.0t) counterweight
- 72,400 lb (33.0t) counterweight
- 81,200 lb (37.0t) counterweight
- 90,000 lb (41.0t) counterweight



Counterweight Packages			37,200 lb (17.0t) – Standard							90,000 lb (41.0t) – Optional		
			A 2,000 lb (1.0t)	B 4,400 lb (2.0t)	C 4,400 lb (2.0t)	D 8,800 lb (4.0t)	D 8,800 lb (4.0t)	D 8,800 lb (4.0t)	E* 17,600 lb (8.0t)	E 17,600 lb (8.0t)	E 17,600 lb (8.0t)	
Counterweight Usage Configurations	0/A	0/2,000 lb (0/1.0t)	X									
	A,B	6,400 lb (3.0t)	X	X								
	A,B,C	10,800 lb (5.0t)	X	X	X							
	A,B,D	15,200 lb (7.0t)	X	X		X						
	A,B,C,D	19,600 lb (9.0t)	X	X	X	X						
	A,B,E	24,000 lb (11.0t)	X	X				X				
	A,B,C,D,D	28,400 lb (13.0t)	X	X	X	X	X					
	A,B,D,E	32,800 lb (15.0t)	X	X		X		X				
	A,B,C,D,E	37,200 lb (17.0t)	X	X	X	X		X				
	A,B,E,E	41,600 lb (19.0t)	X	X				X	X			
	A,B,C,D,D,E	46,000 lb (21.0t)	X	X	X	X	X	X				
	A,B,C,D,E,E	54,800 lb (25.0t)	X	X	X	X		X	X			
	A,B,C,D,D,E, E	63,600 lb (29.0t)	X	X	X	X	X	X	X	X		
	A,B,C,D,E,E, E	72,400 lb (33.0t)	X	X	X	X		X	X	X	X	
	A,B,C,D,D,E, E,E	81,200 lb (37.0t)	X	X	X	X	X	X	X	X	X	X
A,B,C,D,D,D, E,E,E	90,000 lb (41.0t)	X	X	X	X	X	X	X	X	X	X	

* Counterweight E Can be used in place of two D weights.

Carrier

General

- 9.02 ft (2.75m) wide (445/95R25 tires)
- 28 ft 9 in (8.76m) wheel base (centerline of first axle to centerline of fifth axle)
- **Frame** – Box – type, torsion resistant, welded construction made of high tensile steel. Equipped with front and rear tie – down lugs and four carrier access ladders; two fixed, and two folding.

Outriggers

Boxes – Two double box, front and rear welded to the carrier frame

Beams and Jacks – Four dual stage beams hydraulically controlled from both sides of the crane or wireless rigging remote control. Jacks with integral check valves, hydraulically controlled from both sides of the crane or the wireless rigging remote control.

V-CALC – Variable confined area lifting capabilities that are incorporated into Pulse 2.0 display allowing multiple outrigger configurations of fully extended, intermediate, and fully retracted in 81 combinations, with live on screen working radii, utilizing 360° charts and swing arrest.

Pontoons

- **Main** – Four stow'n go, 22.25 in (56.52cm) square steel pontoons with a contact area of 385 in² (2 483.8cm²) can be stored for road travel under the outrigger boxes

Outrigger Work Station Floodlights – LED Flood lights are mounted at each outrigger beam.

Jack Reaction

- **Main** – 189,800 lb (844.3kN) force and 492 psi (3 392.2kPa) ground bearing pressure. Consult factory for base rating ground bearing pressure information.

Steering and Axles

- Full integral master gear/relay arm steering system provides hydraulic assisted steering with mechanical link between steering wheel and wheels.

On Highway (Primary) Steering Mode – Axles 3, 4, and 5 will automatically steer in combination with axles 1 and 2 based on travel speed:

On-Highway (Primary)			
Speed	Less than 18.6 mph (30km/h)	18.6-31 mph (30-50km/h)	Greater than 31 mph (50km/h)
Axle 1	Steered	Steered	Steered
Axle 2	Steered	Steered	Steered
Axle 3	Steered	Locked	Locked
Axle 4	Steered	Locked	Locked
Axle 5	Steered	Steered	Locked

Off Road (Auxiliary) Steering Modes – Four independent modes consisting of:

- **All Wheel:** Axles 1, 2, 3, 4, and 5
- **Diagonal (Crab):** Axles 1, 2, 3, 4, and 5
- **Independent Rear:** Axles 3, 4, and 5
- **Drive Away From Walls:** Temporary crab

The front, all wheel, and diagonal (crab) steering modes are controlled from the steering wheel and are selected by controls in the driver's cab. Switches in the driver's cab control the rear steering mode through the steering module display.

- **Emergency Steering** – A pump is flange-mounted to the transfer case and provides hydraulic pressure to the steering circuit as long as the crane is in motion
- **Drive** – 10 x 8 for on/off-highway travel
- **Axle 1** – Steered, driven
- **Axle 2** – Steered, driven
- **Axle 3** – Steered
- **Axle 4** – Steered, driven
- **Axle 5** – Steered, driven
- **Inter-Axle Differential Lock** – Traction aiding device that locks axles 1, 2, 4, and 5. Operated by a switch in the carrier cab.
- **Transverse (Cross-Axle) Differential Locks** – Traction aiding device that locks differentials within axles 1, 2, 4, and 5. Operated by a momentary switch in the carrier cab.

Suspension

Hydro – pneumatic, lockable with level adjustment and automatic ride height leveling. All axles have longitudinal and transverse trailing arms with leveling adjustment and lockable cylinders. The carrier can be raised, lowered, and tilted side to side by controls in the carrier cab that adjust the suspension cylinders to aid in machine setup.

- Cylinder stroke: –4.5 in (–11.43cm)/+3.5 in (8.89cm) at ride height

Ground Control Outrigger/Suspension Controls

Environmentally sealed and ergonomically positioned, control stations located on both sides of the carrier with controls for crane operations including:

- Start and stop carrier engine
- Throttle carrier engine up and down
- Raise suspension on outriggers
- Outrigger operation including:
 - Extends and retracts two beams together
 - Extends and retracts all main jacks together
 - Automatic leveling on outriggers
- Outrigger lighting
- Bubble level

■ Tires and Wheels

Standard – Ten (single) 525/80R25 tires on aluminum disc wheels

- Lug nut torque indicator
- Tire pressure and temperature monitoring

Optional – Ten (single) 445/95R25 tires on aluminum disc wheels

- Tire inflation kit – optional
- Spare tires and wheels – optional

■ Brakes

Service – Air anti-lock (ABS) braking system. Disc brakes on all wheel ends. Dual circuit compressed air system with air dryer.

Parking/Emergency – Spring loaded type, acting on 2nd, 3rd, 4th, and 5th axles automatically apply when air pressure drops below 40 psi (275kPa) in both circuits.

Intarder – Hydrodynamic driveline brake that is integral to the transmission. Activated by a switch in the carrier cab and controlled by paddle shifters on the steering wheel.

Traction Control – ABS activated traction control to limit wheel slip of axles 1, 2, 4, and 5.

■ Central Lubrication System

Automated lubrication unit that injects grease into the steering gear arms, steering knuckles, axle king pins, and suspension cylinders. Activated by a timer on the ignition switch.

■ Electrical

Battery – Four batteries provide 24 volt starting and operation, easily accessible battery disconnects, and battery jumping posts

Lights

- Front lighting includes two main daytime running/headlights, two high beam lights, two LED parking/directional indicators, and five LED cab marker lights
- Side lighting includes four parking/directional indicators per side
- LED rear lighting includes two parking/directional indicators, two parking/brake lights, two reverse lights, three marker lights, and a license plate light
- Other equipment includes hazard/warning system, cab LED light, instrument panel light, signal horn, and two outrigger LED lights on each side
- Two amber strobe beacon behind the cab

■ Transmission

Main Transmission – Automated – ZF TraXon (no clutch pedal) manual transmission with 12 forward gears and 2 reverse gears.

2-Speed Transfer Case – Air actuated manual transmission with high/low/neutral range.

■ Fuel Tank

- One 117 gal (442.9L) capacity aluminum fuel tank
- One 10 gal (37.8L) capacity diesel exhaust fluid (DEF) plastic tank

■ Engine

Specification	Cummins QSX 15
Emission Compliance Level:	Tier 4F / Stage V
Maximum Allowable Sulfur Content of Fuel (PPM):	15
Numbers of cylinders	6
Cycle	4
Bore and Stroke: inch (mm)	5.39 x 6.65 (136.9x169)
Piston Displacement: in ³ (cm ³)	912 (14 945)
Max. Brake Horsepower: hp (kW)	548 (409) @ 2,000 rpm 580 (432) @ 1,800 rpm
Peak Torque: ft lb (Nm)	1,950 (2 644) @ 1,400 rpm
Alternator: volts – amps	24 – 200
Crankcase Capacity: qt (L)	48 (45.4)
<ul style="list-style-type: none"> • Cruise control • Three stage engine compression brake • Thermostatically controlled, hydraulically driven radiator fan • 120 volt engine block heater • Ether injection system – optional • Emergency shut-off valve – optional • Spark arrestor – optional • Air shut-off valve – optional • Spark Arrestor – optional 	

■ Hydraulic System

Main Pumps

- Two section fixed displacement gear pump for 1st and 2nd axle steering circuits, suspension, outriggers, and 3rd and 4th axle steering circuits
- One fixed displacement gear pump for 5th axle steering circuit
- One variable displacement piston pump for cooling fan circuit

Hydraulic Reservoir – 43 gal (163L) capacity equipped with sight level gauge.

Filtration – One 5 micron filter inside hydraulic reservoir. Accessible for easy filter replacement.

■ Pump Drive

- Engine fan, outriggers, steering, and suspension pumps mounted to the engine
- Rear steering pump mounted to back of air compressor
- Ground driven pump mounted to back of transfer case

Carrier Speeds and Gradeability

ZF TraXon Transmission		Speed				Gradeability (@ peak torque Except Creep @ Idle)	
Gear	Ratio	High Range (0.75)		Low Range (3.12)		% Grade	
		mph	km/h	mph	km/h	Min.	Max.
12th	0.77	55.00	88.51	15.88	25.55	1.29	9.85
11th	1.00	50.98	82.04	12.26	19.73	2.25	12.99
10th	1.30	39.19	63.06	9.42	15.16	3.37	17.12
9th	1.68	30.28	48.73	7.28	11.71	4.72	22.37
8th	2.19	23.31	37.51	5.60	9.01	6.43	29.25
7th	2.83	18.01	28.98	4.33	6.97	8.59	38.06
6th	3.53	14.46	23.27	3.48	5.60	10.90	47.56
5th	4.57	11.17	17.97	2.68	4.31	14.33	61.76
4th	5.78	8.59	13.82	2.06	3.31	18.85	80.52
3rd	7.69	6.63	10.67	1.59	2.56	24.61	104.44
2nd	9.98	5.11	8.22	1.23	1.98	30.41	128.52
1st	12.92	3.94	6.34	0.95	1.53	30.32	128.12
Reverse (1)	12.03	4.24	6.82	1.02	1.64	30.35	128.26
Reverse (2)	9.29	5.49	8.83	1.32	2.12	29.89	126.37
1st @ 700 rpm	12.92	1.31	2.11	0.32	0.52		
Reverse (1) @ 700 rpm	12.03	1.41	2.27	0.34	0.55		
Reverse (2) @ 700 rpm	9.29	1.83	2.95	0.44	0.71		

Based on a gross vehicle weight of 135,000 lb (61 235kg) using 525/80R25 tires

■ Lower Cab and Controls

Environmental Cab – Fully enclosed, dual occupancy cab of aluminum constructed with acoustical insulation.

Equipped with:

- Tinted and tempered glass windows
- Power left and right door windows for ventilation
- Intermittent windshield wiper and washer
- Six way adjustable and air suspended heated and ventilated driver's seat with seat belt
- Passenger seat with integrated storage
- Two heated and electrically adjustable side view mirrors with passenger infrared camera
- Engine dependent warm–water heater with air ducts for chest/face, foot, and windshield defroster
- Adjustable sun visor
- LED dome lights
- Fire extinguisher

Air Conditioning – Integral with cab heating system utilizing the same ventilation outlets

- Automatic temperature control

Overhead Console – Located above the sun visor

- AM/FM Bluetooth radio
- Dome light switch
- 12V accessory power outlet

Camera Display – Integrated with right side LCD display

- Displays right side of machine
- Displays rear view
- Displays dolly rear view

Cab Instrumentation – Ergonomically positioned instrumentation for driving including:

- Digital speedometer with odometer, hour meter, trip meter, clock and outside temperature.
- Tachometer
- Fuel and diesel exhaust fluid (DEF) level with warning indicator

Indicator Lights

- Regeneration inhibit
- Check engine
- Stop engine
- Exhaust regeneration
- High exhaust temperature
- Engine air filter high restriction light
- Cruise
- Park brake
- Tire pressure warning
- ABS
- Trailer ABS
- Steer computer
- Steer pump
- Steer hydraulic oil level
- Intarder level
- Engine brake level
- Transaxle (cross–axle) differential lock
- Inter–axle differential lock
- Transfer case
- Travel mode
- Ride height
- Diesel Exhaust Fluid (DEF)
- Seat belt
- Traction control
- Hill hold start

Dash Mounted Controls For:

- Carrier lights
- Console dimmer switch
- Remote mirror control switches
- Mirror heating switch
- Cab heater/air conditioning switch
- Fresh/Recirculation air switch
- Park brake air valve
- Trailer brake air valve
- Carrier engine ignition switch

Dash Mounted Indicators For:

- Turn signal indication
- High beam headlights

Right Side LCD Display – Ergonomically positioned on the right of driver's dash panel, digital instrumentation and indicators for crane operations including:

- Transmission digital readout

Gauges

- Engine water temperature
- Engine oil pressure

Diagnostic Screens

- Engine
- After treatment
- Suspension/Outriggers
- Intarder
- Tire Pressure Monitoring Screen (TPMS)

Right Side Console – Controls and indicators for:

- Transmission gear shifting
- Steering electronic control panel
- Auxiliary transmission range selector switch
- Intarder on/off switch
- Diesel particulate filter switch
- Regeneration inhibit switch
- Fan override switch
- ABS Traction control switch
- Transaxle (cross–axle) differential lock switch with indicator light
- Inter–axle differential lock switch with indicator light
- Travel mode switch
- Front axles (axles 1 & 2) suspension height switch
- Rear axles (axles 3–5) suspension height switch
- Ride height switch
- Hill hold start switch

Steering Column/Wheel Controls For:

- Turn signal switch
- High beam switch
- Tilt/telescope adjustments
- Cruise Control
- Engine brake control
- Warning horn
- Hazard light switch
- Intarder brake control
- Intermittent windshield wiper and washer

Foot Controls For:

- Carrier service brakes
- Engine throttle

Carrier Fuse & Relay Center – Located inside cab passenger dash contains:

- Fuses and relays for carrier functions

Diagnostic Ports – Located under dash to left of steer column:

- OBD
- Transmission
- CANBUS

■ Additional Equipment

Standard:

- Aluminum full deck fenders
- Three storage box on rear carrier deck
- Air hose connection ports
- Clearance flags
- Front and rear anchor shackles
- Pneumatic and electrical quick disconnect connections mounted to the rear for trailer or boom dolly brakes and lights

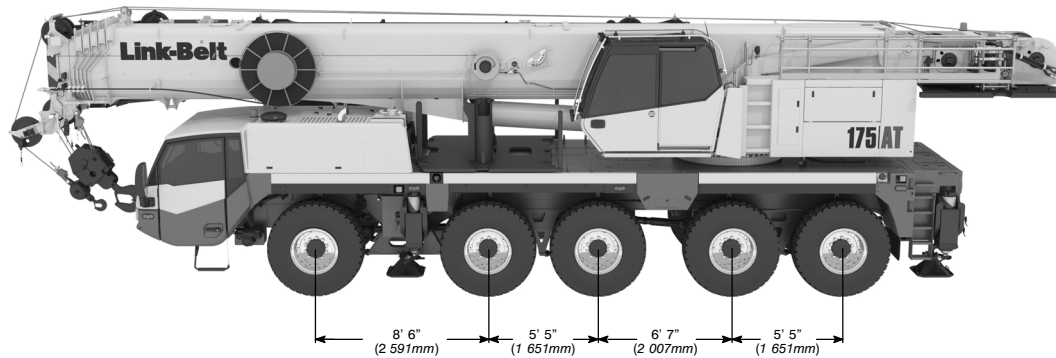
Optional:

- Rear mounted pintle hook

Transport Scenarios – Axle Loads

Machine Configuration:

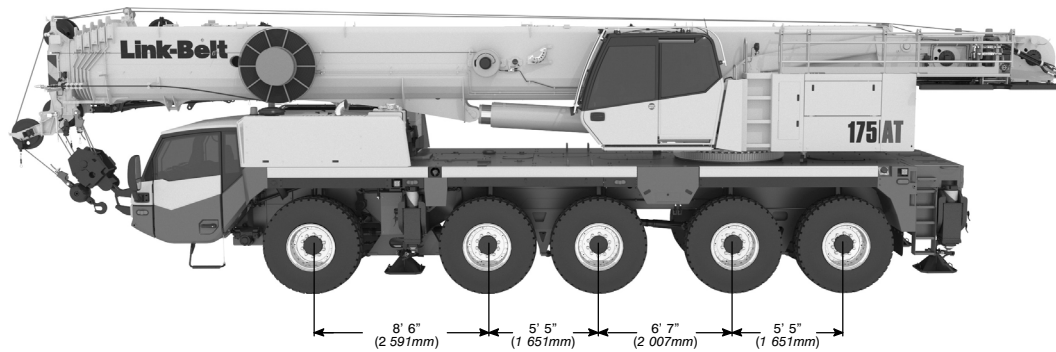
Base crane equipped with rear pintle hook, pneumatic and electrical connectors for trailer or boom dolly, hoist drum followers (main and auxiliary winch), 3-piece hydraulic offsettable bi-fold 55' (16.7m) lattice fly stowed, auxiliary winch with 670 ft (204.2m) KC wire rope, 27 ton (24.5mt) 1-sheave hook block at front bumper, 10 ton (9.1mt) hook ball at front bumper, full tank of fuel, and 250 lb driver in cab, 250 lb passenger, and storage boxes at maximum capacity (500 lb).



Axle 1	Axle 2	Axle 3	Axle 4	Axle 5
26,647 lbs	26,718 lbs	25,614 lbs	26,270 lbs	26,119 lbs
12.1mt	12.1mt	11.6mt	11.9mt	11.8mt

10,800 lbs
(5 mt)

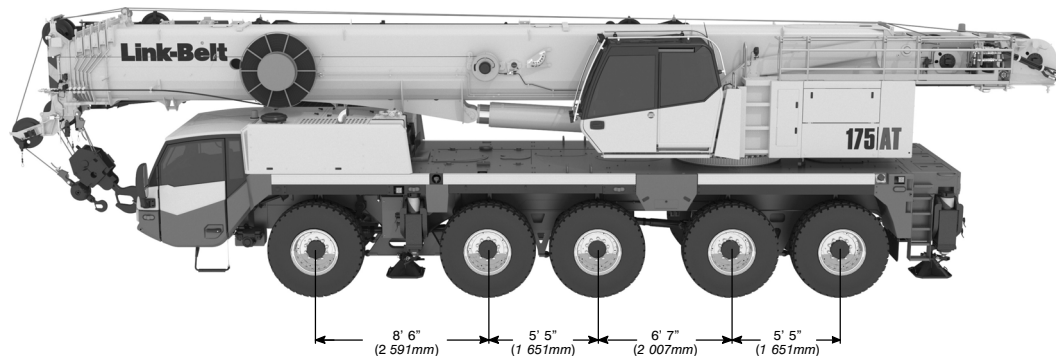
Upper	4,400 lbs	2.0mt
Deck	4,400 lbs	2.0mt
GWV	131,158 lbs	59 492kg



Axle 1	Axle 2	Axle 3	Axle 4	Axle 5
24,969 lbs	25,040 lbs	25,231 lbs	25,887 lbs	25,736 lbs
11.3mt	11.4mt	11.4mt	11.7mt	11.7mt

6,400 lbs
(3 mt)

Upper	4,400 lbs	2.0mt
Deck	0 lbs	0mt
GWV	126,863 lbs	57 544kg



Axle 1	Axle 2	Axle 3	Axle 4	Axle 5
26,864 lbs	26,935 lbs	22,479 lbs	23,135 lbs	22,984 lbs
12.2mt	12.2mt	10.2mt	10.5mt	10.4mt

2,000 lbs
(1 t)

Upper	0 lbs	0mt
Deck	0 lbs	0mt
GWV	122,397 lbs	55 518kg

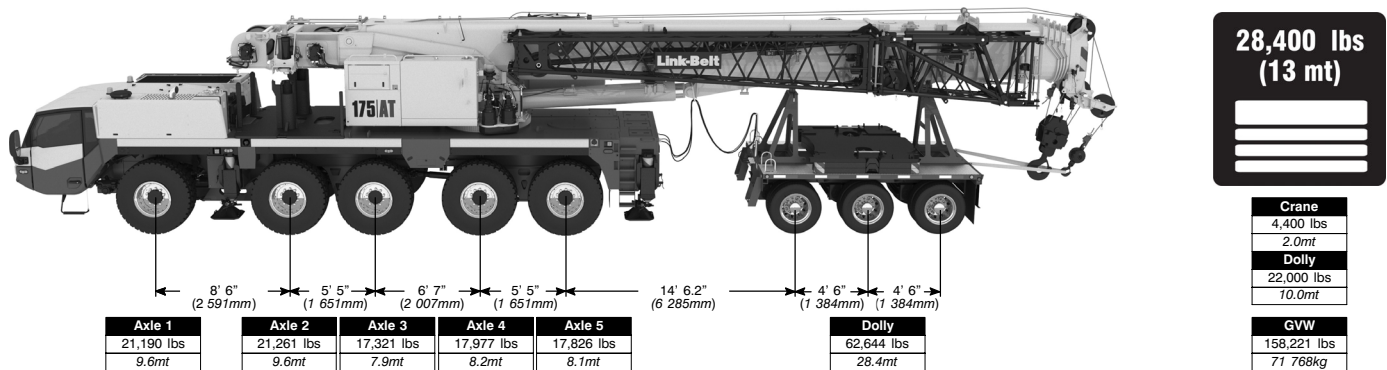
Axle Load Transfer Option Substitution (Boom Over the Front)		Axle 1	Axle 2	Axle 3	Axle 4	Axle 5
Remove 55' (16.8m) hyd. Offsettable, three-piece (bi-fold) lattice fly	lb mt	-2,737 -1.24	-2,737 -1.24	439 0.20	439 0.20	439 0.20
10 ft (3.0m) hyd. Offsettable lattice fly - stowed in place of three-piece 55' (16.8m) fly	lb mt	-698 -0.32	-698 -0.32	159 0.07	159 0.07	41 0.02
10 - 32.5 ft (3.0 - 9.9m) hyd offsettable, two -piece lattice fly - stowed in place of stowed three-piece 55' (16.8m) fly	lb mt	-261 -0.12	-261 -0.12	57 0.03	57 0.03	57 0.03
Remove auxiliary winch with 670 ft (204.2m) of wire rope and hoist drum follower	lb mt	1,441 0.65	1,441 0.65	-1,939 -0.88	-1,939 -0.88	-1,939 -0.88
60 Ust (54.4mt) 3-sheave hook block at front bumper {replaces 27 Ust (24.5mt) 1-sheave hook block}	lb mt	522 0.24	523 0.24	-164 -0.07	-164 -0.07	-164 -0.07
88 USt (79.8mt) 5-sheave hook block at front bumper {replaces 27 Ust (24.5mt) 1-sheave hook} block}	lb mt	1,060 0.48	1,060 0.48	-333 -0.15	-333 -0.15	-333 -0.15
Remove 12 USt (10.89mt) hook ball at front bumper	lb mt	-548 -0.25	-548 -0.25	172 0.08	172 0.08	172 0.08

Transport Scenarios – 3–Axle Boom Dolly

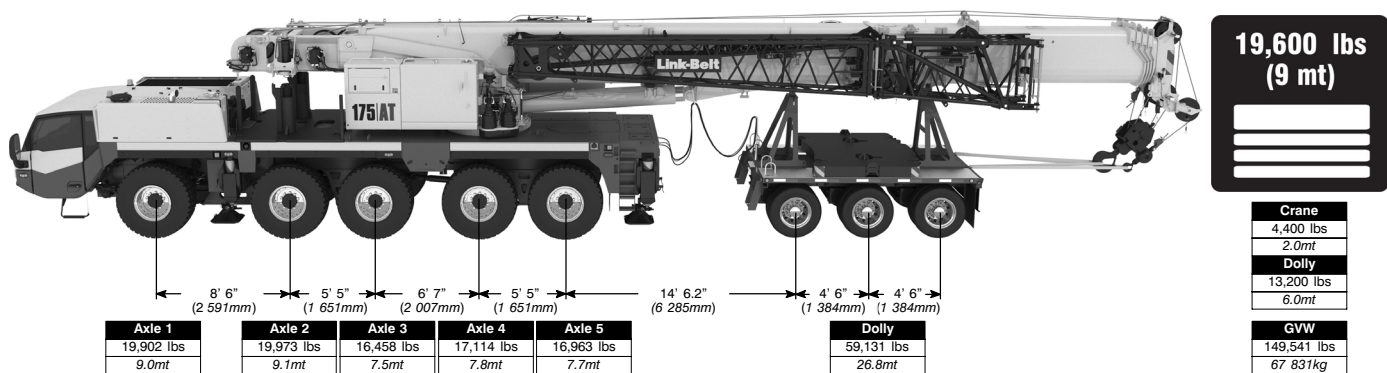
Machine Configuration:

Base crane equipped with rear pintle hook, pneumatic and electrical connectors for trailer or boom dolly, air ride lift system (rear axles), ether injection, hoist drum followers (main and auxiliary winch), 3–piece bi–fold 55' (16.7m) lattice fly stowed, auxiliary winch with 670 ft (204.2m) KC wire rope, 60 ton (54.4mt) 3–sheave hook block (4 cheek weights) at dolly, 12 ton (10.9mt) hook ball at dolly, full tank of fuel, 250 lb driver in cab, 250 lb passenger in cab, and storage boxes full. Boom Dolly: Nelson Manufacturing 3–axle close couple dolly with 4 ft 6 (1.37m) axle spacing, center lift axle. Weight: 9,000 lbs (4 082 kg)

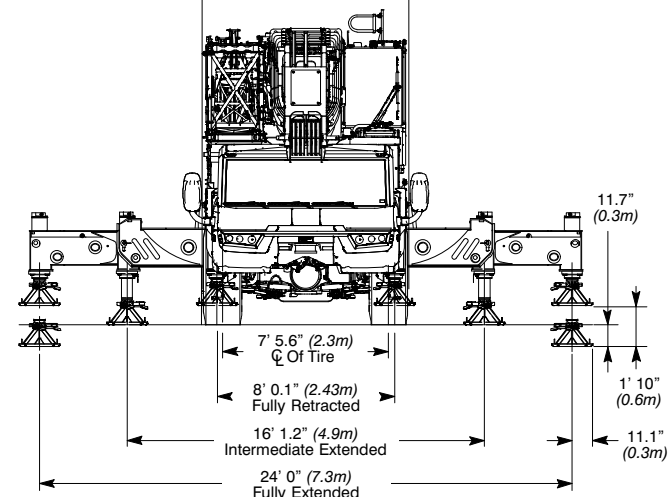
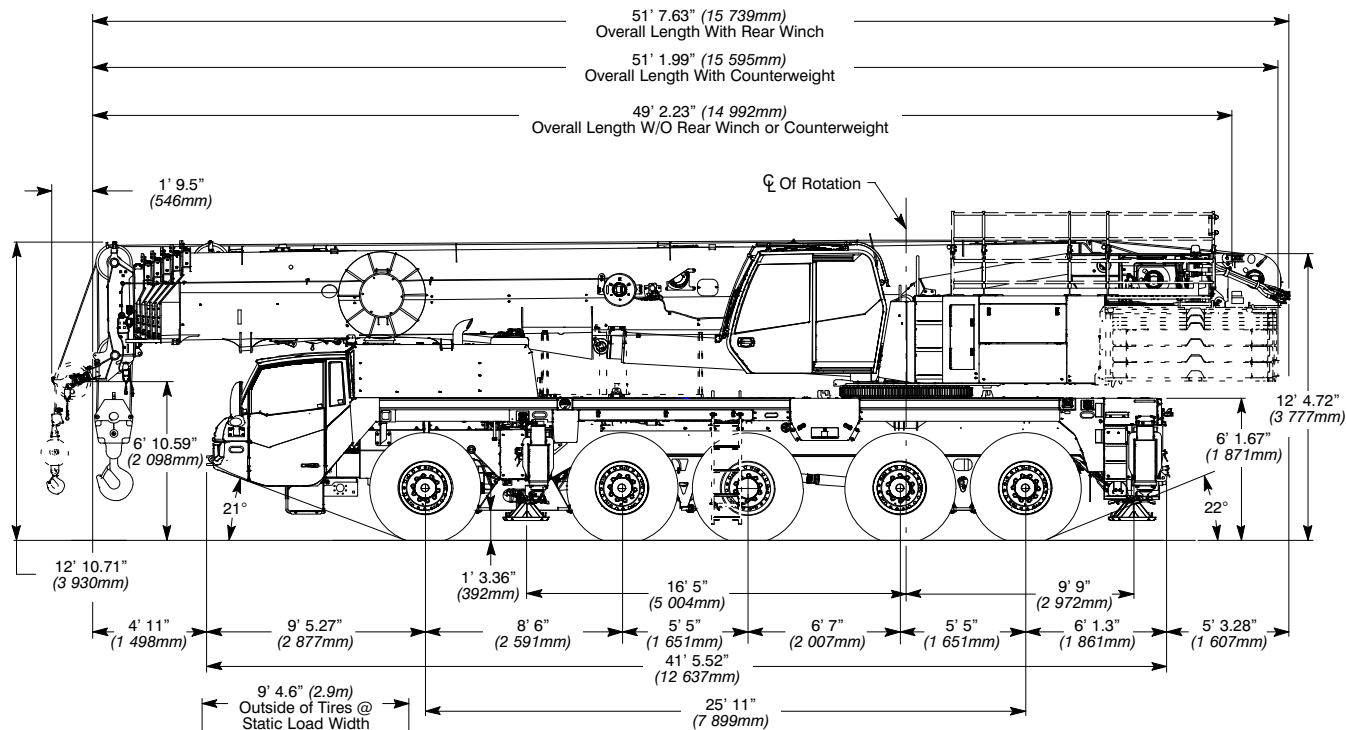
≤ 23,000 Per Axle Scenario:



≤ 20,000 Per Axle Scenario:

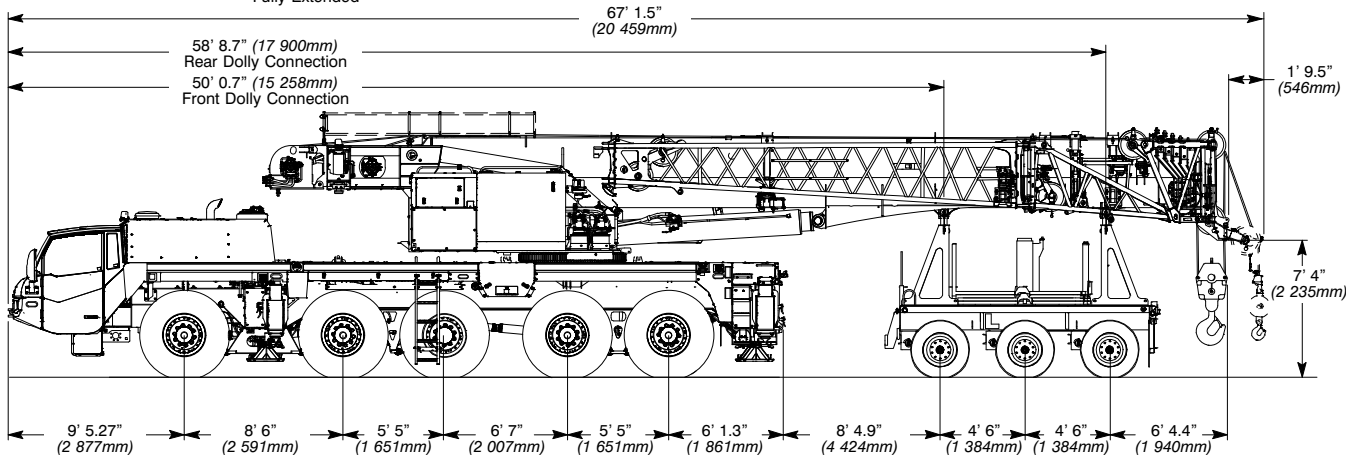


General Dimensions



Turning Radius	525/80R25	
	English	Metric
Wall to wall over carrier	37' 0"	11.3m
Wall to wall over boom	38' 5"	11.7m
Wall to wall over boom attachment	40' 4"	12.3m
Curb to curb	32' 10"	10.0m
Centerline of tire	31' 11"	9.7m

Tail Swing	English	Metric
	With auxiliary winch	16' 7"
Without auxiliary winch	14' 2"	4.3m
With Counterweight	16' 1"	5.0m

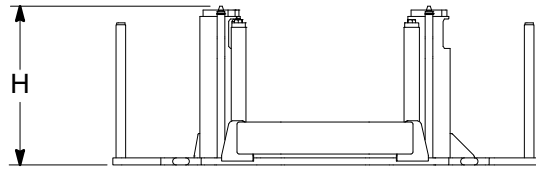
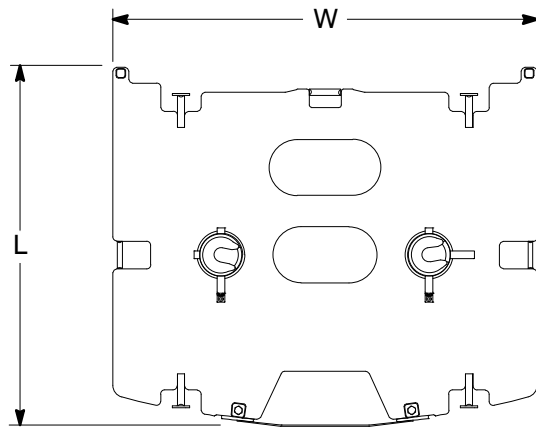


Not To Scale

Counterweights

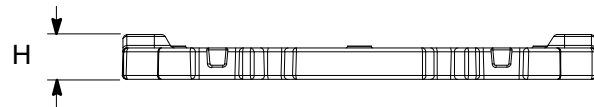
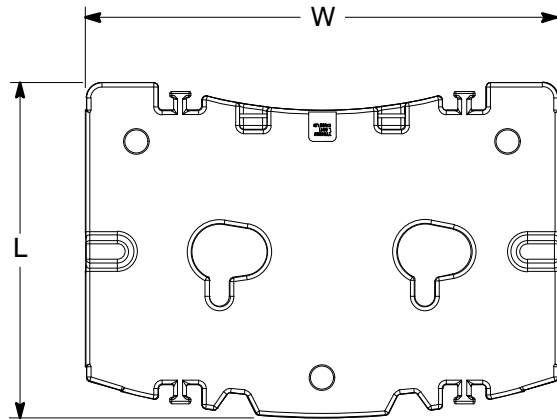
Counterweight Tray (B) ①

Length	89.6 in	(2 277mm)
Width	106.0 in	(2 692mm)
Height	39.6 in	(1 006mm)
Weight	4,400 lb	(2.0t)



Counterweight Cast (E) ③

Length	85.0 in	(2 158mm)
Width	120.0 in	(3 047mm)
Height	11.4 in	(289 mm)
Weight	17,600 lb	(7.9t)

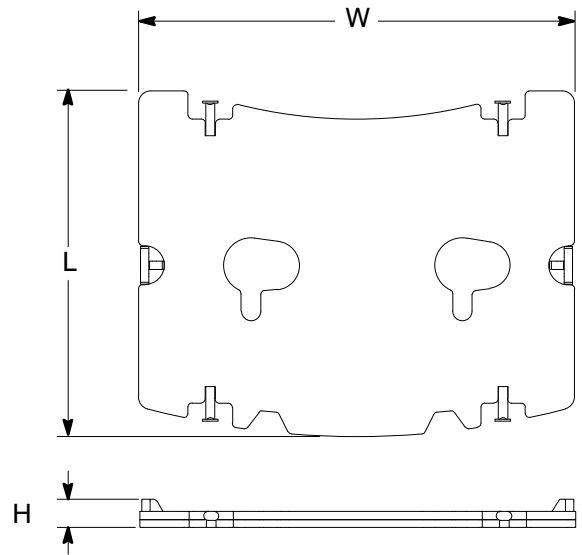


Number inside black circle “①” = # of components

* – Optional equipment

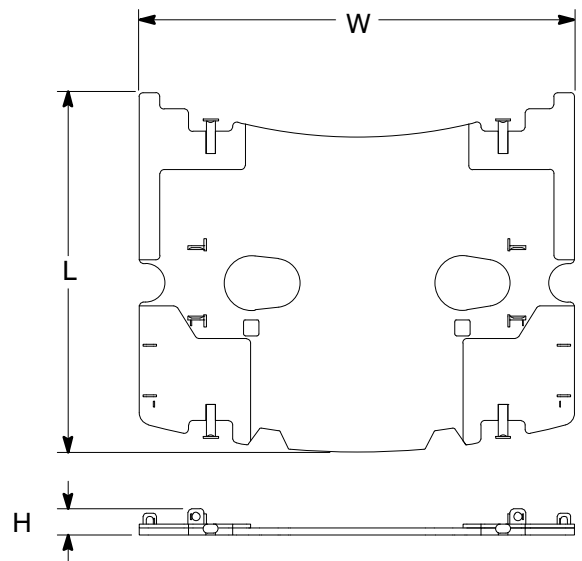
Counterweight (D) ③

Length	85.0 in	(2 159mm)
Width	107.25 in	(2 724mm)
Height	7.1 in	(179mm)
Weight	8,800 lb	(3.9t)



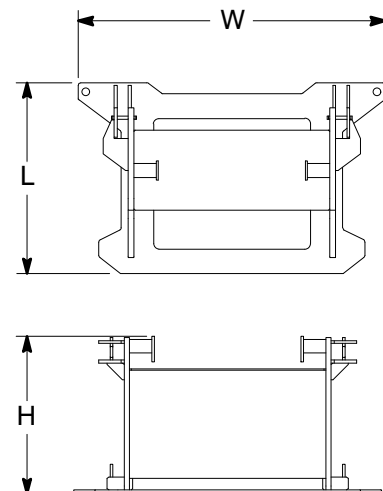
Top Counterweight (C) ①

Length	88.6 in	(2 250mm)
Width	107.25 in	(2 724mm)
Height	6.5 in	(165mm)
Weight	4,400 lb	(2.0t)



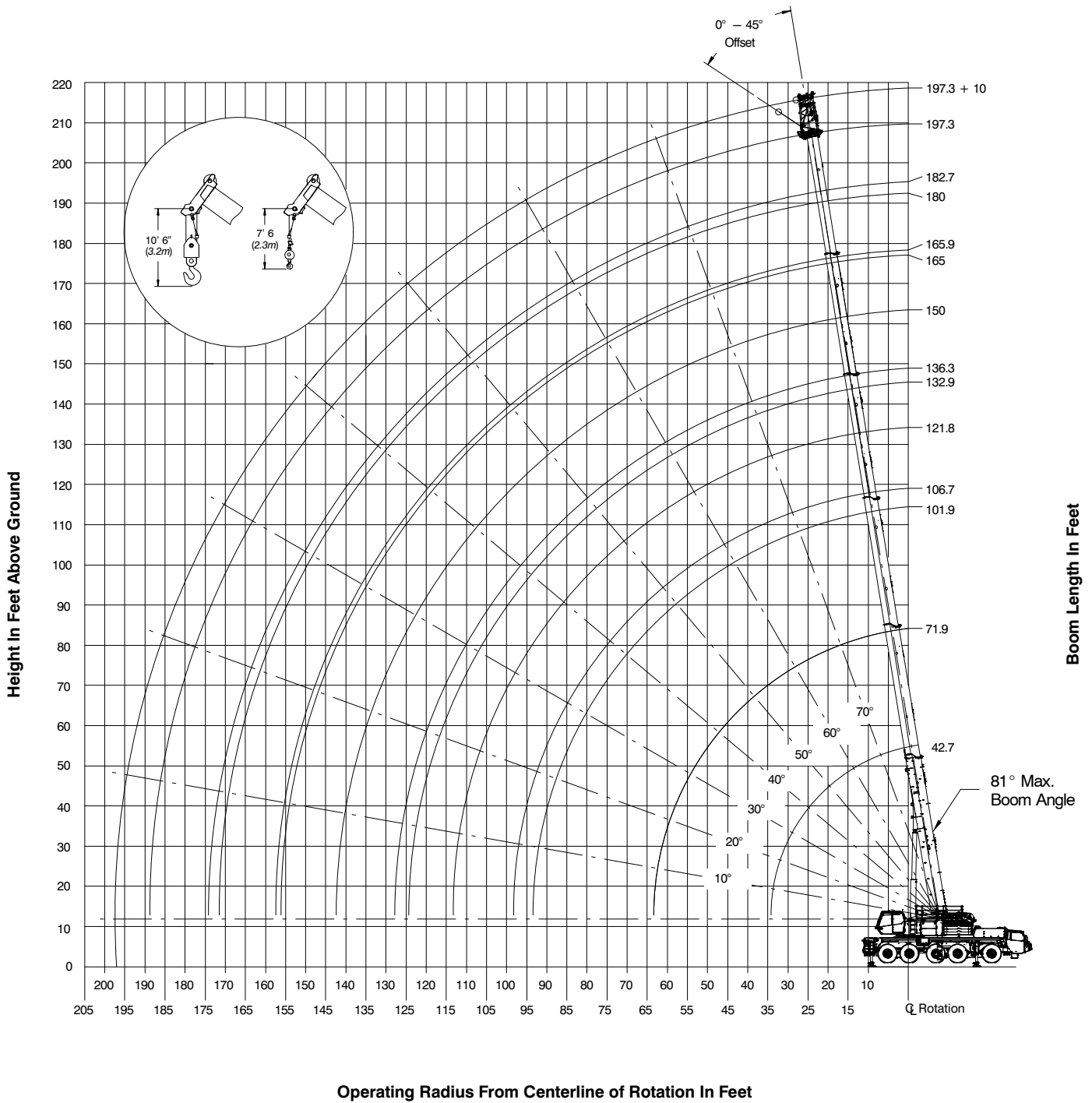
Auxiliary Counterweight (A) ①

Length	34.1 in	(867mm)
Width	54.9 in	(1 394mm)
Height	28.1 in	(714mm)
Weight	2,000 lb	(1.0t)

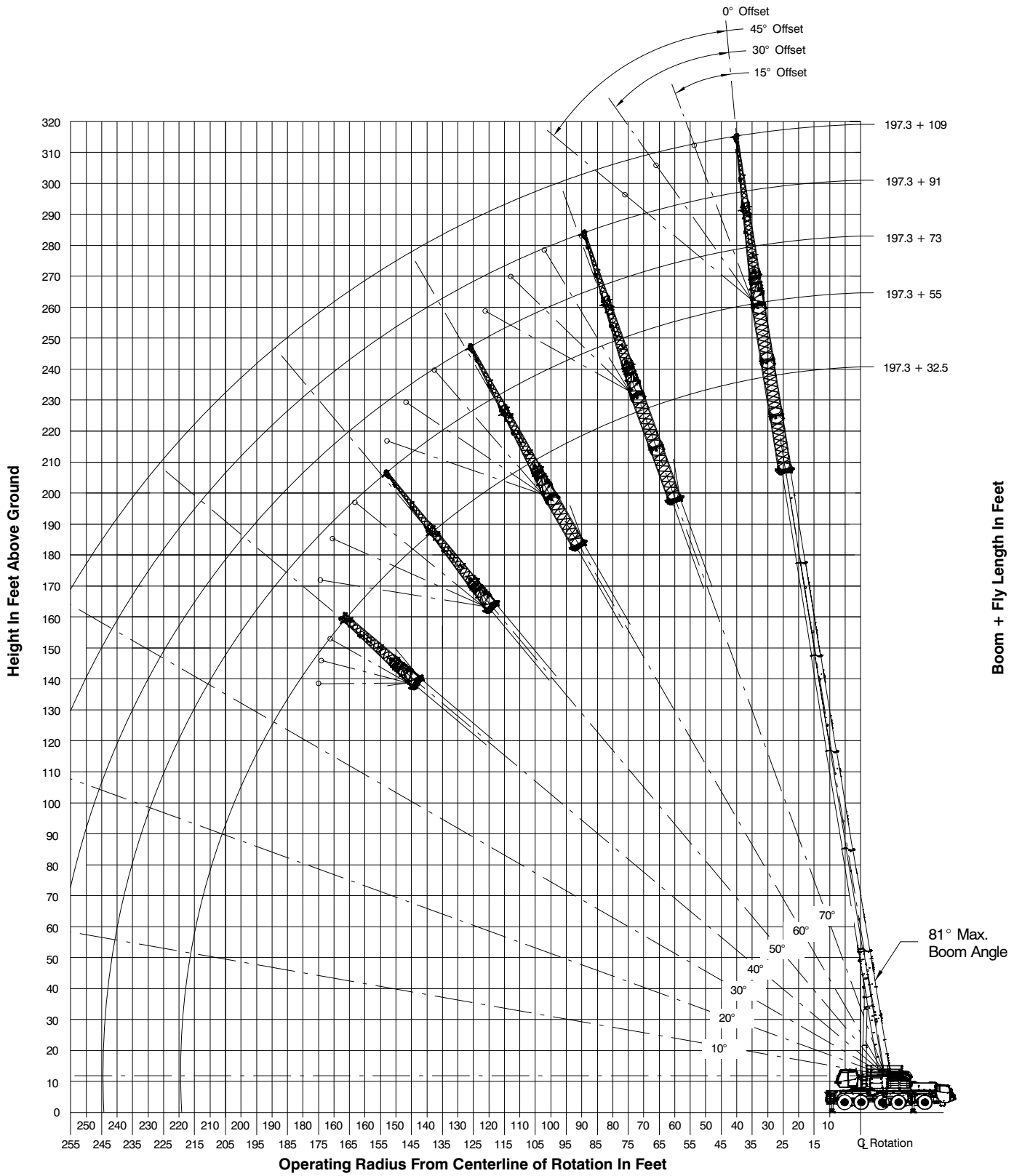


Number inside black circle “①” = # of components
 * – Optional equipment

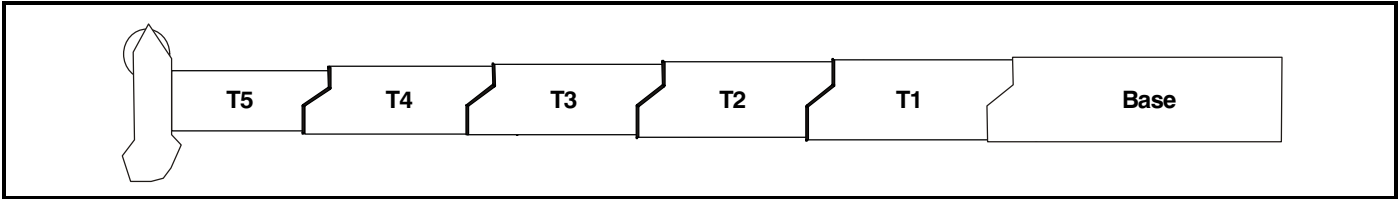
Working Range Diagram – Main Boom



Working Range Diagram – Main Boom + Fly



Boom Extend Modes



EM 1	Boom Length		Telescope Length				
	ft	m	T5	T4	T3	T2	T1
	42.7	13.03					
71.9	21.91	100%					
101.9	31.07	100%	100%				
132.8	40.49	100%	100%	100%			
164.6	50.18	100%	100%	100%	100%		
180.0	54.86	100%	100%	100%	100%	47%	
197.3	60.13	100%	100%	100%	100%	100%	

EM 2	Boom Length		Telescope Length				
	ft	m	T5	T4	T3	T2	T1
	42.7	13.03					
57.3	17.47	50%					
87.4	26.63	50%	100%				
118.3	36.05	50%	100%	100%			
150.1	45.74	50%	100%	100%	100%		
165.0	50.29	50%	100%	100%	100%	46%	
182.7	55.69	50%	100%	100%	100%	100%	

EM 3	Boom Length		Telescope Length				
	ft	m	T5	T4	T3	T2	T1
	42.7	13.03					
71.9	21.91	100%					
101.9	31.07	100%	100%	0%			
117.4	35.78	100%	100%	50%			
133.3	40.62	100%	100%	50%	50%		
150.0	45.27	100%	100%	50%	50%	51%	
165.9	50.57	100%	100%	50%	50%	100%	

EM 4	Boom Length		Telescope Length				
	ft	m	T5	T4	T3	T2	T1
	42.7	13.03					
71.9	21.91	100%					
86.9	26.49	100%	50%				
102.4	31.20	100%	50%	50%			
118.3	36.04	100%	50%	50%	50%		
135.0	41.15	100%	50%	50%	50%	51%	
150.9	45.99	100%	50%	50%	50%	100%	

EM 5	Boom Length		Telescope Length				
	ft	m	T5	T4	T3	T2	T1
	42.7	13.03					
57.3	17.47	50%					
72.3	22.05	50%	50%				
87.8	26.76	50%	50%	50%			
103.7	31.60	50%	50%	50%	50%		
120.0	36.58	50%	50%	50%	50%	50%	
136.3	41.55	50%	50%	50%	50%	100%	

EM 6	Boom Length		Telescope Length				
	ft	m	T5	T4	T3	T2	T1
	42.7	13.03					
57.8	17.61		50%				
73.2	22.32		50%	50%	0%		
89.1	27.16		50%	50%	50%		
105.0	32.00		50%	50%	50%	49%	
121.8	37.11		50%	50%	50%	100%	

EM 7	Boom Length		Telescope Length				
	ft	m	T5	T4	T3	T2	T1
	42.7	13.03					
58.2	17.74			50%			
74.1	22.58			50%	50%		
90.4	27.56			50%	50%	50%	
106.7	32.53			50%	50%	100%	

Main Boom Lift Capacity Charts – Optional

90,000 lb Counterweight - Fully Extended Outriggers - 360° Rotation (All Capacities Are Listed In Pounds)												
Radius (ft)	Boom Length (ft)											Radius (ft)
	42.7	57.3-58.2	71.8-74.0	86.9-90.4	101.9-106.7	117.3-121.7	132.8-136.3	149.6-150.9	164.6-166.3	180.9-182.7	197.2	
10	240,000	191,800	172,300									10
12	215,300	191,800	160,700	144,700								12
15	184,700	187,200	145,800	130,300	101,300							15
20	148,000	151,000	126,200	111,500	101,700	80,400						20
25	122,600	125,600	111,000	97,000	89,100	79,100	61,400					25
30	103,700	106,000	99,000	85,700	79,100	76,200	61,000	46,000	35,400			30
35		90,700	89,200	76,300	70,800	68,500	57,100	46,000	35,400	27,900		35
40		78,900	79,500	68,600	63,900	62,100	57,100	46,000	35,400	27,900	22,500	40
45		70,300	70,700	62,200	58,100	56,600	53,700	44,100	35,400	27,900	22,500	45
50			62,300	57,100	53,100	51,800	49,400	40,400	35,400	27,900	22,500	50
55			56,300	52,900	48,800	47,800	45,700	37,300	35,400	27,900	22,500	55
60			49,500	48,800	45,000	44,200	42,300	35,000	32,900	27,500	22,500	60
65			40,600	44,500	41,600	41,000	39,300	32,900	30,500	25,800	22,500	65
70				39,800	38,900	38,100	36,700	31,100	28,500	24,300	22,500	70
75				35,900	35,600	34,600	34,300	29,500	26,600	22,800	22,000	75
80				30,600	32,200	31,900	32,200	28,000	24,800	21,600	20,700	80
85					30,000	30,100	29,500	26,600	23,300	20,400	19,600	85
90					28,400	27,900	26,900	25,300	21,800	19,300	18,500	90
95					24,500	25,700	24,600	24,200	20,500	18,200	17,500	95
100						23,600	22,600	23,100	19,300	17,100	16,500	100
105						21,800	20,800	21,400	18,100	16,100	15,700	105
110						18,100	19,200	19,800	17,100	15,200	14,900	110
115							18,300	18,300	16,100	14,300	14,200	115
120							17,500	16,900	15,200	13,400	13,500	120
125							15,200	15,800	14,400	12,600	12,900	125
130								14,700	13,600	11,900	12,200	130
135								13,700	12,900	11,200	11,500	135
140								12,700	12,000	10,500	10,800	140
145									11,100	9,900	10,200	145
150									10,300	9,300	9,600	150
155									9,600	8,700	9,100	155
160										8,200	8,600	160
165										7,800	8,100	165
170										7,500	7,600	170
175											7,000	175
180											6,400	180
185											5,900	185

Note: Capacities depict multiple boom modes.

This information is not for crane operation. Operator must refer to the in-cab information for crane operation. Rated lifting capacities shown on fully extended outriggers do not exceed 85% of the tipping loads.

81,200 lb Counterweight - Fully Extended Outriggers - 360° Rotation
(All Capacities Are Listed In Pounds)

Radius (ft)	Boom Length (ft)											Radius (ft)
	42.7	57.3-58.2	71.8-74.0	86.9-90.4	101.9-106.7	117.3-121.7	132.8-136.3	149.6-150.9	164.6-166.3	180.9-182.7	197.2	
7	350,000*											7
10	240,000	191,800	172,300									10
12	213,300	191,800	160,700	144,700								12
15	182,900	185,500	145,800	130,300	101,300							15
20	146,600	149,600	126,200	111,500	101,700	80,400						20
25	121,400	124,400	111,000	97,000	89,100	79,100	61,400					25
30	102,600	105,800	99,000	85,700	79,100	76,200	61,000	46,000	35,400			30
35		90,700	89,200	76,300	70,800	68,500	57,100	46,000	35,400	27,900		35
40		78,500	78,100	68,600	63,900	62,100	57,100	46,000	35,400	27,900	22,500	40
45		68,200	68,600	62,200	58,100	56,600	53,700	44,100	35,400	27,900	22,500	45
50			60,800	57,100	53,100	51,800	49,400	40,400	35,400	27,900	22,500	50
55			52,700	52,300	48,800	47,800	45,700	37,300	35,400	27,900	22,500	55
60			46,300	46,900	44,500	44,200	42,300	35,000	32,900	27,500	22,500	60
65			37,700	41,500	41,200	40,200	39,300	32,900	30,500	25,800	22,500	65
70				37,100	36,800	35,900	36,700	31,100	28,500	24,300	22,500	70
75				33,400	33,100	33,800	33,200	29,500	26,600	22,800	22,000	75
80				28,200	31,500	31,200	30,100	28,000	24,800	21,600	20,700	80
85					28,800	28,300	27,300	26,600	23,300	20,400	19,600	85
90					26,400	25,900	24,900	25,300	21,800	19,300	18,500	90
95					22,600	23,700	22,700	23,300	20,500	18,200	17,500	95
100						21,800	20,900	21,400	19,300	17,100	16,500	100
105						20,100	19,900	19,700	18,100	16,100	15,700	105
110						16,500	19,100	18,100	17,100	15,200	14,900	110
115							17,700	16,700	16,000	14,300	14,200	115
120							16,400	15,600	14,800	13,400	13,500	120
125							13,800	14,400	13,700	12,600	12,900	125
130								13,300	12,600	11,900	12,200	130
135								12,400	11,600	11,000	11,500	135
140								11,500	10,700	10,100	10,800	140
145									9,900	9,500	9,900	145
150									9,100	9,000	9,100	150
155									8,400	8,600	8,400	155
160										8,200	7,700	160
165										7,800	7,100	165
170										7,200	6,500	170
175											5,900	175
180											5,400	180
185											4,900	185

Note: Capacities depict multiple boom modes.

*Over the rear, only intermediate outriggers; additional equipment required.

This information is not for crane operation. Operator must refer to the in-cab information for crane operation. Rated lifting capacities shown on fully extended outriggers do not exceed 85% of the tipping loads.

Main Boom Lift Capacity Charts – Standard

37,200 lb Counterweight - Fully Extended Outriggers - 360° Rotation (All Capacities Are Listed In Pounds)												
Radius (ft)	Boom Length (ft)											Radius (ft)
	42.7	57.3-58.2	71.8-74.0	86.9-90.4	101.9-106.7	117.3-121.7	132.8-136.3	149.6-150.9	164.6-166.3	180.9-182.7	197.2	
10	223,100	191,800	172,300									10
12	203,500	191,800	160,700	144,700								12
15	174,300	177,100	145,800	130,300	101,300							15
20	139,400	142,600	126,200	111,500	101,700	80,400						20
25	108,800	112,900	111,000	97,000	89,100	79,100	61,400					25
30	83,200	89,700	89,900	85,700	79,100	76,200	61,000	46,000	35,400			30
35		69,200	71,500	71,900	68,000	68,500	57,100	46,000	35,400	27,900		35
40		55,400	57,800	58,200	57,600	56,300	57,100	46,000	35,400	27,900	22,500	40
45		45,400	47,800	48,300	48,500	49,000	47,600	44,100	35,400	27,900	22,500	45
50			40,800	40,500	42,000	41,300	39,900	39,800	35,400	27,900	22,500	50
55			34,600	35,900	35,900	35,300	34,700	34,500	33,600	27,900	22,500	55
60			29,800	31,100	31,300	30,600	31,200	30,000	29,000	27,500	22,500	60
65			21,700	27,100	27,300	27,500	27,300	26,100	25,200	24,300	22,500	65
70				23,800	24,700	24,700	24,000	22,900	22,000	21,900	21,900	70
75				21,100	21,900	21,900	21,400	20,200	19,300	20,000	19,200	75
80				15,500	19,500	19,600	19,600	17,900	17,700	17,700	16,900	80
85					17,500	17,500	17,600	15,900	16,600	15,800	15,200	85
90					15,800	15,800	15,800	14,400	15,000	14,200	13,500	90
95					12,000	14,300	14,300	12,800	13,500	12,700	12,000	95
100						12,900	12,900	11,500	12,100	11,400	10,600	100
105						11,700	11,700	10,200	10,900	10,200	9,400	105
110						7,400	10,600	9,100	9,800	9,100	8,400	110
115							9,600	8,100	8,800	8,100	7,400	115
120							8,700	7,200	7,900	7,200	6,500	120
125							5,800	6,400	7,100	6,400	5,700	125
130								5,700	6,400	5,600	5,000	130
135								5,000	5,700	5,000	4,300	135
140								4,400	5,000	4,300	3,700	140
145									4,400	3,700	3,100	145
150									3,900	3,200	2,500	150
155									3,400	2,700	2,000	155
160										2,200	1,600	160
165										1,800	1,100	165
170										1,400		170
175												175
180												180
185												185

Note: Capacities depict multiple boom modes.

This information is not for crane operation. Operator must refer to the in-cab information for crane operation. Rated lifting capacities shown on fully extended outriggers do not exceed 85% of the tipping loads.

28,400 lb Counterweight - Fully Extended Outriggers - 360° Rotation
(All Capacities Are Listed In Pounds)

Radius (ft)	Boom Length (ft)											Radius (ft)
	42.7	57.3-58.2	71.8-74.0	86.9-90.4	101.9-106.7	117.3-121.7	132.8-136.3	149.6-150.9	164.6-166.3	180.9-182.7	197.2	
10	223,100	191,800	172,300									10
12	201,500	191,800	160,700	144,700								12
15	172,600	175,400	145,800	130,300	101,300							15
20	135,200	139,000	126,200	111,500	101,700	80,400						20
25	103,200	107,700	107,000	97,000	89,100	79,100	61,400					25
30	75,100	81,600	83,900	81,400	79,100	76,200	61,000	46,000	35,400			30
35		62,700	65,000	65,400	64,700	63,300	57,100	46,000	35,400	27,900		35
40		49,600	52,100	52,400	52,500	53,300	51,800	46,000	35,400	27,900	22,500	40
45		40,000	43,300	43,600	44,400	43,700	42,300	42,400	35,400	27,900	22,500	45
50			36,000	37,300	37,300	36,600	37,100	35,800	34,800	27,900	22,500	50
55			30,500	31,700	31,800	31,600	31,600	30,500	29,600	27,900	22,500	55
60			26,100	27,300	28,100	28,100	27,400	26,200	25,300	25,100	22,500	60
65			18,300	23,700	24,600	24,500	24,400	22,700	21,800	22,500	21,700	65
70				20,700	21,600	21,600	21,500	19,800	20,300	19,600	18,800	70
75				18,200	19,000	19,100	19,000	17,300	18,000	17,200	16,400	75
80				12,800	16,900	16,900	16,900	15,400	15,900	15,300	14,500	80
85					15,100	15,200	15,200	13,600	14,300	13,500	12,700	85
90					13,500	13,500	13,600	12,000	12,700	11,900	11,200	90
95					9,800	12,100	12,200	10,700	11,300	10,500	9,800	95
100						10,800	10,900	9,400	10,100	9,300	8,600	100
105						9,700	9,800	8,300	9,000	8,200	7,500	105
110						5,500	8,700	7,300	8,000	7,300	6,500	110
115							7,800	6,400	7,100	6,400	5,600	115
120							7,000	5,600	6,300	5,600	4,900	120
125							4,200	4,800	5,500	4,800	4,100	125
130								4,200	4,800	4,100	3,500	130
135								3,500	4,200	3,500	2,800	135
140								3,000	3,600	2,900	2,300	140
145									3,100	2,400	1,700	145
150									2,600	1,900	1,200	150
155									2,200	1,400		155
160												160
165												165
170												170
175												175
180												180
185												185

Note: Capacities depict multiple boom modes.

This information is not for crane operation. Operator must refer to the in-cab information for crane operation. Rated lifting capacities shown on fully extended outriggers do not exceed 85% of the tipping loads.

19,600 lb Counterweight - Fully Extended Outriggers - 360° Rotation (All Capacities Are Listed In Pounds)												
Radius (ft)	Boom Length (ft)											Radius (ft)
	42.7	57.3-58.2	71.8-74.0	86.9-90.4	101.9-106.7	117.3-121.7	132.8-136.3	149.6-150.9	164.6-166.3	180.9-182.7	197.2	
10	223,100	191,800	172,300									10
12	199,600	191,800	160,700	144,700								12
15	170,800	173,700	145,800	130,300	101,300							15
20	130,500	134,400	126,200	111,500	101,700	80,400						20
25	95,100	102,000	102,000	97,000	89,100	79,100	61,400					25
30	67,100	73,600	75,900	76,300	74,300	74,000	61,000	46,000	35,400			30
35		55,700	58,000	58,500	57,800	59,400	57,100	46,000	35,400	27,900		35
40		43,200	46,600	47,600	47,600	47,000	45,500	44,300	35,400	27,900	22,500	40
45		34,500	37,800	39,000	39,000	38,200	38,800	37,500	35,400	27,900	22,500	45
50			31,300	32,500	33,200	33,100	32,400	31,200	30,300	27,900	22,500	50
55			26,300	27,600	28,300	28,200	28,200	26,300	25,400	26,100	22,500	55
60			22,300	23,600	24,400	24,300	24,200	22,400	23,200	22,300	21,400	60
65			14,900	20,300	21,200	21,100	21,000	19,300	20,000	19,100	18,300	65
70				17,600	18,400	18,500	18,400	16,700	17,300	16,500	15,700	70
75				15,400	16,200	16,200	16,100	14,600	15,300	14,500	13,700	75
80				10,100	14,300	14,400	14,400	12,800	13,400	12,600	11,900	80
85					12,600	12,700	12,700	11,100	11,800	11,000	10,300	85
90					11,200	11,200	11,300	9,700	10,400	9,600	8,900	90
95					7,600	9,900	10,000	8,500	9,100	8,400	7,600	95
100						8,800	8,800	7,400	8,000	7,300	6,500	100
105							7,800	7,800	6,400	7,100	6,300	105
110							3,700	6,900	5,500	6,200	5,400	110
115								6,100	4,600	5,300	4,600	115
120								5,400	3,900	4,600	3,900	120
125								2,600	3,200	3,900	3,200	125
130									2,600	3,300	2,600	130
135									2,100	2,700	2,000	135
140									1,600	2,200	1,500	140
145										1,700		145
150										1,300		150
155												155
160												160
165												165
170												170
175												175
180												180
185												185

Note: Capacities depict multiple boom modes.

This information is not for crane operation. Operator must refer to the in-cab information for crane operation. Rated lifting capacities shown on fully extended outriggers do not exceed 85% of the tipping loads.

15,200 lb Counterweight - Fully Extended Outriggers - 360° Rotation
(All Capacities Are Listed In Pounds)

Radius (ft)	Boom Length (ft)											Radius (ft)
	42.7	57.3-58.2	71.8-74.0	86.9-90.4	101.9-106.7	117.3-121.7	132.8-136.3	149.6-150.9	164.6-166.3	180.9-182.7	197.2	
10	222,800	191,800	172,300									10
12	198,500	191,800	160,700	144,700								12
15	169,900	172,900	145,800	130,300	101,300							15
20	127,300	131,900	126,200	111,500	101,700	80,400						20
25	89,500	96,400	97,700	92,400	89,100	79,100	61,400					25
30	62,600	69,400	71,700	72,100	71,400	69,800	61,000	46,000	35,400			30
35		51,600	55,000	54,400	56,200	55,300	53,700	46,000	35,400	27,900		35
40		39,900	43,300	44,400	44,400	43,600	43,400	42,400	35,400	27,900	22,500	40
45		31,700	35,000	36,100	36,400	36,700	36,000	34,600	33,600	27,900	22,500	45
50			28,900	30,100	30,900	30,800	30,400	28,800	27,800	26,800	22,500	50
55			24,100	25,400	26,200	26,100	26,000	24,200	24,900	24,000	22,500	55
60			20,400	21,600	22,400	22,300	22,300	20,500	21,200	20,300	19,500	60
65			13,100	18,500	19,400	19,300	19,200	17,500	18,200	17,300	16,500	65
70				16,000	16,800	16,800	16,800	15,200	15,700	15,100	14,300	70
75				13,900	14,800	14,800	14,800	13,200	13,800	13,000	12,200	75
80				8,800	12,900	13,000	13,000	11,400	12,100	11,200	10,500	80
85					11,300	11,400	11,500	9,900	10,500	9,700	9,000	85
90					10,000	10,000	10,100	8,500	9,200	8,400	7,700	90
95					6,500	8,800	8,800	7,400	8,000	7,200	6,500	95
100						7,700	7,800	6,300	7,000	6,200	5,500	100
105						6,800	6,800	5,400	6,100	5,300	4,600	105
110						2,700	6,000	4,500	5,200	4,500	3,700	110
115							5,200	3,700	4,400	3,700	3,000	115
120							4,500	3,000	3,700	3,000	2,300	120
125							1,800	2,400	3,100	2,400	1,700	125
130								1,800	2,500	1,800		130
135								1,300	2,000	1,300		135
140									1,500			140

Note: Capacities depict multiple boom modes.

This information is not for crane operation. Operator must refer to the in-cab information for crane operation. Rated lifting capacities shown on fully extended outriggers do not exceed 85% of the tipping loads.

10,800 lb Counterweight - Fully Extended Outriggers - 360° Rotation (All Capacities Are Listed In Pounds)														
Radius (ft)	Boom Length (ft)											Radius (ft)		
	42.7	57.3-58.2	71.8-74.0	86.9-90.4	101.9-106.7	117.3-121.7	132.8-136.3	149.6-150.9	164.6-166.3	180.9-182.7	197.2			
10	221,800	191,800	172,300									10		
12	197,600	191,800	160,700	144,700								12		
15	169,100	172,000	145,800	130,300	101,300							15		
20	123,900	128,500	126,200	111,500	101,700	80,400						20		
25	84,300	91,300	93,700	91,000	89,100	79,100	61,400					25		
30	57,700	64,800	67,300	67,700	66,900	66,100	61,000	46,000	35,400			30		
35		47,900	51,200	52,100	52,400	51,500	49,900	46,000	35,400	27,900		35		
40		36,800	40,200	41,300	41,300	40,500	41,200	39,700	35,400	27,900	22,500	40		
45		29,100	32,400	33,500	34,200	34,100	33,400	32,000	31,200	27,900	22,500	45		
50			26,600	27,900	28,600	28,500	28,400	26,500	27,300	26,300	22,500	50		
55			22,100	23,400	24,100	24,000	24,000	22,100	22,900	21,900	21,100	55		
60			18,600	19,800	20,600	20,500	20,500	18,700	19,400	18,500	17,600	60		
65			11,500	16,900	17,700	17,700	17,600	15,900	16,600	15,700	15,100	65		
70				14,600	15,400	15,500	15,400	13,700	14,400	13,600	12,800	70		
75				12,500	13,400	13,500	13,400	11,800	12,500	11,600	10,900	75		
80				7,500	11,600	11,700	11,700	10,100	10,800	10,000	9,200	80		
85					10,100	10,200	10,300	8,700	9,300	8,500	7,800	85		
90					8,800	8,900	9,000	7,400	8,100	7,300	6,500	90		
95					5,400	7,800	7,800	6,300	7,000	6,200	5,400	95		
100						6,700	6,800	5,300	6,000	5,200	4,500	100		
105							5,800	5,900	4,400	5,100	4,300	3,600	105	
110							1,900	5,100	3,600	4,300	3,600	2,800	110	
115								4,300	2,900	3,600	2,900	2,100	115	
120									3,700	2,200	2,900	2,200	1,500	120
125										1,600	2,300	1,600		125
130											1,800			130
135											1,300			135
140														140
145														145
150														150
155														155
160														160
165														165
170														170
175														175
180														180
185														185

Note: Capacities depict multiple boom modes.

This information is not for crane operation. Operator must refer to the in-cab information for crane operation. Rated lifting capacities shown on fully extended outriggers do not exceed 85% of the tipping loads.

6,400 lb Counterweight - Fully Extended Outriggers - 360° Rotation (All Capacities Are Listed In Pounds)											
Radius (ft)	Boom Length (ft)										Radius (ft)
	42.7	57.3-58.2	71.8-74.0	86.9-90.4	101.9-106.7	117.3-121.7	132.8-136.3	149.6-150.9	164.6-166.3	180.9-182.7	
10	220,700	191,800	172,300								10
12	196,500	191,800	160,700	144,700							12
15	168,100	171,200	145,800	130,300	101,300						15
20	120,200	124,800	123,900	111,500	101,700	80,400					20
25	78,800	85,700	88,100	88,600	83,800	79,100	61,400				25
30	52,500	59,700	62,300	62,600	62,600	63,500	58,800	46,000	35,400		30
35		43,900	47,200	48,300	48,300	47,500	47,100	44,800	35,400	26,600	35
40		33,500	36,800	38,000	38,700	38,600	37,800	36,400	35,300	26,600	40
45		26,200	29,600	30,800	31,500	31,400	31,300	29,400	29,700	26,600	45
50			24,100	25,400	26,100	26,000	25,900	24,000	24,800	23,800	50
55			19,900	21,200	22,000	21,900	21,800	20,000	20,700	19,800	55
60			16,600	17,900	18,700	18,600	18,500	16,700	17,400	16,500	60
65			9,700	15,200	16,000	15,900	15,800	14,300	15,000	14,100	65
70				13,000	13,800	13,800	13,800	12,100	12,800	12,000	70
75				11,100	11,900	12,000	11,900	10,300	11,000	10,100	75
80				6,100	10,300	10,300	10,400	8,700	9,400	8,600	80
85					8,900	8,900	9,000	7,400	8,100	7,300	85
90					7,600	7,700	7,800	6,200	6,900	6,100	90
95					4,300	6,600	6,700	5,200	5,800	5,100	95
100						5,700	5,700	4,300	4,900	4,200	100
105						4,800	4,900	3,400	4,100	3,300	105
110							4,100	2,700	3,400	2,600	110
115							3,400	2,000	2,700	2,000	115
120							2,800	1,400	2,000	1,300	120
125									1,500		125
130											130
135											135
140											140
145											145
150											150
155											155
160											160
165											165
170											170
175											175
180											180
185											185

Note: Capacities depict multiple boom modes.

This information is not for crane operation. Operator must refer to the in-cab information for crane operation. Rated lifting capacities shown on fully extended outriggers do not exceed 85% of the tipping loads.

0/2,000 lb Counterweight - Fully Extended Outriggers - 360° Rotation (All Capacities Are Listed In Pounds)											
Radius (ft)	Boom Length (ft)										Radius (ft)
	42.7	57.3-58.2	71.8-74.0	86.9-90.4	101.9-106.7	117.3-121.7	132.8-136.3	149.6-150.9	164.6-166.3	180.9-182.7	
10	219,500	191,800	172,300								10
12	195,500	191,800	160,700	144,700							12
15	163,200	167,000	145,800	130,300	101,300						15
20	113,700	119,300	120,100	111,500	101,700	80,400					20
25	69,100	76,800	79,600	80,100	79,200	77,300	61,400				25
30	44,800	52,000	55,500	56,900	56,900	55,900	54,100	46,000	35,400		30
35		37,800	41,100	42,400	43,200	43,100	42,200	40,700	35,400	26,600	35
40		28,500	31,900	33,000	33,700	33,600	33,500	31,500	30,500	26,600	40
45		22,000	25,400	26,500	27,300	27,200	27,100	25,100	25,900	24,900	45
50			20,400	21,700	22,400	22,300	22,300	20,400	21,100	20,200	50
55			16,700	18,000	18,700	18,600	18,500	16,700	17,500	16,500	55
60			13,700	15,000	15,800	15,800	15,700	14,000	14,700	13,900	60
65			7,100	12,600	13,500	13,400	13,400	11,600	12,400	11,500	65
70				10,600	11,400	11,400	11,400	9,700	10,400	9,600	70
75				8,900	9,700	9,800	9,700	8,100	8,800	7,900	75
80				4,100	8,200	8,300	8,300	6,700	7,400	6,500	80
85					7,000	7,000	7,100	5,500	6,100	5,300	85
90					5,900	5,900	6,000	4,400	5,100	4,300	90
95					2,600	5,000	5,000	3,500	4,200	3,400	95
100						4,100	4,100	2,700	3,300	2,600	100
105						3,300	3,400	1,900	2,600	1,800	105
110							2,700		1,900		110
115							2,100		1,300		115
120							1,500				120
125											125
130											130
135											135
140											140
145											145
150											150
155											155
160											160
165											165
170											170
175											175
180											180
185											185

Note: Capacities depict multiple boom modes.

This information is not for crane operation. Operator must refer to the in-cab information for crane operation. Rated lifting capacities shown on fully extended outriggers do not exceed 85% of the tipping loads.

Manual & Hydraulic Offset Fly Attachment Lift Capacity Charts – Optional

90,000 lb Counterweight - Fully Extended Outriggers - 360° Rotation
 (All Capacities Are Listed In Pounds)

Main Boom + 10 ft Offset Fly (Manual Offsets 0°, 15°, 30°, 45° & Hydraulic Offsets 0°-2°, 2.1°-45°)

Radius (ft)	Boom Length (ft)												Radius (ft)
	42.7		57.3-58.2		71.8-74.0		86.9-90.4		101.9-106.7		117.3-121.7		
	0°-2°	2.1°-45°	0°-2°	2.1°-45°	0°-2°	2.1°-45°	0°-2°	2.1°-45°	0°-2°	2.1°-45°	0°-2°	2.1°-45°	
10	75,000	59,100	75,000	60,000	75,000	60,200							10
12	75,000	57,900	75,000	59,400	75,000	60,000							12
15	75,000	56,300	75,000	58,000	75,000	59,000	75,000	59,500					15
20	75,000	54,000	75,000	56,000	75,000	57,200	75,000	57,900	75,000	58,100	67,500	57,600	20
25	75,000	51,700	75,000	54,200	75,000	55,700	75,000	56,600	75,000	56,900	67,500	56,600	25
30	68,700	50,300	75,000	52,400	75,000	54,200	75,000	55,400	75,000	55,800	63,700	55,700	30
35	63,500	49,800	74,000	51,000	75,000	52,700	74,800	54,000	69,400	54,600	63,700	54,500	35
40	60,000	49,800	69,000	50,000	75,000	51,400	67,100	52,700	62,400	53,300	60,400	53,100	40
45			64,900	49,600	68,500	50,400	60,600	51,600	56,800	52,200	55,100	52,200	45
50			61,500	49,600	61,300	49,700	55,300	50,700	51,800	51,300	50,300	50,300	50
55			55,200	49,600	55,400	49,400	50,500	50,000	47,400	47,400	46,200	46,200	55
60					48,700	48,700	45,900	45,800	43,800	43,800	42,800	42,800	60
65					44,000	43,200	42,600	42,000	40,500	40,500	39,600	39,600	65
70					40,000	40,000	39,400	38,600	36,800	36,800	36,800	36,800	70
75					33,300	24,300	36,000	36,000	34,200	33,700	34,000	34,000	75
80							32,700	32,700	31,900	31,700	30,800	30,800	80
85							29,800	29,800	29,100	29,100	28,200	27,900	85
90							25,600	25,600	26,600	26,600	26,600	26,400	90
95									24,400	24,400	25,200	25,000	95
100									22,600	22,400	23,200	23,200	100
105									19,800	19,800	21,400	21,400	105
110											19,800	19,800	110
115											18,400	18,400	115
120											15,200	15,200	120
125													125
130													130
135													135
140													140
145													145
150													150
155													155
160													160
165													165
170													170
175													175
180													180
185													185
190													190
195													195

Note: Capacities depict multiple boom modes.

This information is not for crane operation. Operator must refer to the in-cab information for crane operation. Rated lifting capacities shown on fully extended outriggers do not exceed 85% of the tipping loads.

90,000 lb Counterweight - Fully Extended Outriggers - 360° Rotation (All Capacities Are Listed In Pounds)											
Main Boom + 10 ft Offset Fly (Manual Offsets 0°, 15°, 30°, 45° & Hydraulic Offsets 0°-2°, 2.1°- 45°)											
Radius (ft)	Boom Length (ft)										Radius (ft)
	132.8-136.3		149.6-150.9		164.6-166.3		180.9-182.7		197.2		
	0°-2°	2.1°-45°	0°-2°	2.1°-45°	0°-2°	2.1°-45°	0°-2°	2.1°-45°	0°-2°	2.1°-45°	
10											10
12											12
15											15
20											20
25	50,800	50,800									25
30	50,800	50,800	38,500	38,500	29,400	29,400					30
35	50,800	50,800	38,500	38,500	29,400	29,400	24,200	24,200			35
40	48,200	48,100	38,500	38,500	29,400	29,400	24,200	24,200	19,600	19,600	40
45	46,700	45,400	38,500	38,500	29,400	29,400	24,200	24,200	19,600	19,600	45
50	46,700	42,800	38,500	38,500	29,400	29,400	24,200	24,200	19,600	19,600	50
55	44,200	40,400	35,800	35,800	29,400	29,400	24,200	24,200	19,600	19,600	55
60	40,800	38,200	33,000	33,000	29,400	29,400	24,200	24,200	19,600	19,600	60
65	37,900	36,300	30,600	30,400	29,300	29,300	24,200	23,700	19,600	19,600	65
70	35,200	34,500	28,800	28,400	27,200	27,200	22,600	22,200	19,600	19,600	70
75	32,900	32,900	27,200	26,400	25,300	25,300	21,200	20,800	19,600	19,600	75
80	30,700	30,700	25,700	24,800	23,600	23,600	19,900	19,600	19,100	18,900	80
85	28,800	28,800	24,300	23,500	22,000	22,000	18,700	18,400	18,000	17,800	85
90	26,200	26,200	23,000	22,300	20,500	20,500	17,600	17,400	16,900	16,700	90
95	24,000	24,000	21,900	21,300	19,200	19,200	16,600	16,400	15,900	15,800	95
100	22,000	22,000	20,800	20,300	18,000	18,000	15,600	15,500	15,000	15,000	100
105	20,200	20,200	19,800	19,400	16,900	16,900	14,700	14,600	14,200	14,100	105
110	18,600	18,600	18,900	18,500	15,800	15,800	13,900	13,800	13,400	13,400	110
115	17,200	17,200	17,500	17,500	15,000	15,000	13,100	13,100	12,700	12,700	115
120	15,900	15,900	16,200	16,200	14,100	14,100	12,300	12,300	12,000	12,000	120
125	14,800	14,800	15,200	15,200	13,200	13,200	11,500	11,500	11,400	11,400	125
130	14,100	14,100	14,100	14,100	12,500	12,500	10,700	10,700	10,800	10,800	130
135	12,700	12,700	13,000	13,000	11,700	11,700	10,000	10,000	10,200	10,200	135
140			12,100	12,100	11,000	11,000	9,400	9,400	9,600	9,600	140
145			11,200	11,200	10,400	10,400	8,700	8,700	9,000	9,000	145
150			10,500	10,500	9,600	9,600	8,200	8,200	8,400	8,400	150
155					8,900	8,900	7,600	7,600	7,900	7,900	155
160					8,200	8,200	7,100	7,100	7,400	7,400	160
165					7,600	7,600	6,600	6,600	6,900	6,900	165
170							6,100	6,100	6,400	6,400	170
175							5,600	5,600	5,900	5,900	175
180							5,300	5,300	5,500	5,500	180
185									5,100	5,100	185
190									4,600	4,600	190
195									4,200	4,200	195

Note: Capacities depict multiple boom modes.

This information is not for crane operation. Operator must refer to the in-cab information for crane operation. Rated lifting capacities shown on fully extended outriggers do not exceed 85% of the tipping loads.

**81,200 lb Counterweight - Fully Extended Outriggers - 360° Rotation
(All Capacities Are Listed In Pounds)**

Main Boom + 10 ft Offset Fly (Manual Offsets 0°, 15°, 30°, 45° & Hydraulic Offsets 0°-2°, 2.1°- 45°)

Radius (ft)	Boom Length (ft)												Radius (ft)
	42.7		57.3-58.2		71.8-74.0		86.9-90.4		101.9-106.7		117.3-121.7		
	0°-2°	2.1°-45°	0°-2°	2.1°-45°	0°-2°	2.1°-45°	0°-2°	2.1°-45°	0°-2°	2.1°-45°	0°-2°	2.1°-45°	
10	75,000	59,100	75,000	60,000	75,000	60,200							10
12	75,000	57,900	75,000	59,400	75,000	60,000							12
15	75,000	56,300	75,000	58,000	75,000	59,000	75,000	59,500					15
20	75,000	54,000	75,000	56,000	75,000	57,200	75,000	57,900	75,000	58,100	67,500	57,600	20
25	75,000	51,700	75,000	54,200	75,000	55,700	75,000	56,600	75,000	56,900	67,500	56,600	25
30	68,700	50,300	75,000	52,400	75,000	54,200	75,000	55,400	75,000	55,800	63,700	55,700	30
35	63,500	49,800	74,000	51,000	75,000	52,700	74,800	54,000	69,400	54,600	63,700	54,500	35
40	60,000	49,800	69,000	50,000	75,000	51,400	67,100	52,700	62,400	53,300	60,400	53,100	40
45			64,900	49,600	67,500	50,400	60,600	51,600	56,800	52,200	55,100	52,200	45
50			59,500	49,600	59,700	49,700	55,300	50,700	51,800	51,300	50,300	50,300	50
55			51,600	49,600	51,800	49,400	49,600	48,700	47,400	47,400	46,200	46,200	55
60					46,900	45,600	45,000	44,900	43,600	43,600	42,800	42,800	60
65					41,700	41,700	41,600	41,100	39,000	38,400	39,500	39,500	65
70					37,300	37,300	37,200	37,200	36,500	35,900	35,200	35,200	70
75					30,800	24,300	33,500	33,500	32,800	32,800	31,600	31,600	75
80							30,400	30,400	29,700	29,700	29,900	29,200	80
85							27,700	27,700	27,000	27,000	27,800	27,800	85
90							23,500	23,500	24,800	24,600	25,400	25,400	90
95									23,600	23,200	23,300	23,300	95
100									22,100	22,100	21,400	21,400	100
105									19,000	19,000	19,700	19,700	105
110											18,200	18,200	110
115											16,800	16,800	115
120											13,700	13,700	120
125													125
130													130
135													135
140													140
145													145
150													150
155													155
160													160
165													165
170													170
175													175
180													180
185													185
190													190
195													195

Note: Capacities depict multiple boom modes.

This information is not for crane operation. Operator must refer to the in-cab information for crane operation. Rated lifting capacities shown on fully extended outriggers do not exceed 85% of the tipping loads.

81,200 lb Counterweight - Fully Extended Outriggers - 360° Rotation (All Capacities Are Listed In Pounds)											
Main Boom + 10 ft Offset Fly (Manual Offsets 0°, 15°, 30°, 45° & Hydraulic Offsets 0°-2°, 2.1°- 45°)											
Radius (ft)	Boom Length (ft)										Radius (ft)
	132.8-136.3		149.6-150.9		164.6-166.3		180.9-182.7		197.2		
	0°-2°	2.1°-45°	0°-2°	2.1°-45°	0°-2°	2.1°-45°	0°-2°	2.1°-45°	0°-2°	2.1°-45°	
10											10
12											12
15											15
20											20
25	50,800	50,800									25
30	50,800	50,800	38,500	38,500	29,400	29,400					30
35	50,800	50,800	38,500	38,500	29,400	29,400	24,200	24,200			35
40	48,200	48,100	38,500	38,500	29,400	29,400	24,200	24,200	19,600	19,600	40
45	46,700	45,400	38,500	38,500	29,400	29,400	24,200	24,200	19,600	19,600	45
50	46,700	42,800	38,500	38,500	29,400	29,400	24,200	24,200	19,600	19,600	50
55	44,200	40,400	35,800	35,800	29,400	29,400	24,200	24,200	19,600	19,600	55
60	40,800	38,200	33,000	33,000	29,400	29,400	24,200	24,200	19,600	19,600	60
65	37,900	36,300	30,600	30,400	29,300	29,300	24,200	23,700	19,600	19,600	65
70	35,200	34,500	28,800	28,400	27,200	27,200	22,600	22,200	19,600	19,600	70
75	32,400	32,400	27,200	26,400	25,300	25,300	21,200	20,800	19,600	19,600	75
80	29,300	29,300	25,700	24,800	23,600	23,600	19,900	19,600	19,100	18,900	80
85	26,600	26,600	24,300	23,500	22,000	22,000	18,700	18,400	18,000	17,800	85
90	24,200	24,200	23,000	22,300	20,500	20,500	17,600	17,400	16,900	16,700	90
95	22,100	22,100	21,900	21,300	19,200	19,200	16,600	16,400	15,900	15,800	95
100	20,200	20,200	20,600	20,300	18,000	18,000	15,600	15,500	15,000	15,000	100
105	18,500	18,500	18,900	18,900	16,900	16,900	14,700	14,600	14,200	14,100	105
110	17,000	17,000	17,400	17,400	15,800	15,800	13,900	13,800	13,400	13,400	110
115	16,100	15,900	16,000	16,000	15,000	15,000	13,100	13,100	12,700	12,700	115
120	15,400	15,300	14,900	14,900	14,000	14,000	12,300	12,300	12,000	12,000	120
125	14,800	14,700	13,700	13,700	12,900	12,900	11,500	11,500	11,400	11,400	125
130	13,800	13,800	12,700	12,700	11,900	11,900	10,700	10,700	10,800	10,800	130
135	11,400	11,400	11,700	11,700	10,900	10,900	10,000	10,000	10,200	10,200	135
140			10,800	10,800	10,000	10,000	9,200	9,200	9,600	9,600	140
145			10,000	10,000	9,200	9,200	8,400	8,400	9,000	9,000	145
150			9,300	9,300	8,400	8,400	7,600	7,600	8,200	8,200	150
155					7,700	7,700	7,100	7,100	7,500	7,500	155
160					7,100	7,100	6,700	6,700	6,800	6,800	160
165					6,500	6,500	6,300	6,300	6,200	6,200	165
170							6,000	6,000	5,600	5,600	170
175							5,600	5,600	5,100	5,100	175
180							5,300	5,300	4,600	4,600	180
185									4,100	4,100	185
190									3,600	3,600	190
195									3,200	3,200	195

Note: Capacities depict multiple boom modes.

This information is not for crane operation. Operator must refer to the in-cab information for crane operation. Rated lifting capacities shown on fully extended outriggers do not exceed 85% of the tipping loads.

Manual Offset Fly Attachment Lift Capacity Charts – Optional

90,000 lb Counterweight - Fully Extended Outriggers - 360° Rotation
 (All Capacities Are Listed In Pounds)

197.2 ft Main Boom Length									
Radius (ft)	32.5 ft Manual Offset Fly				55 ft Manual Offset Fly				Radius (ft)
	0°	15°	30°	45°	0°	15°	30°	45°	
45	12,700								45
50	12,700				9,200				50
55	12,700	13,100			9,200				55
60	12,700	13,100			9,200				60
65	12,700	13,100	14,500		9,200				65
70	12,700	13,100	14,500		9,200	9,700			70
75	12,700	13,100	14,500	15,500	9,200	9,700			75
80	12,700	13,100	14,500	15,500	9,200	9,700			80
85	12,700	13,100	14,500	15,500	9,200	9,700	9,300		85
90	12,700	13,100	14,500	15,500	9,200	9,700	9,200		90
95	12,700	13,100	14,500	14,600	9,200	9,700	9,100	8,200	95
100	12,700	13,100	13,900	13,800	9,200	9,700	9,000	8,200	100
105	12,700	13,100	13,100	13,100	9,200	9,700	8,900	8,100	105
110	12,500	12,400	12,400	12,400	9,200	9,700	8,800	8,000	110
115	11,800	11,800	11,800	11,800	9,200	9,700	8,700	8,000	115
120	11,100	11,100	11,100	11,100	9,200	9,600	8,600	7,900	120
125	10,500	10,500	10,500	10,600	9,200	9,500	8,500	7,900	125
130	9,900	10,000	10,000	10,000	9,200	9,300	8,400	7,800	130
135	9,400	9,400	9,500	9,500	9,000	9,100	8,300	7,700	135
140	8,900	8,900	9,000	9,000	8,500	8,600	8,200	7,700	140
145	8,400	8,400	8,500	8,500	8,000	8,100	8,200	7,600	145
150	7,900	8,000	8,000	8,100	7,600	7,700	7,800	7,600	150
155	7,500	7,600	7,600	7,700	7,200	7,300	7,400	7,500	155
160	7,100	7,200	7,200	7,200	6,800	6,900	7,000	7,100	160
165	6,700	6,800	6,800	6,900	6,400	6,600	6,700	6,700	165
170	6,300	6,400	6,500	6,500	6,100	6,200	6,300	6,400	170
175	5,900	6,100	6,100	6,100	5,700	5,900	6,000	6,000	175
180	5,500	5,700	5,800	5,800	5,400	5,500	5,700	5,700	180
185	5,100	5,300	5,400		5,100	5,200	5,300	5,400	185
190	4,700	4,900	5,000		4,800	5,000	5,000	5,100	190
195	4,400	4,500	4,600		4,500	4,700	4,800	4,800	195
200	4,000	4,200	4,200		4,300	4,400	4,500	4,500	200
205	3,700	3,800	3,900		3,900	4,200	4,200		205
210	3,300	3,500			3,600	3,900	4,000		210
215	3,000	3,100			3,300	3,600	3,700		215
220					3,000	3,200	3,300		220
225					2,800	3,000	3,000		225
230					2,500	2,700			230
235					2,200	2,400			235

This information is not for crane operation. Operator must refer to the in-cab information for crane operation. Rated lifting capacities shown on fully extended outriggers do not exceed 85% of the tipping loads.

90,000 lb Counterweight - Fully Extended Outriggers - 360° Rotation (All Capacities Are Listed In Pounds)													
Radius (ft)	197.2 ft Main Boom Length												Radius (ft)
	73 ft Manual Offset Fly				91 ft Manual Offset Fly				109 ft Manual Offset Fly				
	0°	15°	30°	45°	0°	15°	30°	45°	0°	15°	30°	45°	
60	7,000												60
65	7,000				5,300					3,900			65
70	7,000				5,300					3,900			70
75	7,000	7,300			5,300					3,900			75
80	7,000	7,300			5,300	5,500				3,900			80
85	7,000	7,300			5,300	5,500				3,900	4,100		85
90	7,000	7,300	7,400		5,300	5,500				3,900	4,100		90
95	7,000	7,300	7,300		5,300	5,500	5,900			3,900	4,100		95
100	7,000	7,300	7,100	6,700	5,300	5,500	5,800			3,900	4,100	4,700	100
105	7,000	7,300	7,000	6,600	5,300	5,500	5,600	5,400		3,900	4,100	4,500	105
110	7,000	7,300	6,900	6,400	5,300	5,500	5,500	5,300		3,900	4,100	4,400	110
115	7,000	7,300	6,700	6,300	5,300	5,500	5,400	5,200		3,900	4,100	4,300	115
120	7,000	7,300	6,600	6,200	5,300	5,500	5,200	5,000		3,900	4,100	4,200	120
125	7,000	7,100	6,500	6,100	5,300	5,500	5,100	4,900		3,900	4,100	4,100	125
130	7,000	7,000	6,400	6,000	5,300	5,400	5,000	4,800		3,900	4,100	3,900	130
135	7,000	6,800	6,300	5,900	5,300	5,200	4,900	4,700		3,900	4,000	3,800	135
140	7,000	6,700	6,100	5,900	5,300	5,100	4,800	4,600		3,900	3,900	3,700	140
145	7,000	6,600	6,000	5,800	5,300	5,000	4,700	4,500		3,900	3,800	3,600	145
150	6,900	6,500	5,900	5,700	5,300	4,900	4,600	4,400		3,900	3,700	3,500	150
155	6,500	6,300	5,800	5,600	5,300	4,800	4,500	4,300		3,900	3,600	3,400	155
160	6,100	6,200	5,800	5,500	5,100	4,600	4,400	4,200		3,800	3,500	3,300	160
165	5,700	5,900	5,700	5,500	5,000	4,500	4,300	4,100		3,600	3,400	3,200	165
170	5,400	5,600	5,600	5,400	4,800	4,400	4,200	4,100		3,500	3,300	3,100	170
175	5,100	5,300	5,400	5,300	4,400	4,300	4,100	4,000		3,400	3,200	3,000	175
180	4,800	4,900	5,100	5,200	4,100	4,200	4,000	3,900		3,300	3,100	2,900	180
185	4,500	4,600	4,800	4,900	3,800	4,100	3,900	3,800		3,200	3,000	2,800	185
190	4,200	4,400	4,500	4,600	3,600	3,800	3,800	3,800		3,000	2,900	2,800	190
195	3,900	4,100	4,200	4,300	3,300	3,500	3,700	3,700		2,700	2,800	2,700	195
200	3,700	3,800	3,900	4,000	3,000	3,300	3,400	3,500		2,500	2,700	2,600	200
205	3,400	3,600	3,700	3,700	2,800	3,000	3,200	3,200		2,200	2,500	2,500	205
210	3,200	3,300	3,400	3,500	2,600	2,800	2,900	3,000		2,000	2,200	2,400	210
215	3,000	3,100	3,200	3,200	2,400	2,500	2,700	2,700		1,800	2,000	2,200	215
220	2,700	2,900	3,000		2,100	2,300	2,500	2,500		1,600	1,800	2,000	220
225	2,500	2,700	2,700		1,900	2,100	2,200	2,300		1,400	1,600	1,700	225
230	2,200	2,400	2,500		1,800	1,900	2,000	2,100		1,200	1,400	1,500	230
235	1,900	2,100	2,200		1,600	1,700	1,800				1,200	1,300	235
240	1,700	1,900	2,000		1,400	1,500	1,600					1,100	240
245	1,500	1,600	1,700		1,100	1,400	1,400						245
250	1,300	1,400				1,100	1,200						250
255	1,100	1,200											255

This information is not for crane operation. Operator must refer to the in-cab information for crane operation. Rated lifting capacities shown on fully extended outriggers do not exceed 85% of the tipping loads.

81,200 lb Counterweight - Fully Extended Outriggers - 360° Rotation
(All Capacities Are Listed In Pounds)

197.2 ft Main Boom Length

Radius (ft)	32.5 ft Manual Offset Fly				55 ft Manual Offset Fly				Radius (ft)
	0°	15°	30°	45°	0°	15°	30°	45°	
45	12,700								45
50	12,700				9,200				50
55	12,700	13,100			9,200				55
60	12,700	13,100			9,200				60
65	12,700	13,100	14,500		9,200				65
70	12,700	13,100	14,500		9,200	9,700			70
75	12,700	13,100	14,500	15,500	9,200	9,700			75
80	12,700	13,100	14,500	15,500	9,200	9,700			80
85	12,700	13,100	14,500	15,500	9,200	9,700	9,300		85
90	12,700	13,100	14,500	15,500	9,200	9,700	9,200		90
95	12,700	13,100	14,500	14,600	9,200	9,700	9,100	8,200	95
100	12,700	13,100	13,900	13,800	9,200	9,700	9,000	8,200	100
105	12,700	13,100	13,100	13,100	9,200	9,700	8,900	8,100	105
110	12,500	12,400	12,400	12,400	9,200	9,700	8,800	8,000	110
115	11,800	11,800	11,800	11,800	9,200	9,700	8,700	8,000	115
120	11,100	11,100	11,100	11,100	9,200	9,600	8,600	7,900	120
125	10,500	10,500	10,500	10,600	9,200	9,500	8,500	7,900	125
130	9,900	10,000	10,000	10,000	9,200	9,300	8,400	7,800	130
135	9,400	9,400	9,500	9,500	9,000	9,100	8,300	7,700	135
140	8,900	8,900	9,000	9,000	8,500	8,600	8,200	7,700	140
145	8,400	8,400	8,500	8,500	8,000	8,100	8,200	7,600	145
150	7,900	8,000	8,000	8,100	7,600	7,700	7,800	7,600	150
155	7,500	7,600	7,600	7,700	7,200	7,300	7,400	7,500	155
160	7,100	7,200	7,200	7,200	6,800	6,900	7,000	7,100	160
165	6,600	6,800	6,800	6,900	6,400	6,600	6,700	6,700	165
170	6,000	6,400	6,500	6,500	6,100	6,200	6,300	6,400	170
175	5,500	5,800	6,000	6,100	5,700	5,900	6,000	6,000	175
180	5,000	5,200	5,400		5,400	5,500	5,700	5,700	180
185	4,500	4,700	4,900		5,000	5,200	5,300	5,400	185
190	4,000	4,200	4,400		4,600	5,000	5,000	5,100	190
195	3,600	3,800	3,900		4,100	4,600	4,800	4,800	195
200	3,200	3,400	3,400		3,700	4,100	4,400	4,500	200
205	2,800	3,000	3,000		3,300	3,700	3,900		205
210	2,400	2,600			3,000	3,300	3,500		210
215	2,100	2,200			2,600	2,900	3,100		215
220					2,300	2,600	2,700		220
225					2,000	2,200	2,300		225
230					1,700	1,900			230
235					1,400	1,500			235

This information is not for crane operation. Operator must refer to the in-cab information for crane operation. Rated lifting capacities shown on fully extended outriggers do not exceed 85% of the tipping loads.

81,200 lb Counterweight - Fully Extended Outriggers - 360° Rotation (All Capacities Are Listed In Pounds)													
Radius (ft)	197.2 ft Main Boom Length												Radius (ft)
	73 ft Manual Offset Fly				91 ft Manual Offset Fly				109 ft Manual Offset Fly				
	0°	15°	30°	45°	0°	15°	30°	45°	0°	15°	30°	45°	
60	7,000												60
65	7,000				5,300					3,900			65
70	7,000				5,300					3,900			70
75	7,000	7,300			5,300					3,900			75
80	7,000	7,300			5,300	5,500				3,900			80
85	7,000	7,300			5,300	5,500				3,900	4,100		85
90	7,000	7,300	7,400		5,300	5,500				3,900	4,100		90
95	7,000	7,300	7,300		5,300	5,500	5,900			3,900	4,100		95
100	7,000	7,300	7,100	6,700	5,300	5,500	5,800			3,900	4,100	4,700	100
105	7,000	7,300	7,000	6,600	5,300	5,500	5,600	5,400		3,900	4,100	4,500	105
110	7,000	7,300	6,900	6,400	5,300	5,500	5,500	5,300		3,900	4,100	4,400	110
115	7,000	7,300	6,700	6,300	5,300	5,500	5,400	5,200		3,900	4,100	4,300	115
120	7,000	7,300	6,600	6,200	5,300	5,500	5,200	5,000		3,900	4,100	4,200	120
125	7,000	7,100	6,500	6,100	5,300	5,500	5,100	4,900		3,900	4,100	4,100	125
130	7,000	7,000	6,400	6,000	5,300	5,400	5,000	4,800		3,900	4,100	3,900	130
135	7,000	6,800	6,300	5,900	5,300	5,200	4,900	4,700		3,900	4,000	3,800	135
140	7,000	6,700	6,100	5,900	5,300	5,100	4,800	4,600		3,900	3,900	3,700	140
145	7,000	6,600	6,000	5,800	5,300	5,000	4,700	4,500		3,900	3,800	3,600	145
150	6,900	6,500	5,900	5,700	5,300	4,900	4,600	4,400		3,900	3,700	3,500	150
155	6,500	6,300	5,800	5,600	5,300	4,800	4,500	4,300		3,900	3,600	3,400	155
160	6,100	6,200	5,800	5,500	5,100	4,600	4,400	4,200		3,800	3,500	3,300	160
165	5,700	5,900	5,700	5,500	5,000	4,500	4,300	4,100		3,600	3,400	3,200	165
170	5,400	5,600	5,600	5,400	4,800	4,400	4,200	4,100		3,500	3,300	3,100	170
175	5,100	5,300	5,400	5,300	4,400	4,300	4,100	4,000		3,400	3,200	3,000	175
180	4,800	4,900	5,100	5,200	4,100	4,200	4,000	3,900		3,300	3,100	2,900	180
185	4,500	4,600	4,800	4,900	3,800	4,100	3,900	3,800		3,200	3,000	2,800	185
190	4,200	4,400	4,500	4,600	3,600	3,800	3,800	3,800		3,000	2,900	2,800	190
195	3,900	4,100	4,200	4,300	3,300	3,500	3,700	3,700		2,700	2,800	2,700	195
200	3,700	3,800	3,900	4,000	3,000	3,300	3,400	3,500		2,500	2,700	2,600	200
205	3,300	3,600	3,700	3,700	2,800	3,000	3,200	3,200		2,200	2,500	2,500	205
210	2,900	3,300	3,400	3,500	2,600	2,800	2,900	3,000		2,000	2,200	2,400	210
215	2,500	2,900	3,200	3,200	2,400	2,500	2,700	2,700		1,800	2,000	2,200	215
220	2,200	2,600	2,800		2,100	2,300	2,500	2,500		1,600	1,800	2,000	220
225	1,900	2,200	2,400		1,800	2,100	2,200	2,300		1,400	1,600	1,700	225
230	1,600	1,900	2,000		1,500	1,800	2,000	2,100		1,200	1,400	1,500	230
235	1,300	1,600	1,700		1,200	1,500	1,700				1,200	1,300	235
240		1,300	1,300			1,200	1,400					1,100	240
245							1,100						245

This information is not for crane operation. Operator must refer to the in-cab information for crane operation. Rated lifting capacities shown on fully extended outriggers do not exceed 85% of the tipping loads.

Hydraulic Offset Fly Attachment Lift Capacity Charts – Optional

90,000 lb Counterweight - Fully Extended Outriggers - 360° Rotation
 (All Capacities Are Listed In Pounds)

197.2 ft Main Boom Length

Radius (ft)	32.5 ft Hydraulic Offset Fly				55 ft Hydraulic Offset Fly				Radius (ft)
	0° - 2°	2.1° - 15°	15.1° - 30°	30.1° - 45°	0° - 2°	2.1° - 15°	15.1° - 30°	30.1° - 45°	
45	12,700	12,700							45
50	12,700	12,700	13,100		9,200	9,200			50
55	12,700	12,700	13,100		9,200	9,200			55
60	12,700	12,700	13,100	14,400	9,200	9,200	9,500		60
65	12,700	12,700	13,100	14,400	9,200	9,200	9,500		65
70	12,700	12,700	13,100	14,400	9,200	9,200	9,500		70
75	12,700	12,700	13,100	14,400	9,200	9,200	9,500	9,500	75
80	12,700	12,700	13,100	14,400	9,200	9,200	9,400	8,400	80
85	12,700	12,700	13,100	14,400	9,200	9,200	9,300	8,300	85
90	12,700	12,700	13,100	14,400	9,200	9,200	9,100	8,200	90
95	12,700	12,700	13,100	14,400	9,200	9,200	9,000	8,200	95
100	12,700	12,700	13,100	13,600	9,200	9,200	8,900	8,100	100
105	12,700	12,700	12,800	12,800	9,200	9,200	8,800	8,000	105
110	12,100	12,100	12,100	12,100	9,200	9,200	8,700	8,000	110
115	11,400	11,400	11,500	11,500	9,200	9,200	8,600	7,900	115
120	10,800	10,800	10,800	10,800	9,200	9,200	8,500	7,900	120
125	10,200	10,200	10,200	10,200	9,200	9,200	8,400	7,800	125
130	9,600	9,600	9,600	9,700	9,200	9,200	8,300	7,700	130
135	9,100	9,100	9,100	9,200	8,700	8,700	8,200	7,700	135
140	8,500	8,600	8,600	8,700	8,200	8,200	8,200	7,600	140
145	8,100	8,100	8,100	8,200	7,700	7,800	7,900	7,500	145
150	7,600	7,600	7,700	7,700	7,300	7,300	7,500	7,500	150
155	7,200	7,200	7,300	7,300	6,900	6,900	7,000	7,200	155
160	6,800	6,800	6,900	6,900	6,500	6,500	6,700	6,800	160
165	6,400	6,400	6,500	6,500	6,100	6,200	6,300	6,400	165
170	6,000	6,000	6,100	6,200	5,800	5,800	5,900	6,100	170
175	5,600	5,600	5,700	5,800	5,400	5,500	5,600	5,700	175
180	5,200	5,200	5,400	5,500	5,100	5,200	5,300	5,400	180
185	4,800	4,800	4,900	5,100	4,800	4,800	5,000	5,100	185
190	4,400	4,400	4,600	4,700	4,500	4,600	4,700	4,800	190
195	4,000	4,100	4,200	4,200	4,300	4,300	4,400	4,500	195
200	3,700	3,700	3,800	3,800	3,900	4,000	4,100	4,200	200
205	3,400	3,400	3,500	3,400	3,600	3,700	3,900	4,000	205
210	3,000	3,100	3,100		3,300	3,400	3,600	3,700	210
215	2,700	2,700			3,000	3,100	3,200	3,300	215
220					2,700	2,800	2,900	3,000	220
225					2,500	2,500	2,600	2,600	225
230					2,200	2,200	2,400		230
235					1,900	2,000			235

This information is not for crane operation. Operator must refer to the in-cab information for crane operation. Rated lifting capacities shown on fully extended outriggers do not exceed 85% of the tipping loads.

90,000 lb Counterweight - Fully Extended Outriggers - 360° Rotation (All Capacities Are Listed In Pounds)														
Radius (ft)	197.2 ft Main Boom Length												Radius (ft)	
	73 ft Hydraulic Offset Fly				91 ft Hydraulic Offset Fly				109 ft Hydraulic Offset Fly					
	0°-2°	2.1°-15°	15.1°-30°	30.1°-45°	0°-2°	2.1°-15°	15.1°-30°	30.1°-45°	0°-2°	2.1°-15°	15.1°-30°	30.1°-45°		
60	7,000	7,000												60
65	7,000	7,000			5,200	5,200			3,800	3,800				65
70	7,000	7,000			5,200	5,200			3,800	3,800				70
75	7,000	7,000	7,300		5,200	5,200	5,400		3,800	3,800	4,000			75
80	7,000	7,000	7,300		5,200	5,200	5,400		3,800	3,800	4,000			80
85	7,000	7,000	7,300	7,000	5,200	5,200	5,400	6,100	3,800	3,800	4,000			85
90	7,000	7,000	7,300	6,900	5,200	5,200	5,400	5,700	3,800	3,800	4,000	4,600		90
95	7,000	7,000	7,200	6,700	5,200	5,200	5,400	5,600	3,800	3,800	4,000	4,600		95
100	7,000	7,000	7,100	6,600	5,200	5,200	5,400	5,400	3,800	3,800	4,000	4,500		100
105	7,000	7,000	6,900	6,500	5,200	5,200	5,400	5,300	3,800	3,800	4,000	4,400		105
110	7,000	7,000	6,800	6,400	5,200	5,200	5,400	5,200	3,800	3,800	4,000	4,200		110
115	7,000	7,000	6,700	6,300	5,200	5,200	5,300	5,100	3,800	3,800	4,000	4,100		115
120	7,000	7,000	6,500	6,200	5,200	5,200	5,100	4,900	3,800	3,800	4,000	4,000		120
125	7,000	7,000	6,400	6,000	5,200	5,200	5,000	4,800	3,800	3,800	3,900	3,900		125
130	7,000	6,900	6,300	6,000	5,200	5,200	4,900	4,700	3,800	3,800	3,800	3,700		130
135	7,000	6,800	6,200	5,900	5,200	5,100	4,800	4,600	3,800	3,800	3,700	3,600		135
140	7,000	6,600	6,100	5,800	5,200	5,000	4,700	4,500	3,800	3,800	3,600	3,500		140
145	7,000	6,500	6,000	5,700	5,200	4,900	4,600	4,400	3,800	3,700	3,500	3,400		145
150	6,600	6,400	5,800	5,600	5,100	4,700	4,400	4,300	3,800	3,500	3,400	3,300		150
155	6,200	6,200	5,800	5,500	5,000	4,600	4,300	4,200	3,600	3,400	3,300	3,200		155
160	5,800	5,800	5,700	5,400	4,900	4,500	4,200	4,100	3,500	3,300	3,200	3,100		160
165	5,400	5,500	5,600	5,400	4,800	4,400	4,100	4,000	3,400	3,200	3,100	3,000		165
170	5,100	5,100	5,300	5,300	4,400	4,300	4,000	3,900	3,300	3,100	3,000	2,900		170
175	4,800	4,800	5,000	5,100	4,100	4,200	3,900	3,900	3,200	3,000	2,900	2,800		175
180	4,500	4,500	4,700	4,800	3,800	3,900	3,900	3,800	3,100	2,900	2,800	2,700		180
185	4,200	4,200	4,400	4,500	3,500	3,600	3,800	3,700	2,900	2,800	2,700	2,600		185
190	3,900	3,900	4,100	4,200	3,300	3,300	3,500	3,600	2,700	2,700	2,600	2,600		190
195	3,600	3,700	3,800	3,900	3,000	3,000	3,200	3,400	2,400	2,500	2,500	2,500		195
200	3,400	3,400	3,500	3,700	2,700	2,800	3,000	3,100	2,100	2,200	2,400	2,400		200
205	3,100	3,100	3,300	3,400	2,500	2,500	2,700	2,900	1,900	2,000	2,200	2,300		205
210	2,900	2,900	3,000	3,200	2,300	2,300	2,500	2,600	1,700	1,700	1,900	2,100		210
215	2,700	2,700	2,800	2,900	2,000	2,100	2,200	2,400	1,500	1,500	1,700	1,900		215
220	2,400	2,500	2,600	2,700	1,800	1,900	2,000	2,200	1,300	1,300	1,500	1,700		220
225	2,100	2,200	2,400	2,500	1,600	1,700	1,800	1,900	1,100	1,100	1,300	1,400		225
230	1,900	1,900	2,100	2,200	1,400	1,500	1,600	1,700			1,100	1,200		230
235	1,600	1,700	1,800	1,900	1,300	1,300	1,400	1,500						235
240	1,400	1,400	1,600	1,500		1,100	1,200	1,300						240
245	1,200	1,200	1,300	1,200				1,100						245
250			1,100											250

This information is not for crane operation. Operator must refer to the in-cab information for crane operation. Rated lifting capacities shown on fully extended outriggers do not exceed 85% of the tipping loads.

**81,200 lb Counterweight - Fully Extended Outriggers - 360° Rotation
(All Capacities Are Listed In Pounds)**

197.2 ft Main Boom Length

Radius (ft)	32.5 ft Manual Offset Fly				55 ft Manual Offset Fly				Radius (ft)
	0°	15°	30°	45°	0°	15°	30°	45°	
45	12,700	12,700			10,300	10,300			45
50	12,700	12,700	13,100		9,200	9,200			50
55	12,700	12,700	13,100		9,200	9,200			55
60	12,700	12,700	13,100	14,400	9,200	9,200	9,500		60
65	12,700	12,700	13,100	14,400	9,200	9,200	9,500		65
70	12,700	12,700	13,100	14,400	9,200	9,200	9,500		70
75	12,700	12,700	13,100	14,400	9,200	9,200	9,500	9,500	75
80	12,700	12,700	13,100	14,400	9,200	9,200	9,400	9,400	80
85	12,700	12,700	13,100	14,400	9,200	9,200	9,300	8,300	85
90	12,700	12,700	13,100	14,400	9,200	9,200	9,100	8,200	90
95	12,700	12,700	13,100	14,400	9,200	9,200	9,000	8,200	95
100	12,700	12,700	13,100	13,600	9,200	9,200	8,900	8,100	100
105	12,700	12,700	12,800	12,800	9,200	9,200	8,800	8,000	105
110	12,100	12,100	12,100	12,100	9,200	9,200	8,700	8,000	110
115	11,400	11,400	11,500	11,500	9,200	9,200	8,600	7,900	115
120	10,800	10,800	10,800	10,800	9,200	9,200	8,500	7,900	120
125	10,200	10,200	10,200	10,200	9,200	9,200	8,400	7,800	125
130	9,600	9,600	9,600	9,700	9,200	9,200	8,300	7,700	130
135	9,100	9,100	9,100	9,200	8,700	8,700	8,200	7,700	135
140	8,500	8,500	8,600	8,700	8,200	8,200	8,200	7,600	140
145	8,100	8,100	8,100	8,200	7,700	7,700	7,900	7,500	145
150	7,600	7,600	7,700	7,700	7,300	7,300	7,500	7,500	150
155	7,200	7,200	7,300	7,300	6,900	6,900	7,000	7,200	155
160	6,800	6,800	6,900	6,900	6,500	6,500	6,700	6,800	160
165	6,300	6,300	6,500	6,500	6,100	6,100	6,300	6,400	165
170	5,700	5,700	6,000	6,200	5,800	5,800	5,900	6,100	170
175	5,200	5,200	5,500	5,700	5,400	5,400	5,600	5,700	175
180	4,600	4,700	4,900	5,100	5,100	5,100	5,300	5,400	180
185	4,200	4,200	4,400	4,600	4,700	4,800	5,000	5,100	185
190	3,700	3,700	3,900	4,100	4,300	4,300	4,700	4,800	190
195	3,300	3,300	3,500	3,600	3,800	3,900	4,300	4,500	195
200	2,900	2,900	3,000	3,100	3,400	3,500	3,800	4,100	200
205	2,500	2,500	2,600	2,600	3,000	3,100	3,400	3,700	205
210	2,100	2,100	2,200		2,700	2,700	3,000	3,200	210
215	1,800	1,800			2,300	2,300	2,600	2,800	215
220					2,000	2,000	2,300	2,300	220
225					1,700	1,700	1,900	1,800	225
230					1,400	1,400	1,600		230
235					1,100	1,100			235

This information is not for crane operation. Operator must refer to the in-cab information for crane operation. Rated lifting capacities shown on fully extended outriggers do not exceed 85% of the tipping loads.

81,200 lb Counterweight - Fully Extended Outriggers - 360° Rotation (All Capacities Are Listed In Pounds)													
Radius (ft)	197.2 ft Main Boom Length												Radius (ft)
	73 ft Hydraulic Offset Fly				91 ft Hydraulic Offset Fly				109 ft Hydraulic Offset Fly				
	0°-2°	2.1°-15°	15.1°-30°	30.1°-45°	0°-2°	2.1°-15°	15.1°-30°	30.1°-45°	0°-2°	2.1°-15°	15.1°-30°	30.1°-45°	
60	7,000	7,000											60
65	7,000	7,000			5,200	5,200			3,800	3,800			65
70	7,000	7,000			5,200	5,200			3,800	3,800			70
75	7,000	7,000	7,300		5,200	5,200	5,400		3,800	3,800	4,000		75
80	7,000	7,000	7,300		5,200	5,200	5,400		3,800	3,800	4,000		80
85	7,000	7,000	7,300	7,000	5,200	5,200	5,400	6,100	3,800	3,800	4,000		85
90	7,000	7,000	7,300	6,900	5,200	5,200	5,400	5,700	3,800	3,800	4,000	4,600	90
95	7,000	7,000	7,200	6,700	5,200	5,200	5,400	5,600	3,800	3,800	4,000	4,600	95
100	7,000	7,000	7,100	6,600	5,200	5,200	5,400	5,400	3,800	3,800	4,000	4,500	100
105	7,000	7,000	6,900	6,500	5,200	5,200	5,400	5,300	3,800	3,800	4,000	4,400	105
110	7,000	7,000	6,800	6,400	5,200	5,200	5,400	5,200	3,800	3,800	4,000	4,200	110
115	7,000	7,000	6,700	6,300	5,200	5,200	5,300	5,100	3,800	3,800	4,000	4,100	115
120	7,000	7,000	6,500	6,200	5,200	5,200	5,100	4,900	3,800	3,800	4,000	4,000	120
125	7,000	7,000	6,400	6,000	5,200	5,200	5,000	4,800	3,800	3,800	3,900	3,900	125
130	7,000	6,900	6,300	6,000	5,200	5,200	4,900	4,700	3,800	3,800	3,800	3,700	130
135	7,000	6,800	6,200	5,900	5,200	5,100	4,800	4,600	3,800	3,800	3,700	3,600	135
140	7,000	6,600	6,100	5,800	5,200	5,000	4,700	4,500	3,800	3,800	3,600	3,500	140
145	7,000	6,500	6,000	5,700	5,200	4,900	4,600	4,400	3,800	3,700	3,500	3,400	145
150	6,600	6,400	5,800	5,600	5,100	4,700	4,400	4,300	3,800	3,500	3,400	3,300	150
155	6,200	6,200	5,800	5,500	5,000	4,600	4,300	4,200	3,600	3,400	3,300	3,200	155
160	5,800	5,800	5,700	5,400	4,900	4,500	4,200	4,100	3,500	3,300	3,200	3,100	160
165	5,400	5,500	5,600	5,400	4,800	4,400	4,100	4,000	3,400	3,200	3,100	3,000	165
170	5,100	5,100	5,300	5,300	4,400	4,300	4,000	3,900	3,300	3,100	3,000	2,900	170
175	4,800	4,800	5,000	5,100	4,100	4,200	3,900	3,900	3,200	3,000	2,900	2,800	175
180	4,500	4,500	4,700	4,800	3,800	3,900	3,900	3,800	3,100	2,900	2,800	2,700	180
185	4,200	4,200	4,400	4,500	3,500	3,600	3,800	3,700	2,900	2,800	2,700	2,600	185
190	3,900	3,900	4,100	4,200	3,300	3,300	3,500	3,600	2,700	2,700	2,600	2,600	190
195	3,600	3,700	3,800	3,900	3,000	3,000	3,200	3,400	2,400	2,500	2,500	2,500	195
200	3,400	3,400	3,500	3,700	2,700	2,800	3,000	3,100	2,100	2,200	2,400	2,400	200
205	3,000	3,100	3,300	3,400	2,500	2,500	2,700	2,900	1,900	2,000	2,200	2,300	205
210	2,600	2,700	3,000	3,200	2,300	2,300	2,500	2,600	1,700	1,700	1,900	2,100	210
215	2,300	2,300	2,600	2,900	2,000	2,100	2,200	2,400	1,500	1,500	1,700	1,900	215
220	1,900	2,000	2,300	2,500	1,800	1,900	2,000	2,200	1,300	1,300	1,500	1,700	220
225	1,600	1,700	1,900	2,100	1,500	1,600	1,800	1,900	1,100	1,100	1,300	1,400	225
230	1,300	1,400	1,600	1,700	1,200	1,300	1,500	1,700			1,100	1,200	230
235		1,100	1,300	1,300			1,200	1,400					235
240							1,100						240

This information is not for crane operation. Operator must refer to the in-cab information for crane operation. Rated lifting capacities shown on fully extended outriggers do not exceed 85% of the tipping loads.

Main Boom Lift Capacity Charts – Metric 85% – Optional

41mt Counterweight - Fully Extended Outriggers - 360° Rotation (All Capacities Are Listed In Kilograms)												
Radius (m)	Boom Length (m)											Radius (m)
	13.03	17.47-17.74	21.91-22.58	26.49-27.56	31.07-32.53	35.78-37.11	40.49-41.55	45.6-45.99	50.18-50.71	55.15-55.69	60.13	
3.0	110 000	86 950	78 550									3.0
3.5	100 500	86 950	74 150	42 200								3.5
4.0	92 050	86 950	70 200	63 050								4.0
4.5	84 750	85 600	66 650	59 600								4.5
5.0	78 400	79 650	63 350	56 450	46 000							5.0
6.0	68 000	69 400	57 700	51 050	46 550	35 900						6.0
7.0	59 750	61 100	53 000	46 550	42 550	35 900	27 800					7.0
8.0	53 250	54 600	48 850	42 600	39 150	35 900	27 800	20 800				8.0
9.0	47 750	49 150	45 400	39 250	36 250	34 900	27 800	20 800	16 050			9.0
10.0	43 100	44 600	42 300	36 350	33 650	32 500	26 050	20 800	16 050	12 000		10.0
12.0		37 150	36 750	31 550	29 350	28 500	25 850	20 800	16 050	12 700	10 200	12.0
14.0		31 100	31 300	27 700	25 900	25 250	24 000	19 650	16 050	12 700	10 200	14.0
16.0			26 650	24 900	23 100	22 600	21 550	17 600	16 050	12 700	10 200	16.0
18.0			23 000	22 400	20 750	20 350	19 450	16 100	15 100	12 600	10 200	18.0
20.0				19 900	18 700	18 400	17 700	14 850	13 750	11 600	10 200	20.0
22.0				17 250	17 100	16 650	16 150	13 800	12 550	10 700	10 200	22.0
24.0				15 100	15 000	14 700	14 850	12 850	11 450	9 900	9 550	24.0
26.0					13 550	13 650	13 300	12 050	10 500	9 200	8 850	26.0
28.0					12 500	12 250	11 800	11 300	9 650	8 550	8 250	28.0
30.0						11 000	10 550	10 600	8 900	7 950	7 650	30.0
32.0						9 900	9 450	9 700	8 200	7 300	7 100	32.0
34.0						7 100	8 500	8 750	7 600	6 750	6 650	34.0
36.0							8 050	7 900	7 050	6 200	6 250	36.0
38.0							7 400	7 200	6 550	5 750	5 850	38.0
40.0								6 550	6 100	5 300	5 450	40.0
42.0								5 950	5 650	4 900	5 050	42.0
44.0									5 100	4 500	4 650	44.0
46.0									4 600	4 150	4 300	46.0
48.0										3 850	4 000	48.0
50.0										3 550	3 700	50.0
52.0										3 350	3 400	52.0
54.0											3 050	54.0
56.0											2 750	56.0

This information is not for crane operation. Operator must refer to the in-cab information for crane operation. Rated lifting capacities shown on fully extended outriggers do not exceed 75%/ISO of the tipping loads and on tires do not exceed 65%/ISO of the tipping loads.

37mt Counterweight - Fully Extended Outriggers - 360° Rotation (All Capacities Are Listed In Kilograms)												
Radius (m)	Boom Length (m)											Radius (m)
	13.03	17.47-17.74	21.91-22.58	26.49-27.56	31.07-32.53	35.78-37.11	40.49-41.55	45.6-45.99	50.18-50.71	55.15-55.69	60.13	
2.1	150 000*											2.1
3.0	110 000	86 950	78 550									3.0
3.5	99 600	86 950	74 150	42 200								3.5
4.0	91 200	86 950	70 200	63 050								4.0
4.5	83 950	85 150	66 650	59 600								4.5
5.0	77 700	78 950	63 350	56 450	46 000							5.0
6.0	67 350	68 750	57 700	51 050	46 550	35 900						6.0
7.0	59 150	60 500	53 000	46 550	42 550	35 900	27 800					7.0
8.0	52 750	54 100	48 850	42 600	39 150	35 900	27 800	20 800				8.0
9.0	47 250	48 700	45 400	39 250	36 250	34 900	27 800	20 800	16 050			9.0
10.0	42 500	44 150	42 300	36 350	33 650	32 500	26 050	20 800	16 050	12 000		10.0
12.0		36 250	35 800	31 550	29 350	28 500	25 850	20 800	16 050	12 700	10 200	12.0
14.0		30 150	30 400	27 700	25 900	25 250	24 000	19 650	16 050	12 700	10 200	14.0
16.0			25 650	24 900	23 100	22 600	21 550	17 600	16 050	12 700	10 200	16.0
18.0			21 500	21 750	20 450	20 350	19 450	16 100	15 100	12 600	10 200	18.0
20.0				18 550	18 450	18 000	17 700	14 850	13 750	11 600	10 200	20.0
22.0				16 050	15 900	15 850	16 000	13 800	12 550	10 700	10 200	22.0
24.0				14 050	14 450	14 500	14 000	12 850	11 450	9 900	9 550	24.0
26.0					13 000	12 800	12 300	12 050	10 500	9 200	8 850	26.0
28.0					11 600	11 350	10 900	11 150	9 650	8 550	8 250	28.0
30.0						10 150	9 700	9 950	8 900	7 950	7 650	30.0
32.0						9 100	9 050	8 900	8 200	7 300	7 100	32.0
34.0						6 350	8 450	8 000	7 600	6 750	6 650	34.0
36.0							7 700	7 250	6 950	6 200	6 250	36.0
38.0							7 000	6 550	6 250	5 750	5 850	38.0
40.0								5 950	5 600	5 300	5 450	40.0
42.0								5 350	5 050	4 750	5 050	42.0
44.0									4 550	4 300	4 550	44.0
46.0									4 100	4 050	4 100	46.0
48.0										3 800	3 650	48.0
50.0										3 550	3 250	50.0
52.0										3 200	2 900	52.0
54.0											2 600	54.0
56.0											2 300	56.0

Note: Capacities depict multiple boom modes.
*Over the rear, only intermediate outriggers; additional equipment required.

This information is not for crane operation. Operator must refer to the in-cab information for crane operation. Rated lifting capacities shown on fully extended outriggers do not exceed 75%/ISO of the tipping loads and on tires do not exceed 65%/ISO of the tipping loads.

**17mt Counterweight - Fully Extended Outriggers - 360° Rotation
(All Capacities Are Listed In Kilograms)**

Radius (m)	Boom Length (m)											Radius (m)
	13	17.4-17.7	21.9-22.5	26.4-27.5	31.0-32.5	35.7-37.1	40.4-41.5	45.6-45.9	50.1-50.7	55.1-55.6	60.1	
3.0	104 550	86 950	78 550									3.0
3.5	95 000	86 950	74 150	42 200								3.5
4.0	86 900	86 950	70 200	63 050								4.0
4.5	80 000	81 250	66 650	59 600								4.5
5.0	73 950	75 300	63 350	56 450	46 000							5.0
6.0	64 050	65 500	57 700	51 050	46 550	35 900						6.0
7.0	54 450	56 200	53 000	46 550	42 550	35 900	27 800					7.0
8.0	46 300	48 350	48 000	42 600	39 150	35 900	27 800	20 800				8.0
9.0	38 850	41 800	41 850	39 250	36 250	34 900	27 800	20 800	16 050			9.0
10.0	32 100	34 950	36 000	35 000	33 650	32 500	26 050	20 800	16 050	12 000		10.0
12.0		25 800	26 900	27 050	26 800	26 200	25 850	20 800	16 050	12 700	10 200	12.0
14.0		19 850	20 950	21 200	21 700	21 550	20 900	19 650	16 050	12 700	10 200	14.0
16.0			17 000	17 600	17 600	17 300	16 650	16 950	16 050	12 700	10 200	16.0
18.0			13 900	14 500	14 550	14 250	14 500	13 950	13 550	12 600	10 200	18.0
20.0				12 100	12 200	12 400	12 150	11 650	11 200	10 800	10 200	20.0
22.0				10 250	10 600	10 600	10 350	9 800	9 400	9 650	9 350	22.0
24.0				8 500	9 100	9 150	9 100	8 350	8 150	8 300	7 950	24.0
26.0					7 900	7 900	7 900	7 250	7 500	7 200	6 850	26.0
28.0					6 900	6 900	6 950	6 250	6 550	6 200	5 850	28.0
30.0						6 050	6 050	5 400	5 700	5 350	5 000	30.0
32.0							5 300	5 300	4 650	4 950	4 600	32.0
34.0							2 250	4 650	4 000	4 300	4 000	34.0
36.0								4 100	3 450	3 750	3 400	36.0
38.0								3 400	2 950	3 250	2 900	38.0
40.0									2 500	2 800	2 500	40.0
42.0									2 100	2 400	2 100	42.0
44.0										2 050	1 750	44.0
46.0										1 750	1 400	46.0
48.0											1 100	48.0
50.0											850	50.0
52.0											600	52.0
54.0												54.0
56.0												56.0

This information is not for crane operation. Operator must refer to the in-cab information for crane operation. Rated lifting capacities shown on fully extended outriggers do not exceed 75%/ISO of the tipping loads and on tires do not exceed 65%/ISO of the tipping loads.

13mt Counterweight - Fully Extended Outriggers - 360° Rotation (All Capacities Are Listed In Kilograms)												
Radius (m)	Boom Length (m)											Radius (m)
	13	17.4-17.7	21.9-22.5	26.4-27.5	31.0-32.5	35.7-37.1	40.4-41.5	45.6-45.9	50.1-50.7	55.1-55.6	60.1	
3.0	103 550	86 950	78 550									3.0
3.5	94 100	86 950	74 150	42 200								3.5
4.0	86 050	86 950	70 200	63 050								4.0
4.5	79 200	80 500	66 650	59 600								4.5
5.0	73 250	74 600	63 350	56 450	46 000							5.0
6.0	62 400	64 100	57 700	51 050	46 550	35 900						6.0
7.0	52 350	54 350	53 000	46 550	42 550	35 900	27 800					7.0
8.0	43 750	46 450	46 550	42 600	39 150	35 900	27 800	20 800				8.0
9.0	35 100	38 100	39 100	37 800	36 250	34 900	27 800	20 800	16 050			9.0
10.0	28 900	31 750	32 800	32 950	31 750	32 000	26 050	20 800	16 050	12 000		10.0
12.0		23 200	24 300	24 450	24 150	24 850	24 150	20 800	16 050	12 700	10 200	12.0
14.0		17 450	18 950	19 500	19 500	19 150	18 500	18 800	16 050	12 700	10 200	14.0
16.0			15 000	15 600	15 550	15 300	15 500	15 000	14 550	12 700	10 200	16.0
18.0			12 150	12 750	13 100	13 050	12 750	12 200	11 800	11 500	10 200	18.0
20.0				10 600	10 950	10 950	10 900	10 100	9 800	10 050	9 650	20.0
22.0				8 900	9 250	9 250	9 250	8 450	8 750	8 400	8 000	22.0
24.0				7 300	7 900	7 900	7 900	7 200	7 500	7 150	6 800	24.0
26.0					6 800	6 800	6 850	6 150	6 450	6 050	5 700	26.0
28.0					5 850	5 900	5 900	5 200	5 500	5 150	4 800	28.0
30.0						5 100	5 100	4 450	4 750	4 400	4 050	30.0
32.0						4 400	4 400	3 750	4 100	3 750	3 400	32.0
34.0						1 450	3 850	3 150	3 500	3 150	2 850	34.0
36.0							3 300	2 650	2 950	2 650	2 350	36.0
38.0							2 650	2 200	2 500	2 200	1 900	38.0
40.0								1 800	2 100	1 800	1 500	40.0
42.0								1 450	1 750	1 450	1 150	42.0
44.0									1 450	1 100	800	44.0
46.0									1 150	800		46.0
48.0										550		48.0
50.0												50.0
52.0												52.0
54.0												54.0
56.0												56.0

This information is not for crane operation. Operator must refer to the in-cab information for crane operation. Rated lifting capacities shown on fully extended outriggers do not exceed 75%/ISO of the tipping loads and on tires do not exceed 65%/ISO of the tipping loads.

9mt Counterweight - Fully Extended Outriggers - 360° Rotation (All Capacities Are Listed In Kilograms)												
Radius (m)	Boom Length (m)											Radius (m)
	13	17.4-17.7	21.9-22.5	26.4-27.5	31.0-32.5	35.7-37.1	40.4-41.5	45.6-45.9	50.1-50.7	55.1-55.6	60.1	
3.0	102 550	86 950	78 550									3.0
3.5	93 150	86 950	74 150	42 200								3.5
4.0	85 250	86 450	70 200	63 050								4.0
4.5	78 400	79 700	66 650	59 600								4.5
5.0	72 500	73 850	63 350	56 450	46 000							5.0
6.0	60 250	62 000	57 700	51 050	46 550	35 900						6.0
7.0	49 600	51 650	51 300	46 550	42 550	35 900	27 800					7.0
8.0	39 250	42 350	43 050	40 650	39 150	35 900	27 800	20 800				8.0
9.0	31 350	34 350	35 350	35 550	34 000	34 500	27 800	20 800	16 050			9.0
10.0	25 400	28 550	29 600	29 800	29 500	28 800	26 050	20 800	16 050	12 000		10.0
12.0		20 200	21 750	21 800	22 250	21 900	21 200	20 700	16 050	12 700	10 200	12.0
14.0		15 050	16 550	17 050	17 050	16 750	17 000	16 400	15 900	12 700	10 200	14.0
16.0			13 000	13 600	13 900	13 850	13 550	13 000	12 550	12 100	10 200	16.0
18.0			10 450	11 000	11 350	11 300	11 300	10 500	10 800	10 400	10 000	18.0
20.0				9 050	9 450	9 400	9 350	8 600	8 900	8 500	8 150	20.0
22.0				7 550	7 900	7 900	7 850	7 200	7 500	7 100	6 750	22.0
24.0				6 050	6 700	6 700	6 700	6 000	6 300	5 900	5 600	24.0
26.0					5 700	5 700	5 750	5 000	5 300	4 950	4 600	26.0
28.0					4 850	4 850	4 900	4 200	4 500	4 150	3 800	28.0
30.0						4 150	4 150	3 500	3 800	3 450	3 100	30.0
32.0						3 550	3 550	2 900	3 200	2 850	2 500	32.0
34.0							3 000	2 350	2 650	2 350	2 000	34.0
36.0							2 550	1 900	2 200	1 900	1 550	36.0
38.0							1 900	1 500	1 800	1 450	1 150	38.0
40.0								1 100	1 400	1 100	800	40.0
42.0								800	1 100	800		42.0
44.0									800			44.0
46.0												46.0
48.0												48.0
50.0												50.0
52.0												52.0
54.0												54.0
56.0												56.0

This information is not for crane operation. Operator must refer to the in-cab information for crane operation. Rated lifting capacities shown on fully extended outriggers do not exceed 75%/ISO of the tipping loads and on tires do not exceed 65%/ISO of the tipping loads.

5mt Counterweight - Fully Extended Outriggers - 360° Rotation (All Capacities Are Listed In Kilograms)												
Radius (m)	Boom Length (m)											Radius (m)
	13	17.4-17.7	21.9-22.5	26.4-27.5	31.0-32.5	35.7-37.1	40.4-41.5	45.6-45.9	50.1-50.7	55.1-55.6	60.1	
3.0	101 550	86 950	78 550									3.0
3.5	92 250	86 950	74 150	42 200								3.5
4.0	84 400	85 600	70 200	63 050								4.0
4.5	77 600	78 900	66 650	59 600								4.5
5.0	70 700	72 400	63 350	56 450	46 000							5.0
6.0	57 350	59 500	57 700	51 050	46 550	35 900						6.0
7.0	45 400	48 650	48 650	46 550	42 550	35 900	27 800					7.0
8.0	34 750	37 850	38 900	39 100	37 050	35 900	27 800	20 800				8.0
9.0	27 100	30 400	31 450	31 650	31 300	30 600	27 800	20 800	16 050			9.0
10.0	21 500	24 700	26 200	25 900	26 750	26 350	25 550	20 800	16 050	12 000		10.0
12.0		17 200	18 750	19 250	19 250	18 900	19 200	18 550	16 050	12 700	10 200	12.0
14.0		12 650	14 150	14 700	15 000	15 000	14 700	14 050	13 600	12 700	10 200	14.0
16.0			11 000	11 550	11 900	11 850	11 800	10 950	11 300	10 900	10 200	16.0
18.0			8 700	9 250	9 650	9 600	9 550	8 750	9 050	8 650	8 250	18.0
20.0				7 550	7 900	7 900	7 850	7 150	7 450	7 050	6 700	20.0
22.0				6 200	6 550	6 600	6 550	5 800	6 150	5 750	5 400	22.0
24.0				4 800	5 450	5 500	5 500	4 750	5 050	4 700	4 350	24.0
26.0					4 550	4 600	4 600	3 900	4 200	3 850	3 500	26.0
28.0					3 800	3 850	3 850	3 150	3 450	3 100	2 750	28.0
30.0						3 200	3 200	2 550	2 850	2 500	2 150	30.0
32.0						2 650	2 650	2 000	2 300	1 950	1 650	32.0
34.0							2 200	1 550	1 850	1 500	1 200	34.0
36.0							1 750	1 100	1 450	1 100	800	36.0
38.0							1 200	750	1 050	750		38.0
40.0									750			40.0
42.0												42.0
44.0												44.0
46.0												46.0
48.0												48.0
50.0												50.0
52.0												52.0
54.0												54.0
56.0												56.0

This information is not for crane operation. Operator must refer to the in-cab information for crane operation. Rated lifting capacities shown on fully extended outriggers do not exceed 75%/ISO of the tipping loads and on tires do not exceed 65%/ISO of the tipping loads.

3mt Counterweight - Fully Extended Outriggers - 360° Rotation (All Capacities Are Listed In Kilograms)												
Radius (m)	Boom Length (m)											Radius (m)
	13	17.4-17.7	21.9-22.5	26.4-27.5	31.0-32.5	35.7-37.1	40.4-41.5	45.6-45.9	50.1-50.7	55.1-55.6	60.1	
3.0	101 050	86 950	78 550									3.0
3.5	91 800	86 950	74 150	42 200								3.5
4.0	83 950	85 200	70 200	63 050								4.0
4.5	77 200	78 500	66 650	59 600								4.5
5.0	69 450	71 100	63 350	56 450	46 000							5.0
6.0	55 650	57 800	57 350	51 050	46 550	35 900						6.0
7.0	42 500	45 750	46 600	43 950	42 550	35 900	27 800					7.0
8.0	32 300	35 550	36 600	36 800	36 450	35 700	27 800	20 800				8.0
9.0	24 700	27 950	29 100	29 300	28 950	29 800	27 550	20 800	16 050			9.0
10.0	19 450	22 650	24 150	24 700	24 700	24 300	23 550	20 800	16 050	12 000		10.0
12.0		15 650	17 200	17 700	18 050	18 000	17 650	17 000	16 050	12 700	10 200	12.0
14.0		11 400	12 900	13 450	13 750	13 750	13 700	12 800	13 150	12 000	10 200	14.0
16.0			9 950	10 550	10 850	10 800	10 750	9 900	10 250	9 850	9 450	16.0
18.0			7 800	8 350	8 700	8 700	8 650	7 850	8 150	7 750	7 450	18.0
20.0				6 750	7 150	7 150	7 100	6 350	6 650	6 300	5 900	20.0
22.0				5 500	5 850	5 900	5 850	5 100	5 450	5 050	4 700	22.0
24.0				4 200	4 850	4 850	4 850	4 100	4 450	4 050	3 700	24.0
26.0					4 000	4 000	4 050	3 300	3 600	3 250	2 900	26.0
28.0					3 300	3 300	3 300	2 650	2 950	2 550	2 250	28.0
30.0						2 700	2 700	2 050	2 350	2 000	1 650	30.0
32.0						2 200	2 200	1 550	1 850	1 500	1 200	32.0
34.0							1 750	1 100	1 400	1 100	750	34.0
36.0							1 350	700	1 050	700		36.0
38.0							800		700			38.0
40.0												40.0
42.0												42.0
44.0												44.0
46.0												46.0
48.0												48.0
50.0												50.0
52.0												52.0
54.0												54.0
56.0												56.0

This information is not for crane operation. Operator must refer to the in-cab information for crane operation. Rated lifting capacities shown on fully extended outriggers do not exceed 75%/ISO of the tipping loads and on tires do not exceed 65%/ISO of the tipping loads.

0/1mt Counterweight - Fully Extended Outriggers - 360° Rotation (All Capacities Are Listed In Kilograms)												
Radius (m)	Boom Length (m)											Radius (m)
	13	17.4-17.7	21.9-22.5	26.4-27.5	31.0-32.5	35.7-37.1	40.4-41.5	45.6-45.9	50.1-50.7	55.1-55.6	60.1	
3.0	100 000	86 950	78 550									3.0
3.5	90 800	86 950	74 150	42 200								3.5
4.0	83 000	84 300	70 200	63 050								4.0
4.5	75 650	77 350	66 650	59 600								4.5
5.0	67 700	69 450	63 350	56 450	46 000							5.0
6.0	53 500	55 600	55 200	51 050	46 550	35 900						6.0
7.0	38 650	41 900	43 100	43 000	40 950	35 900	27 800					7.0
8.0	28 350	31 750	32 950	33 200	32 800	31 950	27 800	20 800				8.0
9.0	21 500	24 750	26 350	26 400	27 000	26 550	25 700	20 800	16 050			9.0
10.0	16 750	19 950	21 450	22 050	22 050	21 650	22 000	20 300	16 050	12 000		10.0
12.0		13 600	15 150	15 650	16 000	15 950	15 900	15 000	14 500	12 700	10 200	12.0
14.0		9 700	11 250	11 750	12 100	12 050	12 000	11 150	11 500	11 050	10 200	14.0
16.0			8 500	9 150	9 450	9 400	9 350	8 500	8 850	8 450	8 050	16.0
18.0			6 600	7 200	7 550	7 550	7 500	6 700	7 050	6 650	6 250	18.0
20.0				5 700	6 100	6 100	6 050	5 300	5 600	5 200	4 850	20.0
22.0				4 550	4 900	4 950	4 900	4 150	4 500	4 100	3 750	22.0
24.0				3 350	4 000	4 000	4 000	3 250	3 600	3 200	2 850	24.0
26.0					3 200	3 250	3 250	2 550	2 850	2 500	2 150	26.0
28.0					2 550	2 600	2 600	1 950	2 200	1 850	1 550	28.0
30.0						2 050	2 050	1 400	1 700	1 350	1 000	30.0
32.0							1 600	1 600	950	1 250	900	32.0
34.0								1 200		850		34.0
36.0								850				36.0
38.0												38.0
40.0												40.0
42.0												42.0
44.0												44.0
46.0												46.0
48.0												48.0
50.0												50.0
52.0												52.0
54.0												54.0
56.0												56.0

This information is not for crane operation. Operator must refer to the in-cab information for crane operation. Rated lifting capacities shown on fully extended outriggers do not exceed 75%/ISO of the tipping loads and on tires do not exceed 65%/ISO of the tipping loads.

Link-Belt Cranes Lexington, Kentucky www.linkbelt.com

®Link-Belt is a registered trademark. Copyright 2019 We are constantly improving our products and therefore reserve the right to change designs and specifications.