

All new 2016!

Cummins QSB 6.7 liter upper engine

- 250 hp (186 kW)
- 685 ft-lbs (929 Nm) of torque
- Tier 4f/StageIV off-highway emissions
 - Diesel particulate filter (DPF)
 - Selective catalyst reduction (SCR)

Superstructure

- All temperature hydraulic oil lube and anti-freeze
- Auto lube for:
 - Turntable bearing
 - Boom foot pins
 - Boom hoist cylinder pins
 - Cab tilt cylinder pins
 - Cameras automatically let you view winch operation and swing

Driver's cab

- AM / FM Radio
- Overhead console with storage

Operator's cab

- Link-Belt Pulse with telematics

New features apply to standard and LB models



Link-Belt
C R A N E S



HTG 3140

140 USt (120 mt) Telescopic Truck Crane

All new 2016!

Carrier

- All temperature hydraulic oil, lube and anti-freeze
- Standard amber strobe light
- LED lighting and halogen daytime running headlights
- Cameras automatically let you view backing up and when making a right turn
- Side-to-side suspension control
- Auto lube for:
 - Suspension cylinder pins
 - Steering components
 - Drag links, tie rods and king pins

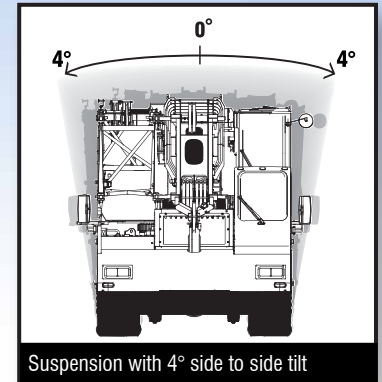
Cummins ISX 15 liter carrier engine

- 581 hp (434 kW)
- 1,850 ft-lbs (2 508 Nm) of torque
- 2013 EPA on-highway emissions
 - Diesel particular filter (DPF)
 - Selective catalyst reduction (SCR)

New features apply to standard and LB models

3140

140 USt (120 mt) Telescopic Truck Crane



Link-Belt
C R A N E S

©Link-Belt is a registered trademark. Copyright 2015
All rights reserved. We reserve the right to change
designs and specifications at any time. Litho in U.S.A.
11/15 1605 #4479